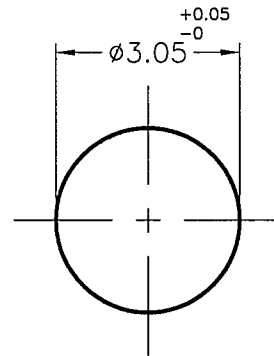
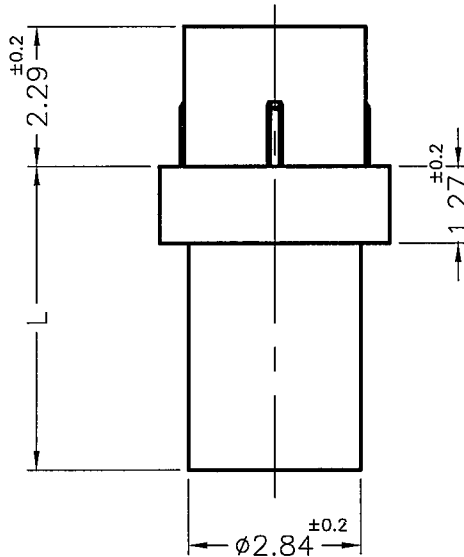
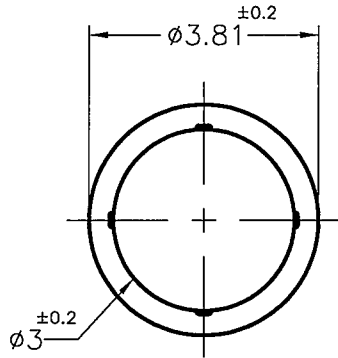


DIM.	TOL
5mm DOWN	±0.2
5~20mm	±0.3
20~40mm	±0.4
40~60mm	±0.5
60~100mm	±0.8
100mm UP	±1.0

PART NO.	L
EMP1-2.5V0-F	2.5
EMP1-3.2V0-F	3.2
EMP1-4.8V0-F	4.8
EMP1-5V0-F	5.0
EMP1-7V0-F	7.0
EMP1-6.4V0-F	6.4
EMP1-8V0-F	8.0
EMP1-8.9V0-F	8.9
EMP1-9.5V0-F	9.5
EMP1-10V0-F	10.0
EMP1-12.7V0-F	12.7
EMP1-15.9V0-F	15.9
EMP1-19V0-F	19.0
EMP1-21V0-F	21.1



RECOMMEND MOUNTING HOLE

NOTE:MADE OF EQUIVALENT MATERIAL.
均可使用同等材質.



康揚企業股份有限公司
KANG YANG HARDWARE ENTERPRISE CO., LTD.
康揚塑膠(東莞)有限公司
KANG YANG PLASTIC(DONG GUAN)CO.,LTD.
康哲電腦配件(吳江)有限公司
KANG CHE COMPUTER COMPONENTS(WUJIANG)CO.,LTD.

PROPRIETARY AND CONFIDENTIAL THE INFORMATION CONTAINED IN THIS DRAWING IS THE SOLE PROPERTY OF KANG YANG HARDWARE ENTERPRISE CO. ANY REPRODUCTION IN PART OR AS A WHOLE WITHOUT THE WRITTEN PERMISSION OF KANG YANG HARDWARE ENTERPRISE CO. IS PROHIBITED. DO NOT SCALE DRAWING	DATE	2002.01.17	TITLE	LIGHT PIPE		DWG. NO.	PART NO.		
	DRAWN	JASON	MATERIAL	PC UL94V-0		EMP1-HV0-F		SEE ABOVE	
	CHECKED	李怡宥	COLOR	FINISH	TRANSPARENT	SIZE	A4	REV	
	APPROVED	Kang	UNLESS OTHERWISE SPECIFIED TOLERANCE:		SEE ABOVE	SPEC. DWG.		E	
						SCALE: 8:1	UNIT	mm	SHEET 1 OF 1