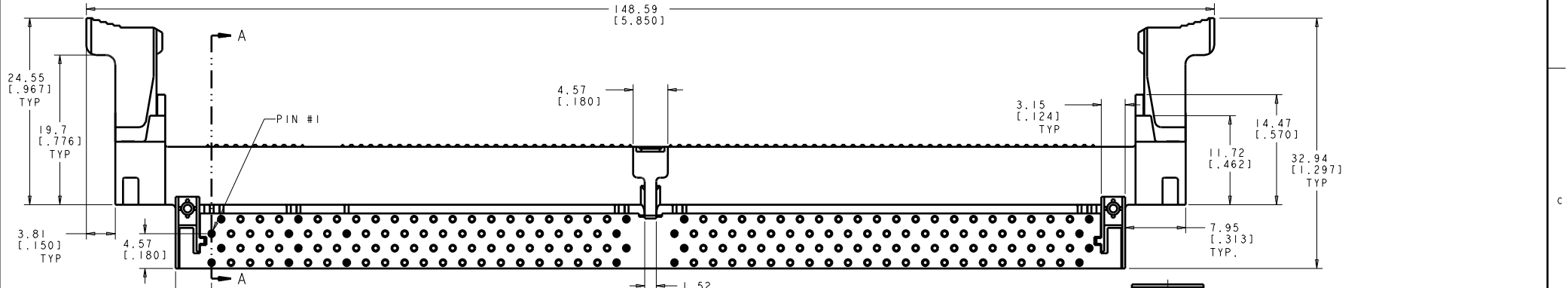
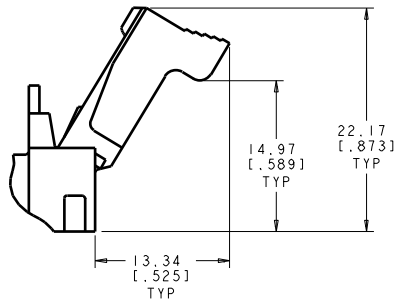


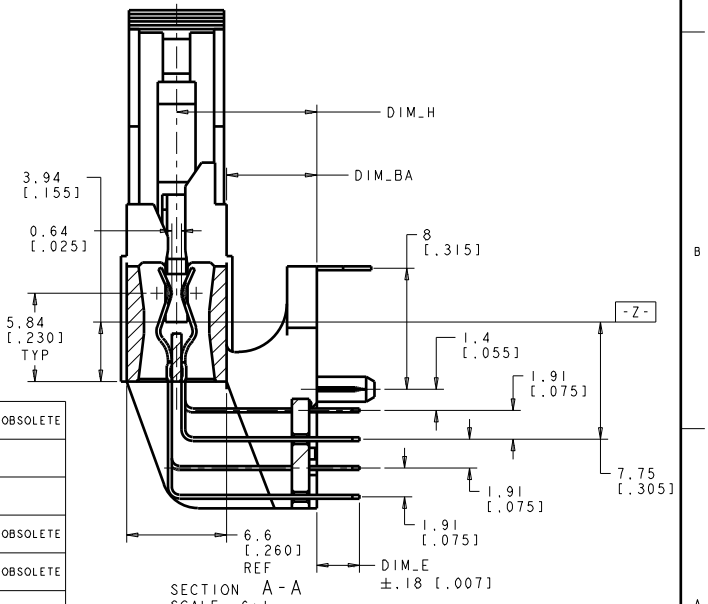
REV	DATE	DESCRIPTION	BY	CHK	APPV
0					
1	20APR11	REVISED PER ECO-11-005033	RK	HML	



- ▲ MATERIAL:
 HOUSING: HIGH TEMPERATURE NYLON
 CONTACT: PHOSPHOR BRONZE
- ▲ FINISH:
 CONTACT AREA:
 0.00076 [.000030] MIN THICK GOLD OVER
 0.001270 [.000050] MIN THICK NICKEL.
 OR
 0.000076 [.000003] MIN THICK GOLD FLASH OVER
 0.000510 [.000020] MIN THICK PALLADIUM NICKEL OVER
 0.001270 [.000050] MIN THICK NICKEL.
 SOLDERTAIL:
 0.00381 [.000150] MIN THICK MATTE TIN OVER
 0.00064 [.000025] MIN THICK NICKEL.
- ▲ FOR OPTIMUM PERFORMANCE, PADS SHOULD BE SMOOTH AND FLAT PADS TO BE PLATED WITH:
 0.00102 [.000040] MIN THICK GOLD OVER
 0.00127 [.000050] MIN THICK NICKEL.
- ▲ 5390171-6 IS SAME CONNECTOR AS 1-5390171-0 EXCEPT WITH LUBRICATED CONTACTS.



EXTRACTOR SHOWN IN THE OPEN POSITION



SECTION A-A
SCALE 6:1

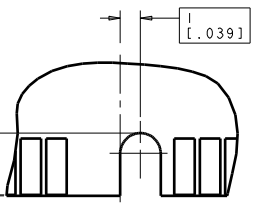
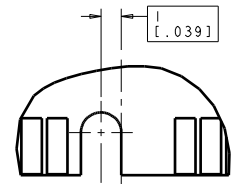
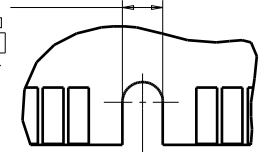
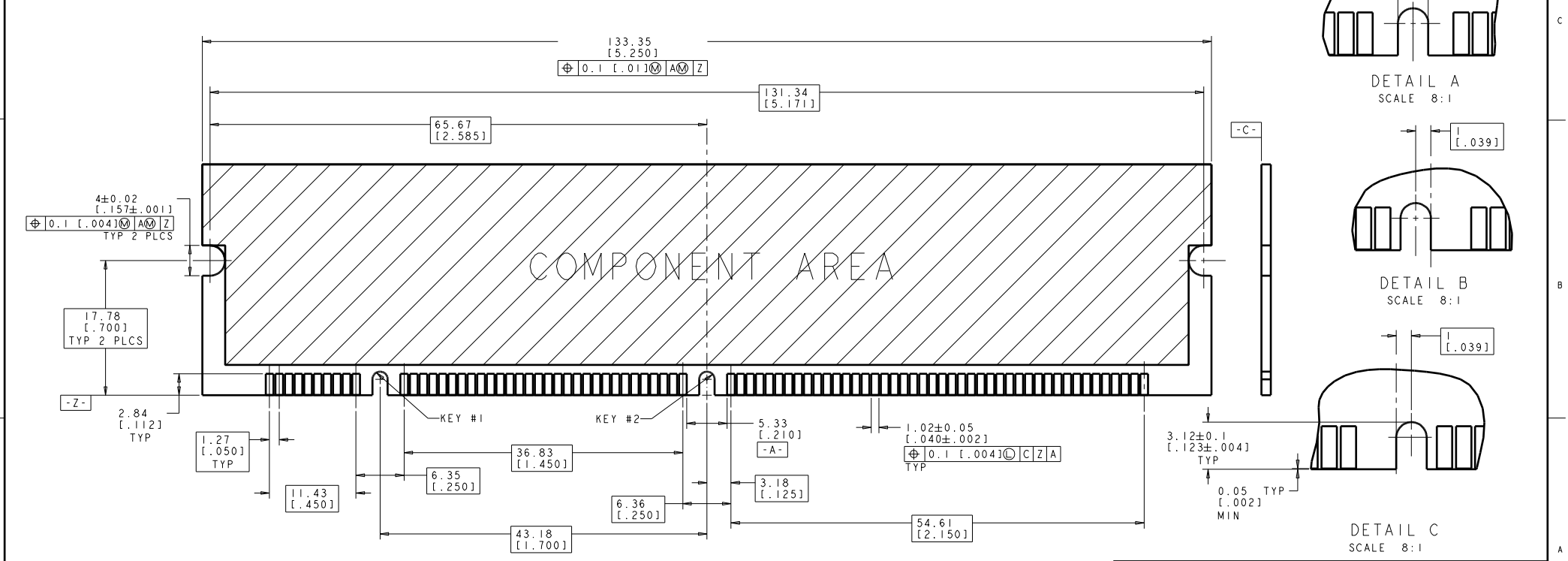
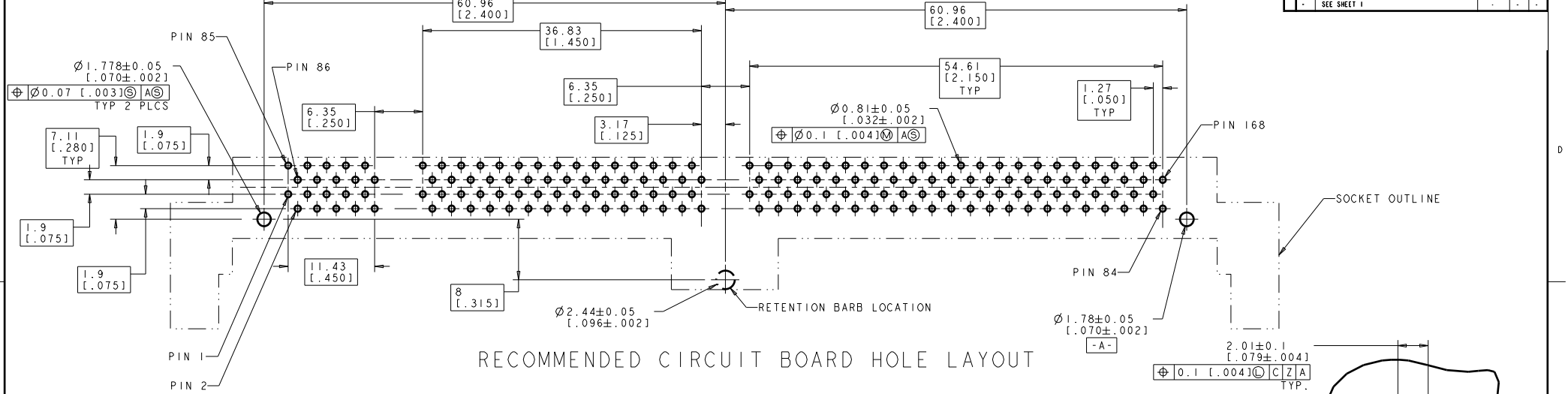
NB	3.3	10.92 [.430]	18.03 [.710]	14.22 [.560]	3.68 [.145]	7.62 [.300]	DETAIL C	DETAIL A	SYNC NON-BUFFERED DRAM, 3.3 VOLT	2-5390171-6	OBSOLETE
NB	3.3	10.92 [.430]	18.03 [.710]	14.22 [.560]	3.18 [.125]	7.62 [.300]	DETAIL C	DETAIL A	SYNC NON-BUFFERED DRAM, 3.3 VOLT	1-5390171-6	
SYNC	3.3	10.92 [.430]	18.03 [.710]	14.22 [.560]	3.18 [.125]	7.62 [.300]	DETAIL B	DETAIL A	SYNC DRAM, 3.3 VOLT	1-5390171-5	
STD	3.3	10.92 [.430]	18.03 [.710]	14.22 [.560]	3.18 [.125]	7.62 [.300]	DETAIL A	DETAIL A	STD DRAM, 3.3 VOLT	1-5390171-4	OBSOLETE
NB	3.3	9.27 [.365]	16.38 [.645]	12.57 [.495]	2.83 [.112]	5.97 [.235]	DETAIL C	DETAIL A	SYNC NON-BUFFERED DRAM, 3.3 VOLT	1-5390171-0	OBSOLETE
NB	3.3	9.27 [.365]	16.38 [.645]	12.57 [.495]	2.83 [.112]	5.97 [.235]	DETAIL C	DETAIL A	SYNC NON-BUFFERED DRAM, 3.3 VOLT	5390171-6	
SYNC	3.3	9.27 [.365]	16.38 [.645]	12.57 [.495]	2.83 [.112]	5.97 [.235]	DETAIL B	DETAIL A	SYNC DRAM, 3.3 VOLT	5390171-5	OBSOLETE
STD	3.3	9.27 [.365]	16.38 [.645]	12.57 [.495]	2.83 [.112]	5.97 [.235]	DETAIL A	DETAIL A	STD DRAM, 3.3 VOLT	5390171-4	OBSOLETE
TYPE	Y.Y	DIM_H	DIM_G	DIM_F	DIM_E ±.18 [0.07]	DIM_BA	KEY #1	KEY #2	PART DESCRIPTION	PART NUMBER	

DIMENSIONS: mm [INCHES]		DESIGNED BY: J. YEOMANS DATE: 11 JAN 05 DRAWN BY: J. YEOMANS DATE: 11 JAN 05 CHECKED BY: J. YEOMANS DATE: 11 JAN 05 APPLICATION SPEC:		REV: 0 DATE: 11 JAN 05 BY: J. YEOMANS REASON:	
MATERIAL:		FINISH:		CUSTOMER DRAWING:	
PART NUMBER: A100779		PART NUMBER: 5390171		SCALE: 4:1	

SOCKET, DIMM., DRO, RT ANGLE, 168 POSITION, 17.78mm LOCKING EXTRACTORS.

THIS DRAWING IS UNCLASSIFIED
 RELEASED FOR PUBLICATION
 ALL RIGHTS RESERVED

REV	DATE	DESCRIPTION	BY	CHKD	APP'D
0		SEE SHEET 1			



RECOMMENDED MODULE LAYOUT
 SEE JEDEC SPEC. MO-161 FOR COMPLETE MODULE DETAILS
 1.27 ± 0.10 [0.050 ± 0.004] THICK ACROSS CONTACT PADS

DIMENSIONS mm [INCHES]		DESIGNED BY: J. YEOMANS DRAWN BY: J. YEOMANS CHECKED BY: J. YEOMANS DATE: 03/13/05		REV: 1 DATE: 03/13/05	
MATERIAL:		FINISH:		TITLE: SOCKET, DIMM., DRO, RT ANGLE, 168 POSITION, 17.78mm LOCKING EXTRACTORS.	
PART NUMBER: A100779		DRAWING NO: 5390171		SCALE: 1:1	
CUSTOMER DRAWING		SHEET 2 OF 2		REV: C2	