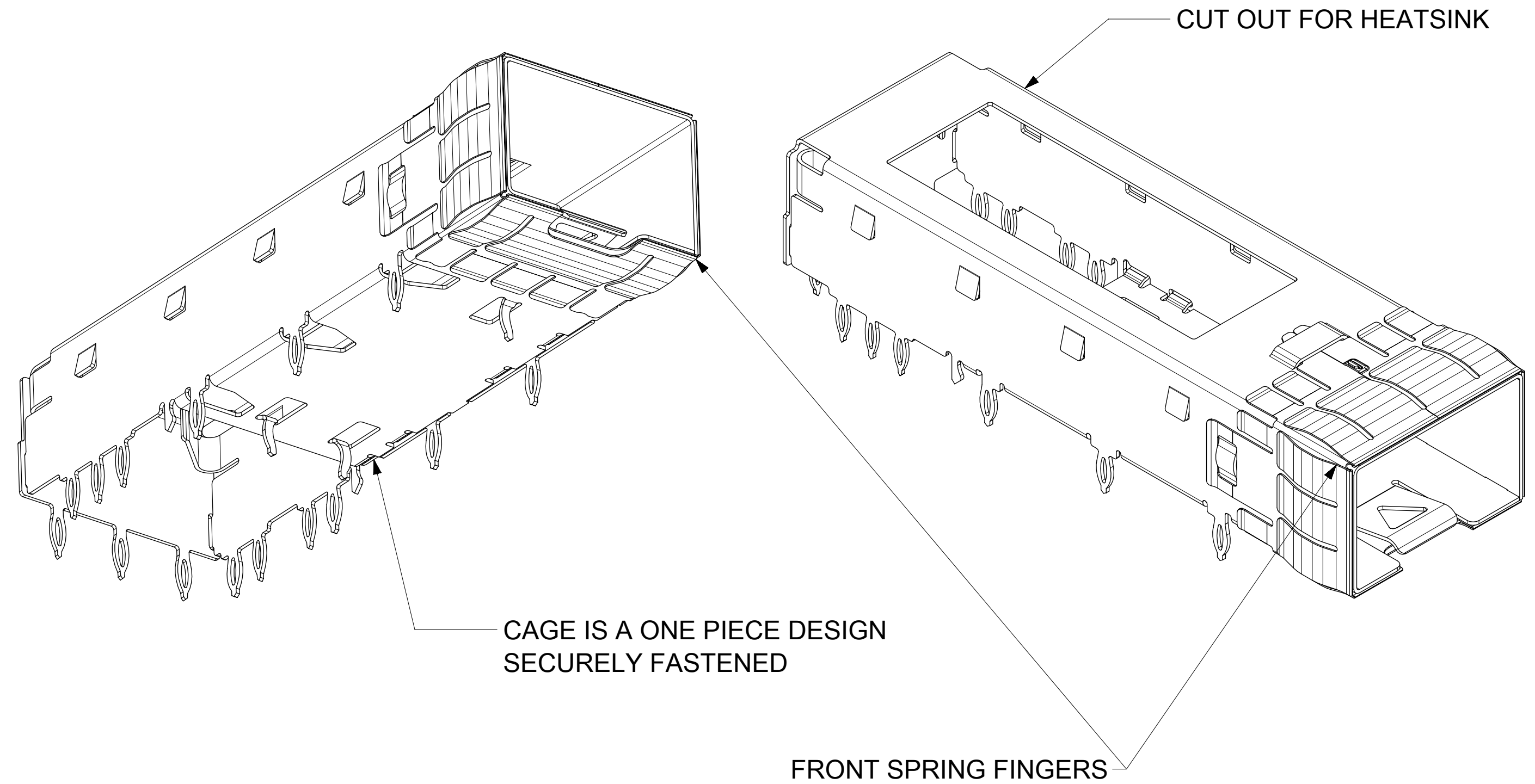
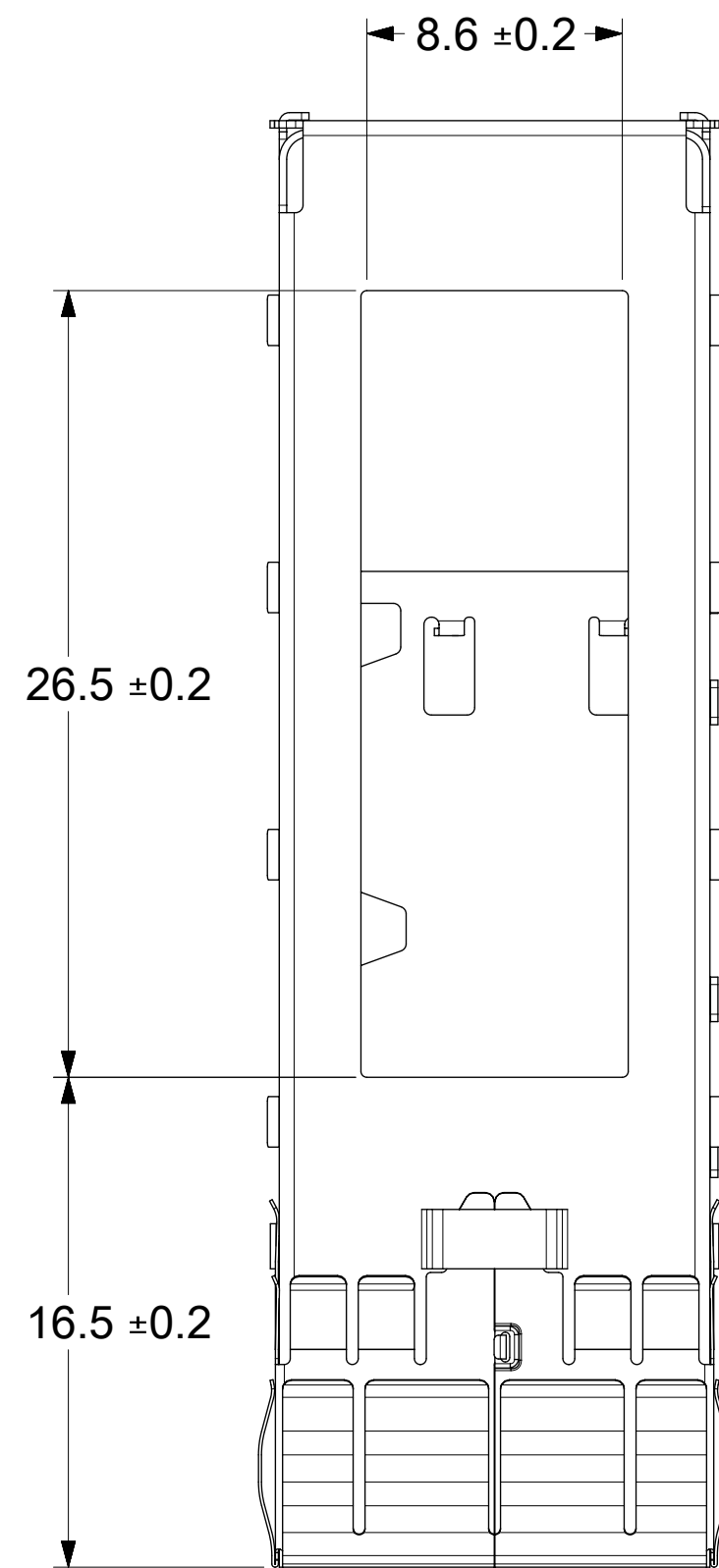
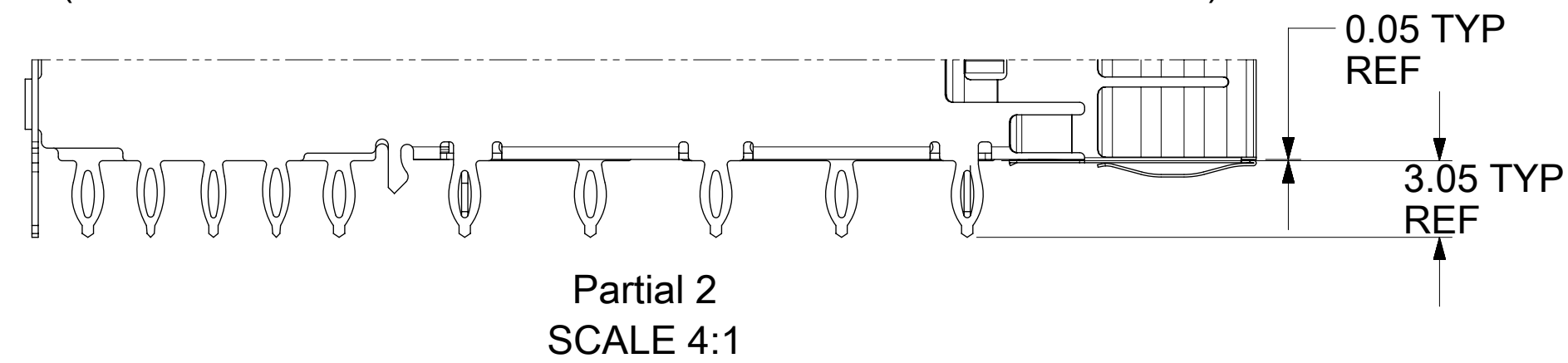


111128101 SHOWN

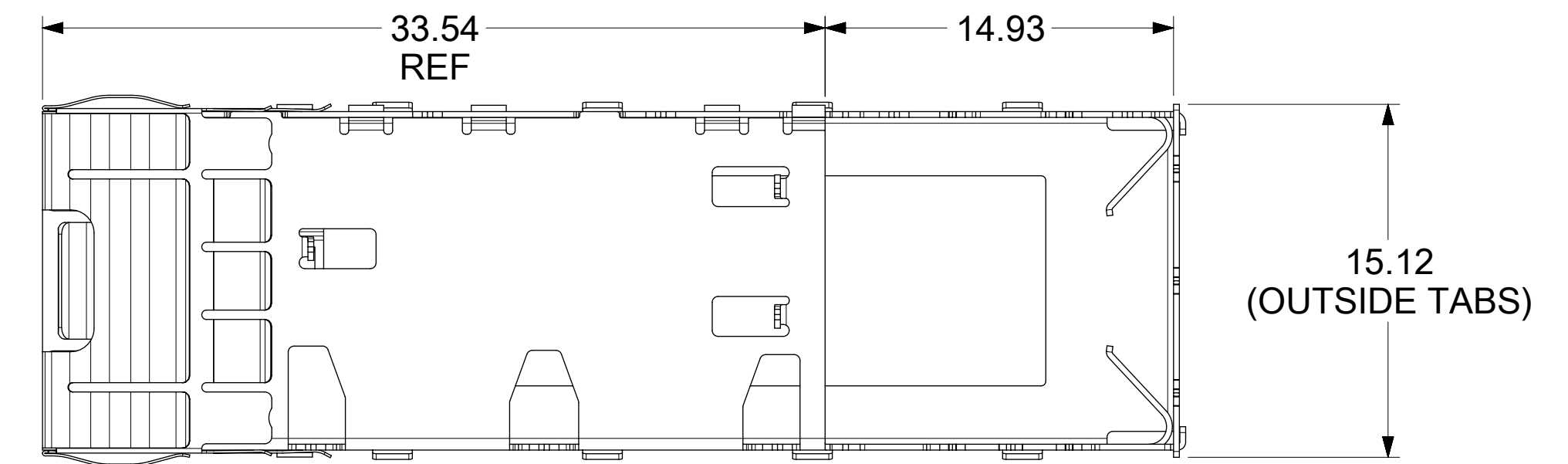
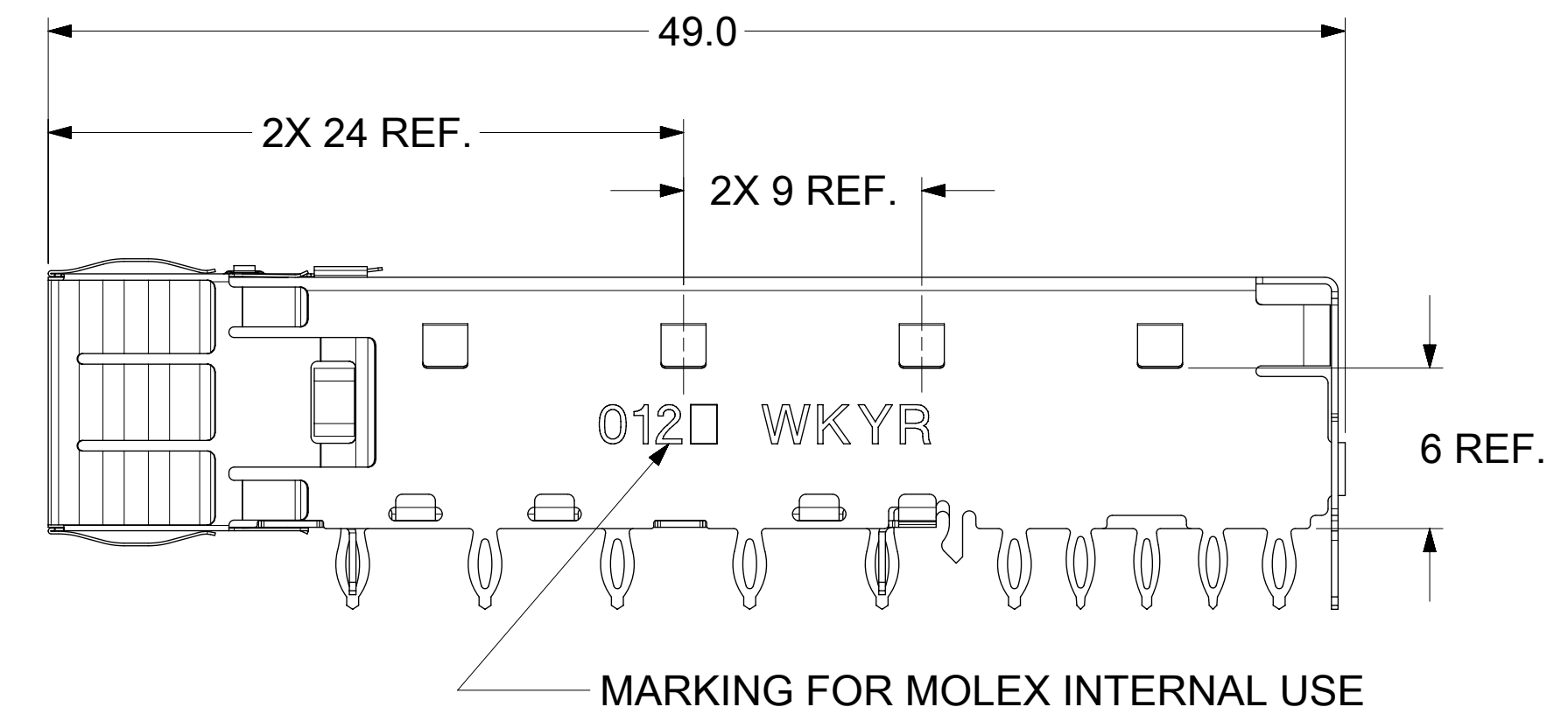
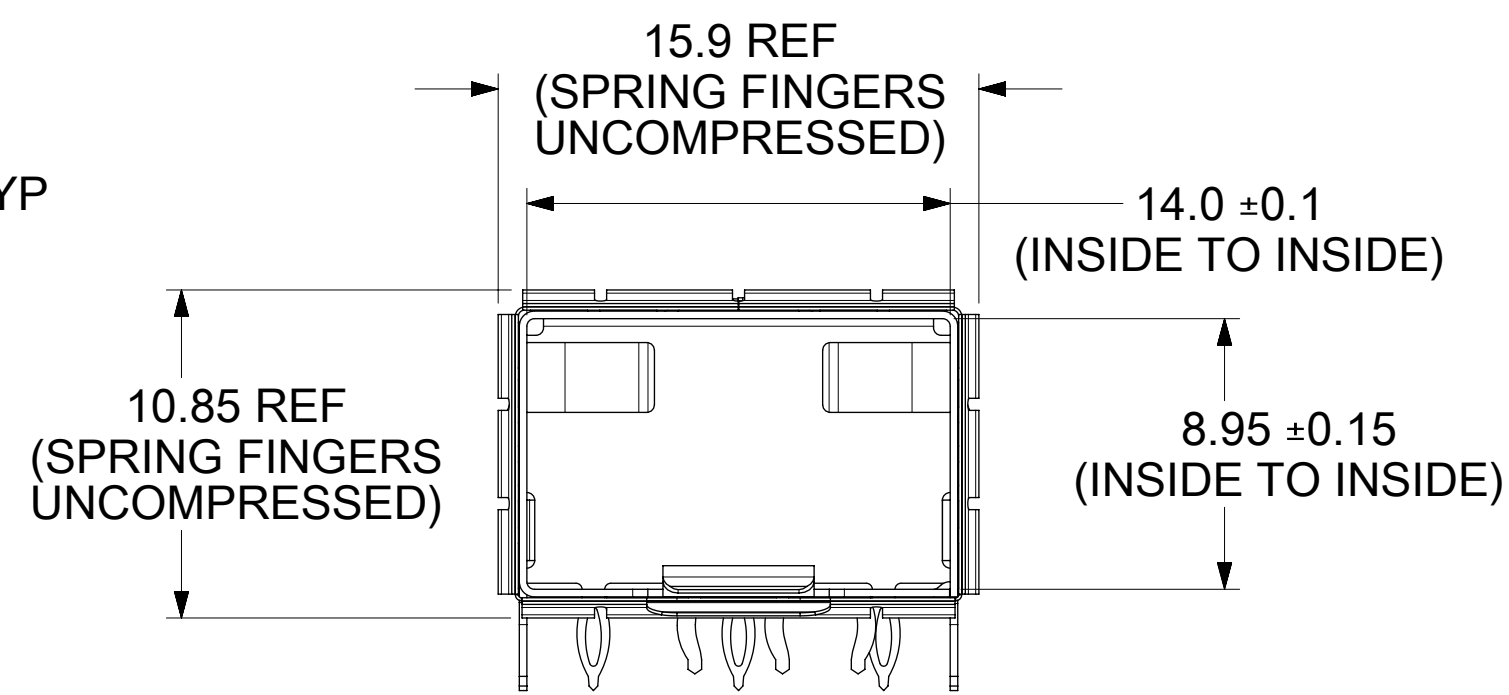
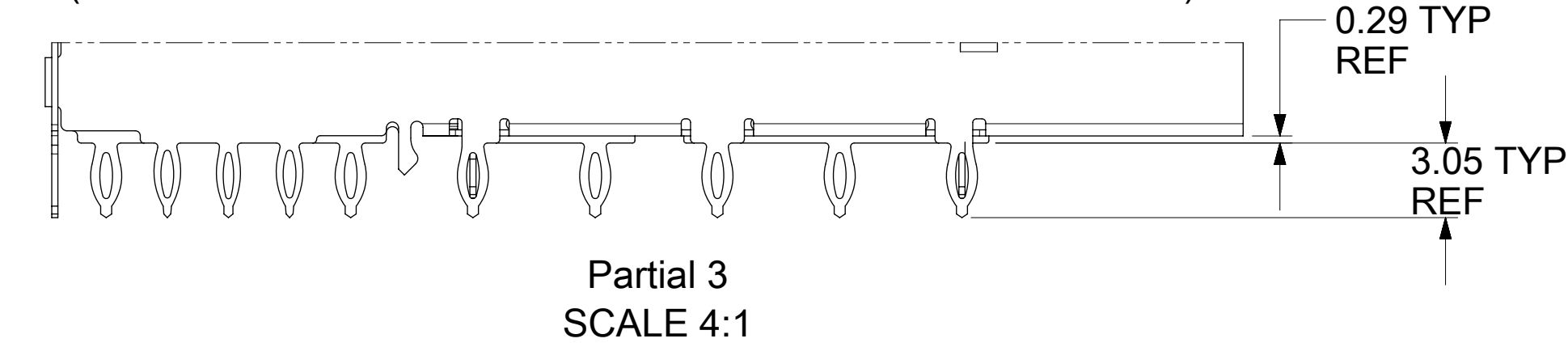
HEATSINK AND HEATSINK SPRING CLIP
REMOVED TO SHOW CAGE DETAIL
PART NUMBER 111112-8101 SHOWN



STANDARD CAGE 111112-0101
(SPRING FINGER REMOVED FROM THIS VIEW FOR CLARITY)



SPECIAL CAGE 111112-0117 WITH LENGTHENED PRESS FIT PINS
(SPRING FINGER REMOVED FROM THIS VIEW FOR CLARITY)



- NOTES:
- MATERIAL:
CAGE: 0.25mm THICK COPPER ALLOY, NICKEL PLATED.
FRONT SPRING FINGERS: STAINLESS STEEL.
HEATSINK: ALUMINUM, NICKEL PLATED.
HEATSINK SPRING CLIP: STAINLESS STEEL.
 - PRESS FIT LEGS 3.05mm LONG:
1.57mm MINIMUM PCB THICKNESS FOR SINGLE SIDED USE.
 - PORTS ARE DESIGNED FOR SFP+ TRANSCEIVERS AND ARE COMPATIBLE WITH SFP TRANSCEIVERS.
THE TOP SURFACE OF THE MODULE MUST BE FLAT (NO PRODUCT LABEL RECESS) AND THERMALLY CONDUCTIVE TO FUNCTION OPTIMALLY.
 - WELD SPOTS WILL SHOW SLIGHT MATERIAL DISCOLORATION.
 - NO ROHS EXEMPTIONS.
 - CUSTOM HEATSINKS AVAILABLE UPON REQUEST.
 - CAGE ASSEMBLY, HEATSINK, AND HEATSINK SPRING CLIP SHIPPED ASSEMBLED.
 - THE MOLEX CAGE REQUIRES USING THE MOLEX HEATSINK SPRING CLIP.

FUNCTIONAL SYMBOLS	THIS DRAWING CONTAINS INFORMATION THAT IS PROPRIETARY TO MOLEX ELECTRONIC TECHNOLOGIES, LLC AND SHOULD NOT BE USED WITHOUT WRITTEN PERMISSION		CURRENT REV DESC: SEE REVISION TABLE	
	FA = 0	mm	SCALE	4:1
DIVISIONAL SYMBOLS	GENERAL TOLERANCES (UNLESS SPECIFIED)		EC NO: 707262	
	FC = 0	ANGULAR TOL ± 1.0°	DRWN: ABHILT2	2022/04/07
FUNCTIONAL SYMBOLS	4 PLACES	±	CHK'D: TKUMARKC	2022/05/25
	3 PLACES	±	APPR: SCHIEN	2022/05/27
	2 PLACES	± 0.13	INITIAL REVISION:	
	1 PLACE	± 0.25	DRWN: ABHILT2	2022/04/07
DIVISIONAL SYMBOLS	0 PLACES	±	APPR: SCHIEN	2022/05/27
	DRAFT WHERE APPLICABLE MUST REMAIN WITHIN DIMENSIONS		THIRD ANGLE PROJECTION	DRAWING
		D-SIZE		SERIES
		111112		MATERIAL NUMBER
		SEE SHEET 2		CUSTOMER
DOCUMENT STATUS		P1	RELEASE DATE	2022/05/27 10:20:26

molex

SFP+ 1X1 CAGE ASSY PRESS FIT TYPE,
W/ SUS EMI SPRING FINGERS & HEAT SINK

PRODUCT CUSTOMER DRAWING

DOCUMENT NUMBER	DOC TYPE	DOC PART	REVISION
1111128101	PSD	ASY	A

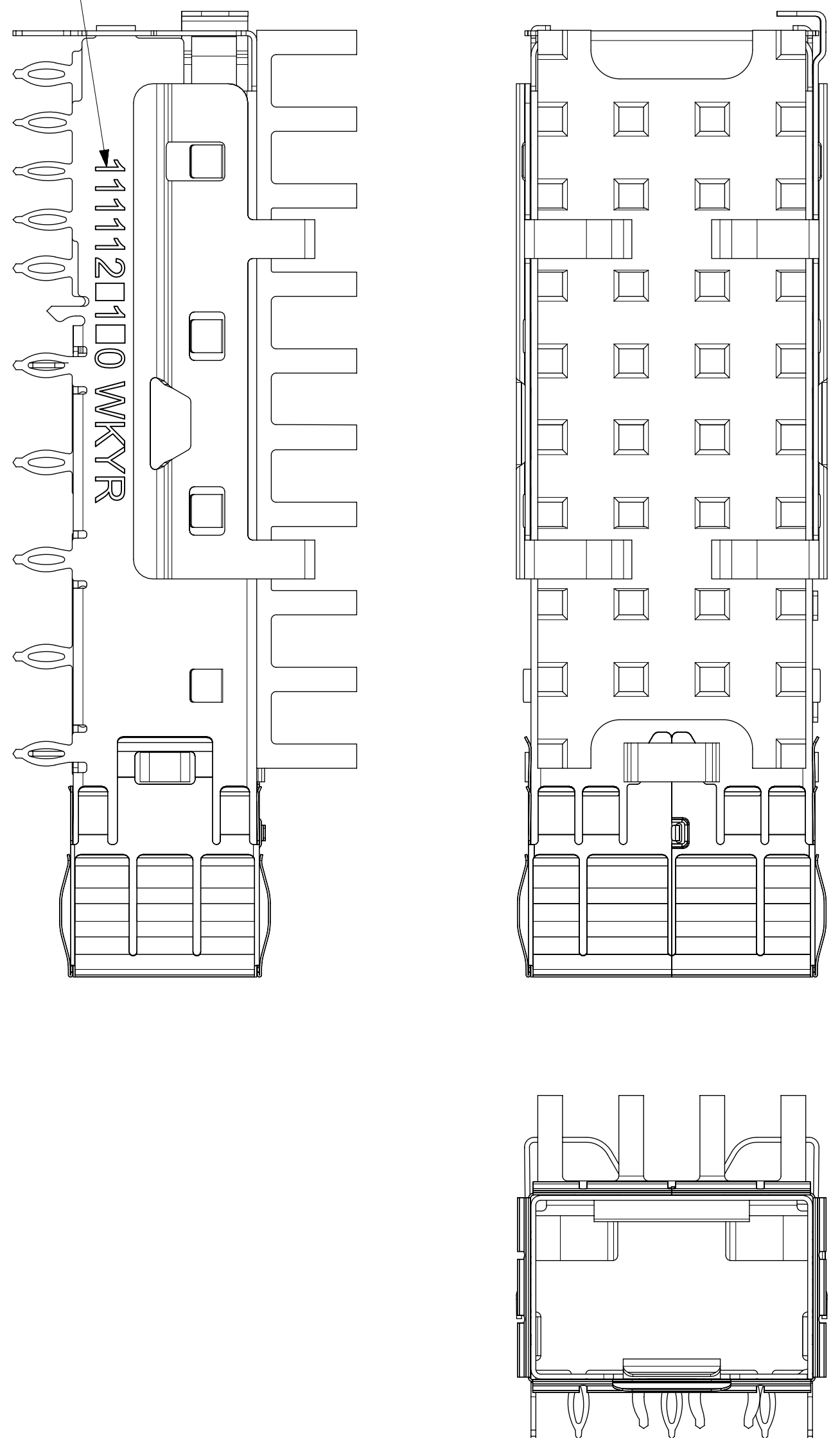
MATERIAL NUMBER	CUSTOMER	SHEET NUMBER
SEE SHEET 2		1 OF 5

111112-9120
SHOWN ASSEMBLED

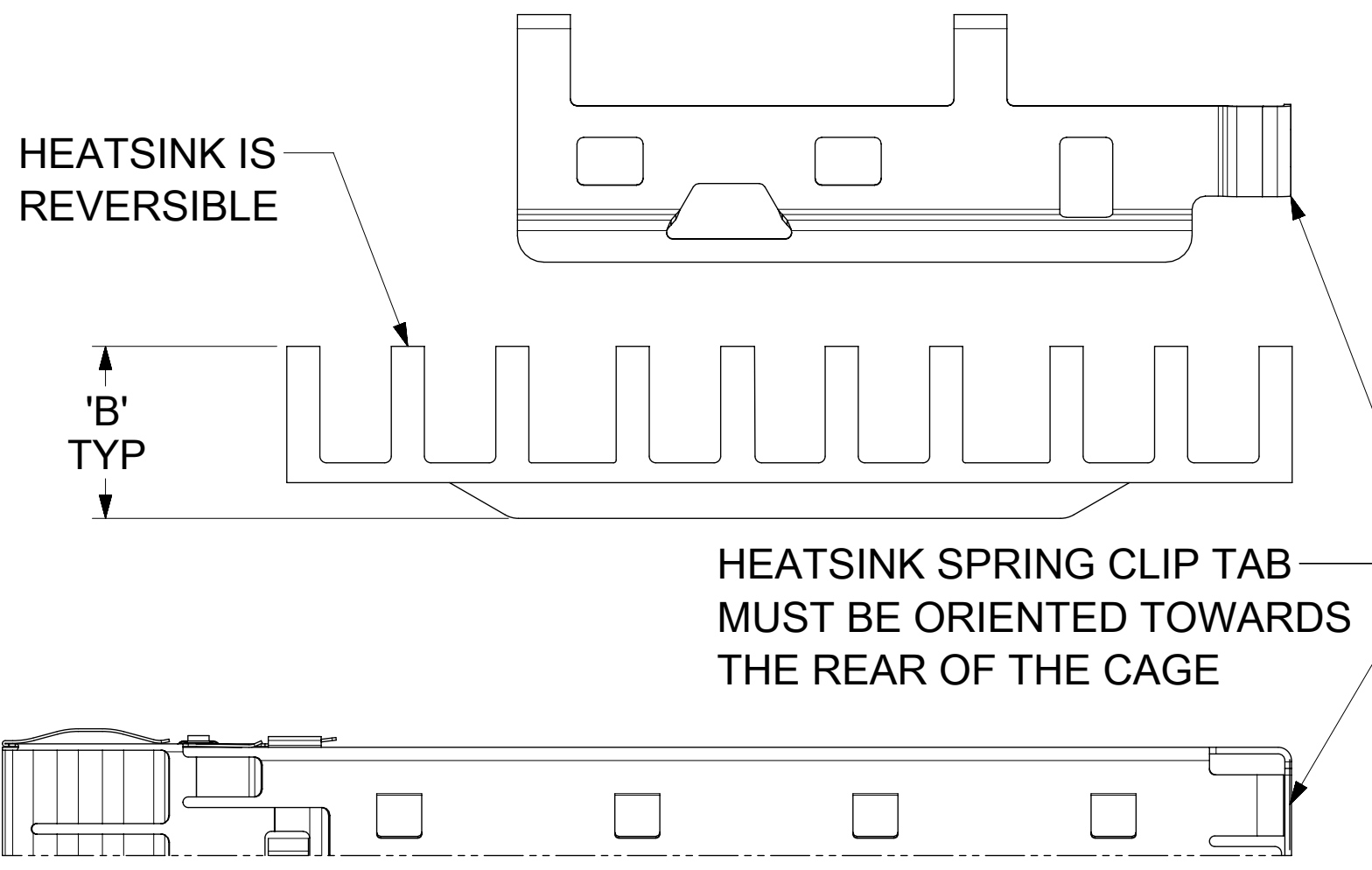
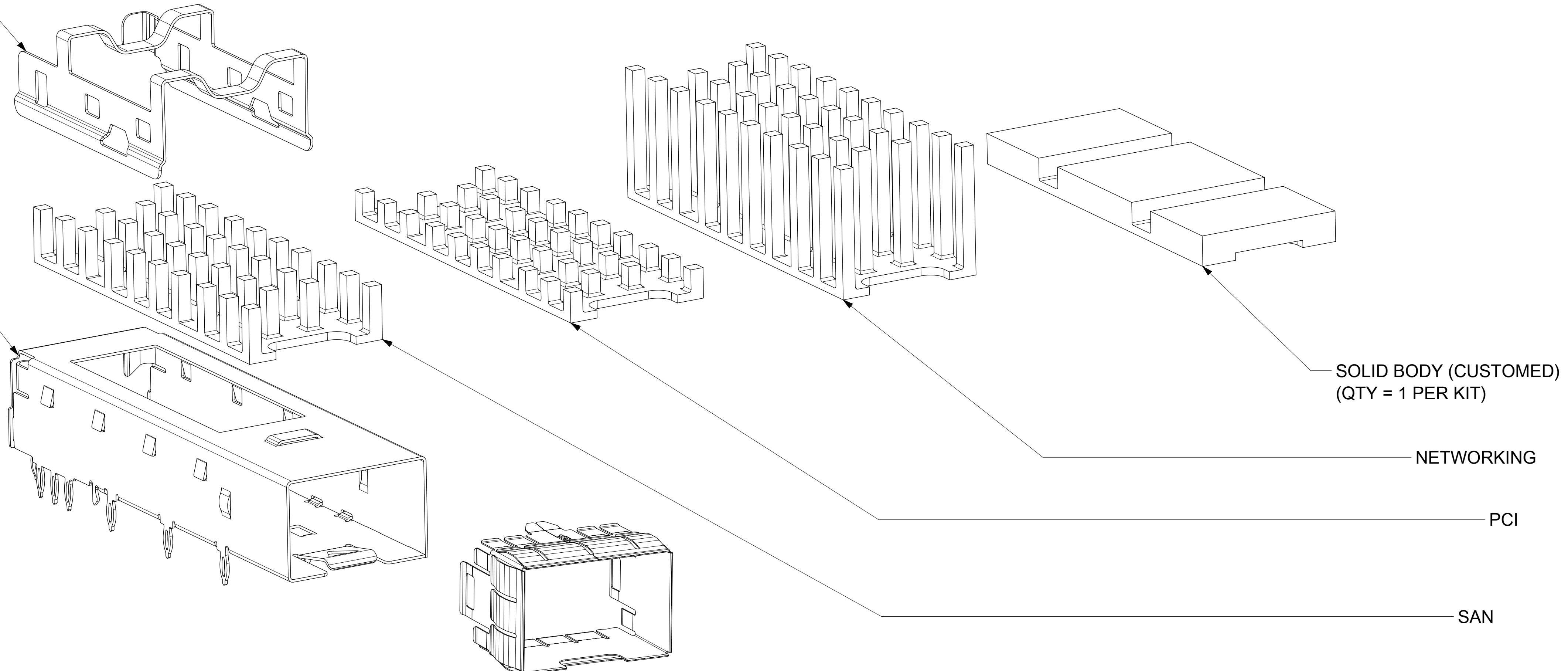
HEATSINK SPRING CLIP
MATERIAL NUMBER
111112-1001
(REFERENCE)

SFP+ CAGE ASSEMBLY
WITH FRONT SPRING FINGERS

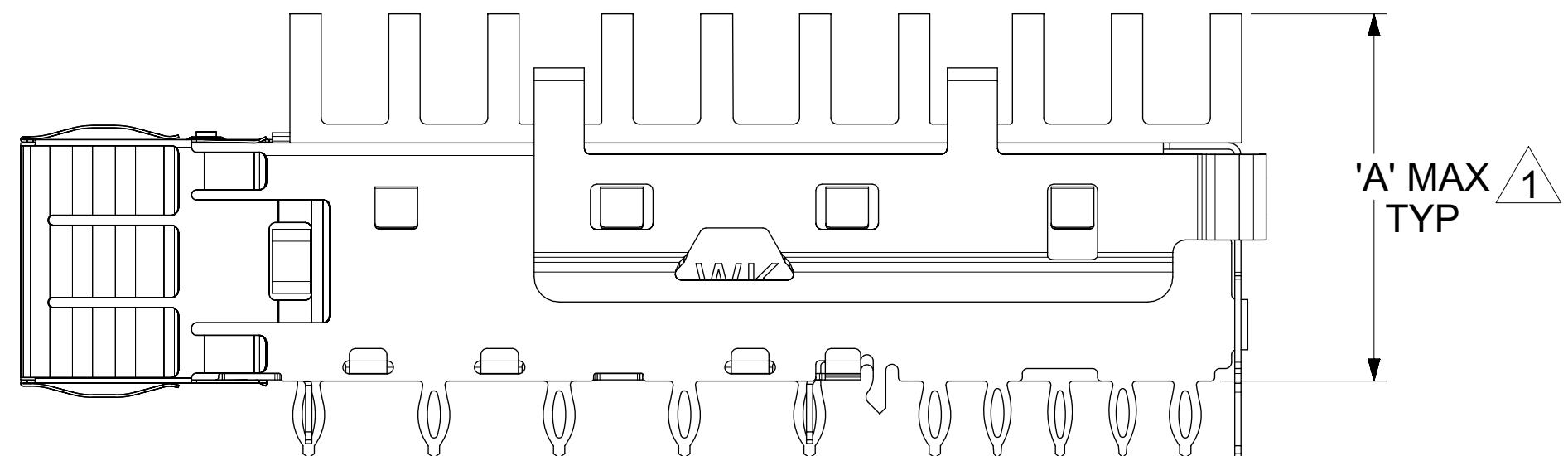
CAGE IDENTIFICATION:
KIT MATERIAL NUMBER
DATE CODE:
WK = WEEK 01 THROUGH 52.
EXAMPLE: 01 = FIRST WEEK OF YEAR, 52 = LAST WEEK OF YEAR
YR = LAST TWO DIGITS OF THE YEAR. 22, 23, 24,
ETC. EXAMPLE: 2022 = 22.



EXPLODED VIEW



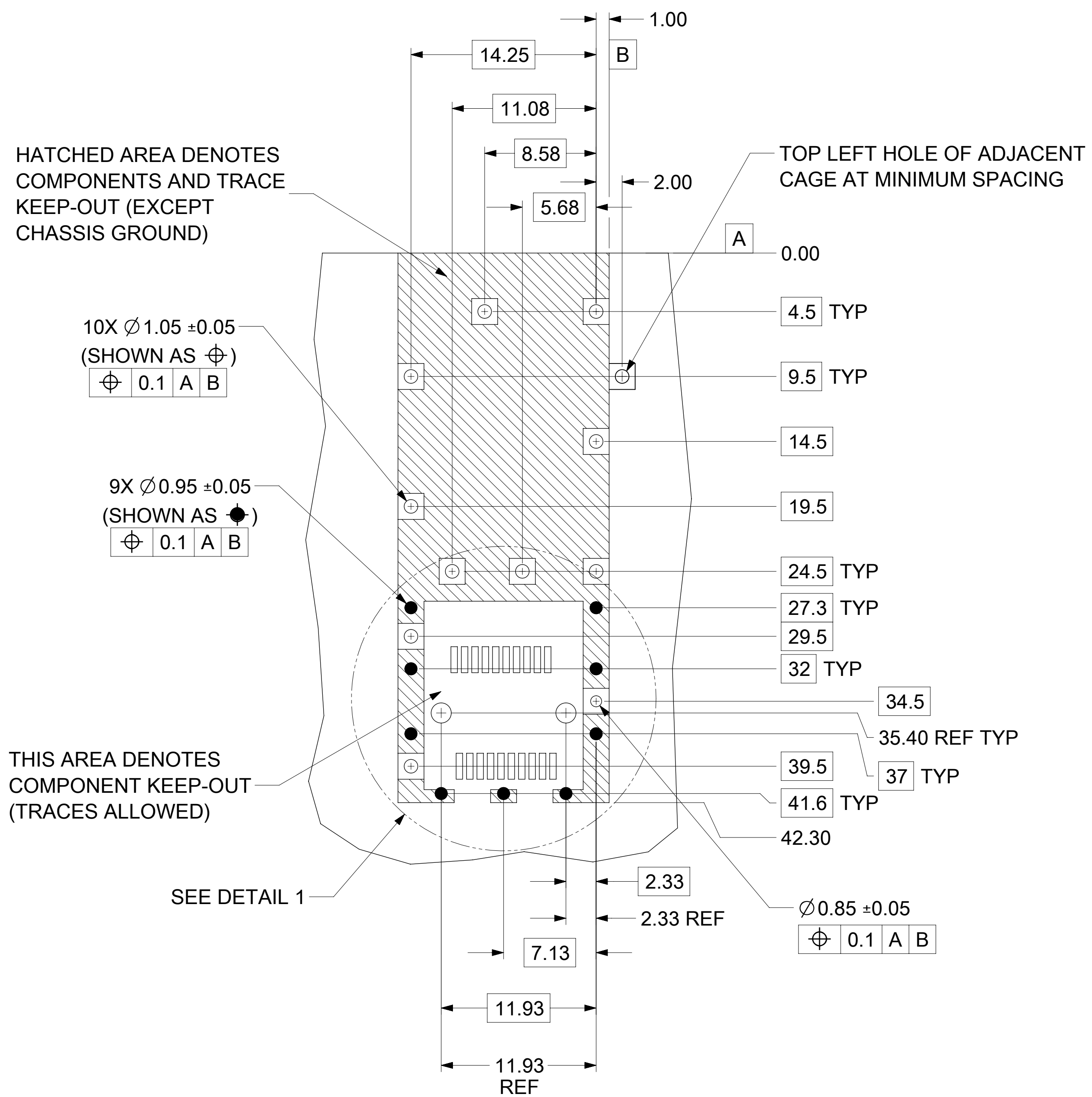
KIT MAT'L NUMBER	APPLICATION	CAGE ASSY	ASSEMBLED DIM 'A'	HEATSINK DIM 'B' (REF)	HEATSINK MAT'L NO. (REF)	POLYIMIDE GASKET ATTACHED
STANDARD CAGE						
111112-8120	PCI	111112-8101	14.0	4.2	111112-2001	NO
111112-9120	SAN	111112-8101	16.3	6.5	111112-2002	NO
111112-7120	NETWORKING	111112-8101	23.3	13.5	111112-2003	NO
111112-8121	SOLID BODY	111112-8101	14.15	4.4	111112-2030	NO



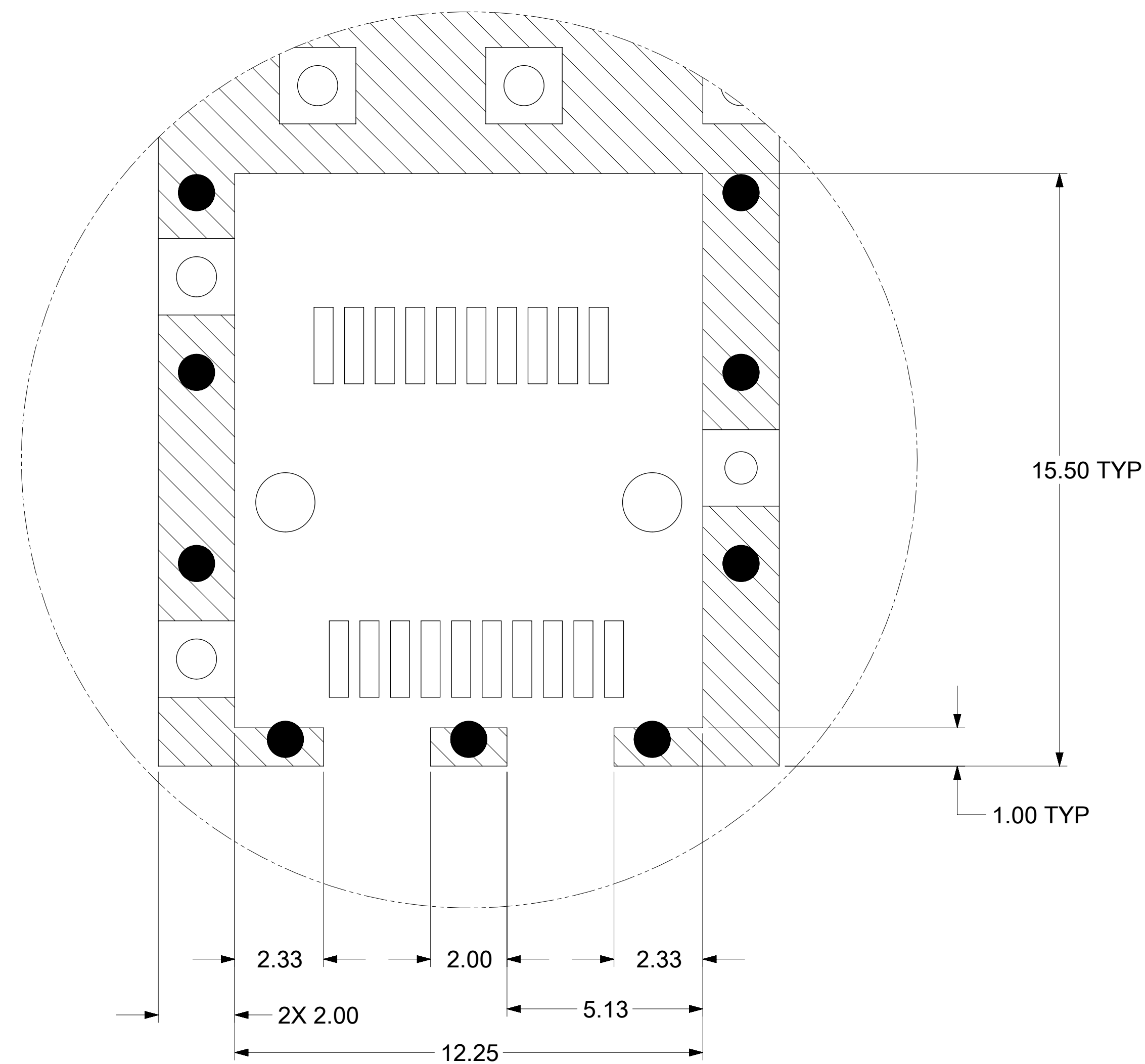
1 HEIGHT OF HEATSINK WITH MODULE INSERTED.
DIMENSION MAY BE LESS DUE TO MODULE AND HEATSINK VARIATIONS.

FUNCTIONAL SYMBOLS FA = 0 EA = 0 FA = 0	THIS DRAWING CONTAINS INFORMATION THAT IS PROPRIETARY TO MOLEX ELECTRONIC TECHNOLOGIES, LLC AND SHOULD NOT BE USED WITHOUT WRITTEN PERMISSION		CURRENT REV DESC: SEE REVISION TABLE		
	DIMENSION UNITS mm	SCALE 4:1			
DIVISIONAL SYMBOLS 4 PLACES ± 3 PLACES ± 2 PLACES ± 0.13 1 PLACE ± 0.25 0 PLACES ±	GENERAL TOLERANCES (UNLESS SPECIFIED) ANGULAR TOL ± 1.0°		EC NO: 707262 DRWN: ABHILT2 CHK'D: TKUMARKC APPR: SCHIEN		
	DRAFT WHERE APPLICABLE MUST REMAIN WITHIN DIMENSIONS		2022/04/07 2022/05/25 2022/05/27		
INITIAL REVISION: DRWN: ABHILT2 APPR: SCHIEN		2022/04/07 2022/05/27		<p>SFP+ 1X1 CAGE ASSY PRESS FIT TYPE, W/ SUS EMI SPRING FINGERS & HEAT SINK</p> <p>PRODUCT CUSTOMER DRAWING</p>	
THIRD ANGLE PROJECTION		DRAWING SERIES D-SIZE 111112			
DOCUMENT NUMBER		MATERIAL NUMBER		CUSTOMER	
1111128101		SEE SHEET 2		PSD ASY A	
DOCUMENT NUMBER		SHEET NUMBER		2 OF 5	

PCB LAYOUT FOR SINGLE SIDE MOUNT



HOST CONNECTOR DETAIL



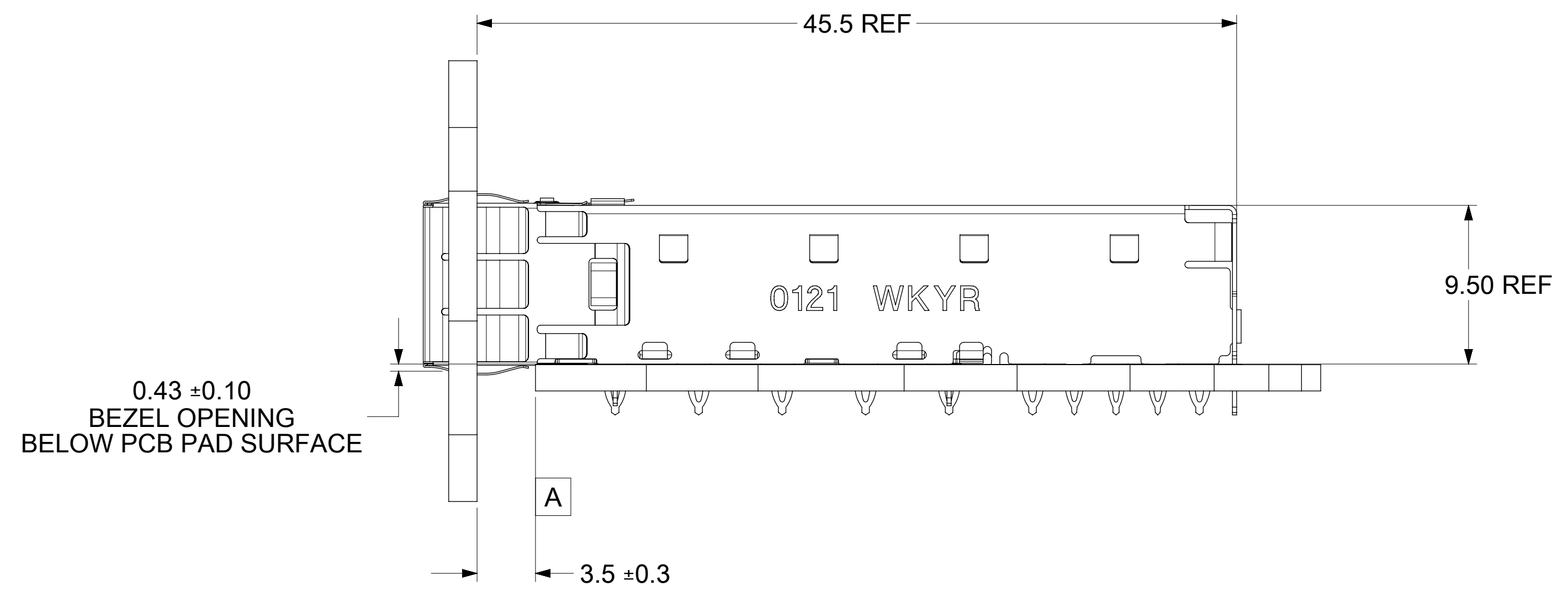
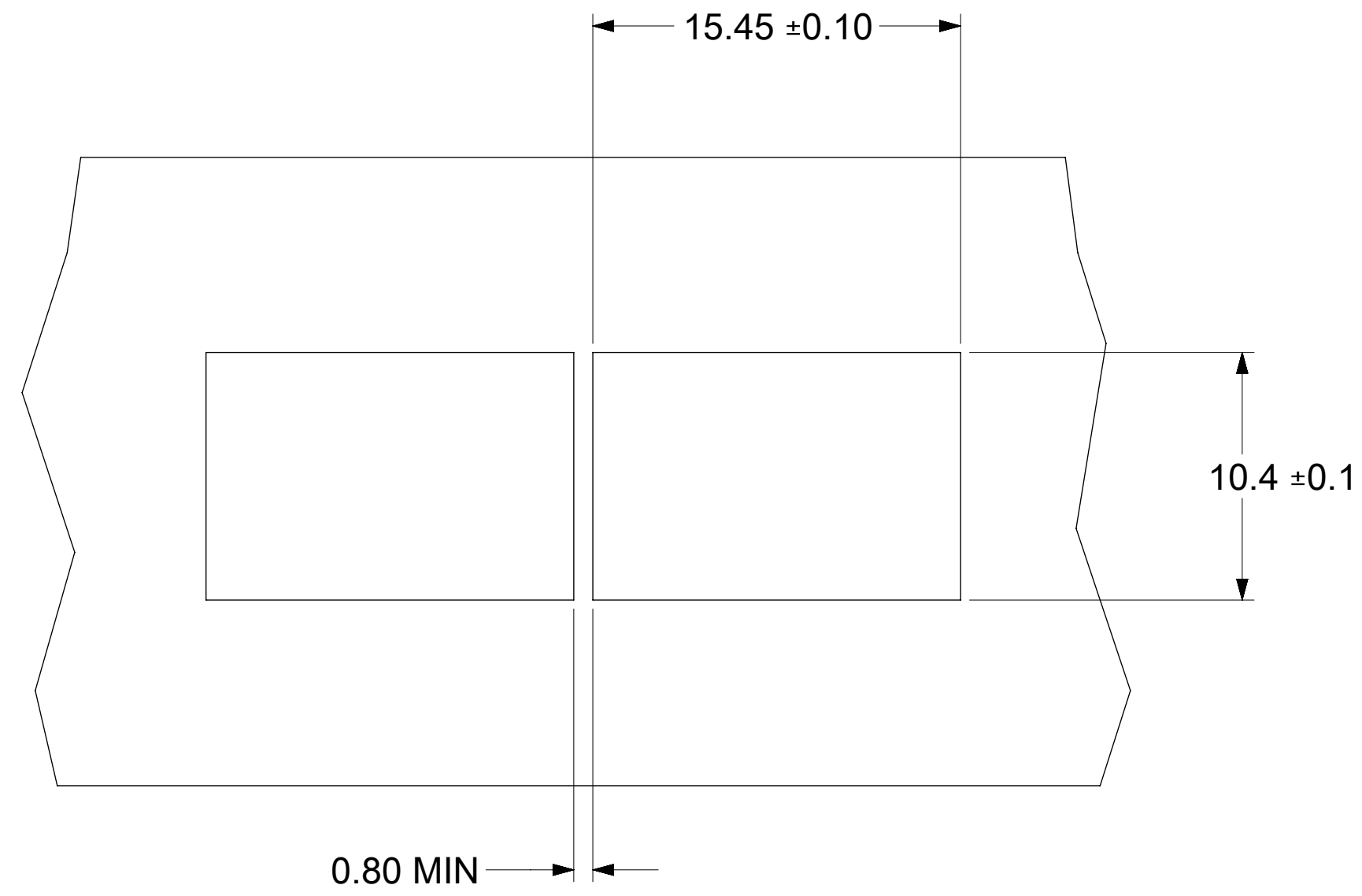
DETAIL 1
SCALE 10:1

NOTES:

1. PADS AND VIAS CONNECT TO CHASSIS GROUND (RECOMMEND PADS TO BE 2.00mm SQUARE)
2. RECOMMENDED THRU HOLE PLATING INCLUDES HASL, OSP, OR IMMERSION (GOLD, SILVER, OR TIN).
3. CONNECTOR PAD LAYOUT PER SFP+ MSA WILL ACCOMMODATE MOLEX CONNECTOR SERIES 74441 OR EQUIVALENT.

FUNCTIONAL SYMBOLS FA = 0 FC = 0 FD = 0	THIS DRAWING CONTAINS INFORMATION THAT IS PROPRIETARY TO MOLEX ELECTRONIC TECHNOLOGIES, LLC AND SHOULD NOT BE USED WITHOUT WRITTEN PERMISSION		CURRENT REV DESC: SEE REVISION TABLE		
	DIMENSION UNITS mm	SCALE 4:1			
DIVISIONAL SYMBOLS	GENERAL TOLERANCES (UNLESS SPECIFIED)		EC NO: 707262		SFP+ 1X1 CAGE ASSY PRESS FIT TYPE, W/ SUS EMI SPRING FINGERS & HEAT SINK
	ANGULAR TOL ± 1.0°		DRWN: ABHILT2 2022/04/07		
4 PLACES ±		CHK'D: TKUMARKC 2022/05/25		PRODUCT CUSTOMER DRAWING	
3 PLACES ±		APPR: SCHIEN 2022/05/27		DOCUMENT NUMBER	
2 PLACES ± 0.13		INITIAL REVISION:		1111128101	
1 PLACE ± 0.25		DRWN: ABHILT2 2022/04/07		DOC TYPE	
0 PLACES ±		APPR: SCHIEN 2022/05/27		PSD	
DRAFT WHERE APPLICABLE MUST REMAIN WITHIN DIMENSIONS		THIRD ANGLE PROJECTION		DOC PART	
		DRAWING		AS Y	
		SERIES		REVISION	
		D-SIZE 111112		A	
		MATERIAL NUMBER		SEE SHEET 2	
		CUSTOMER		SHEET NUMBER	
				3 OF 5	

BEZEL AND BOARD POSITION DIMENSIONS FOR SINGLE SIDE MOUNTING (SPRING FINGER)



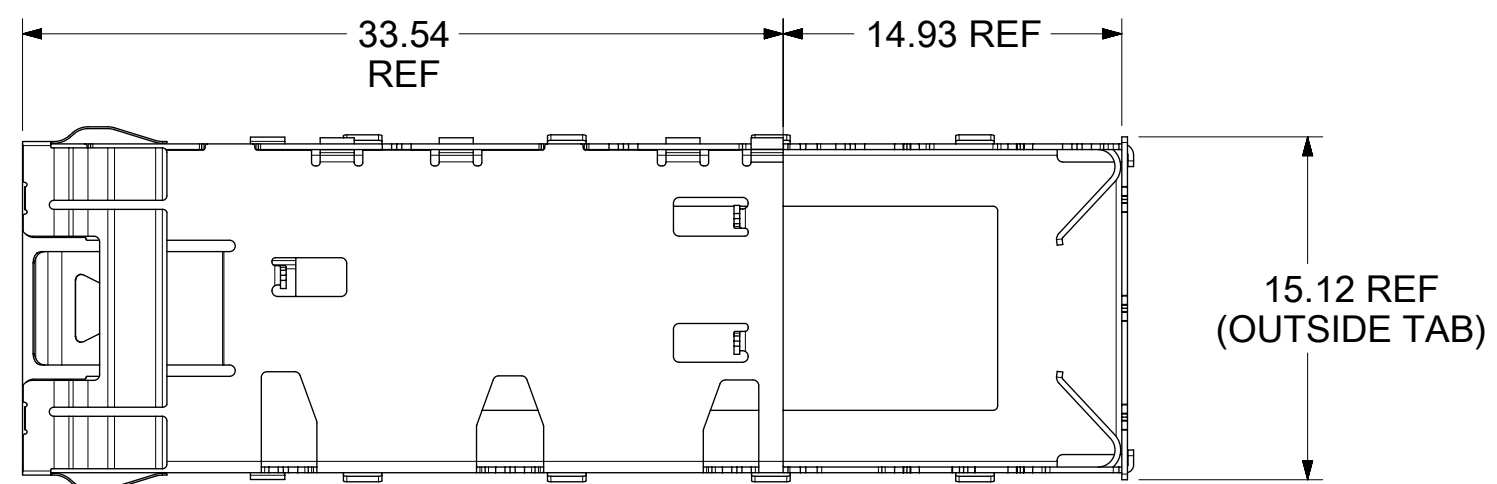
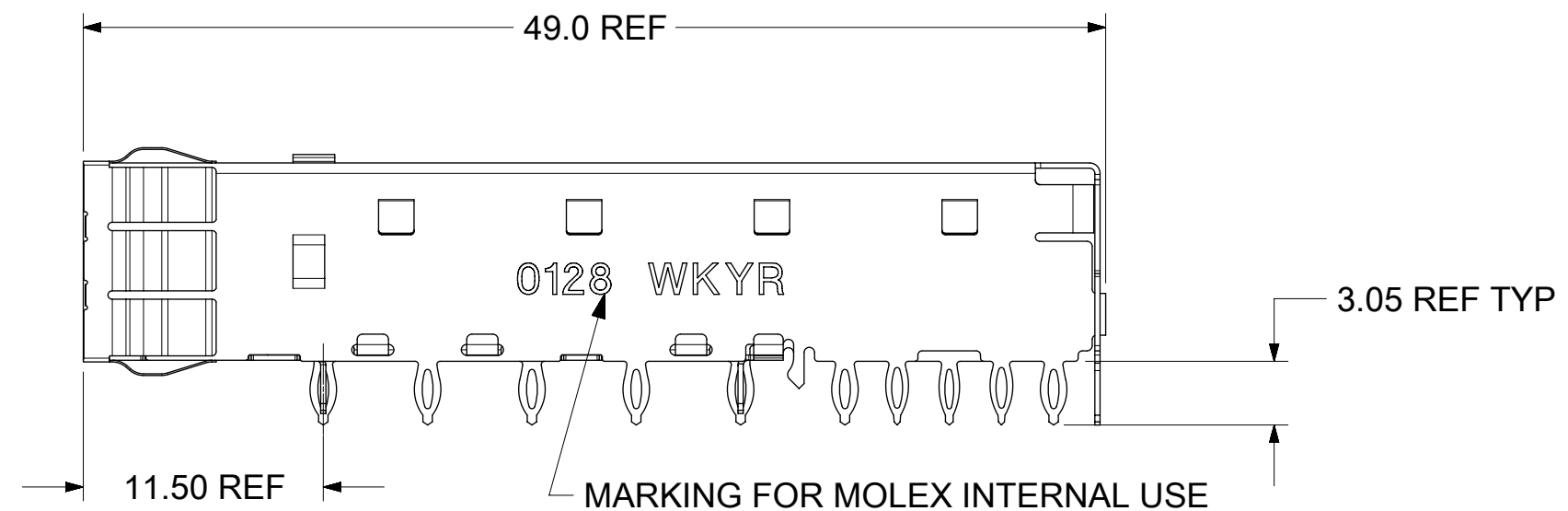
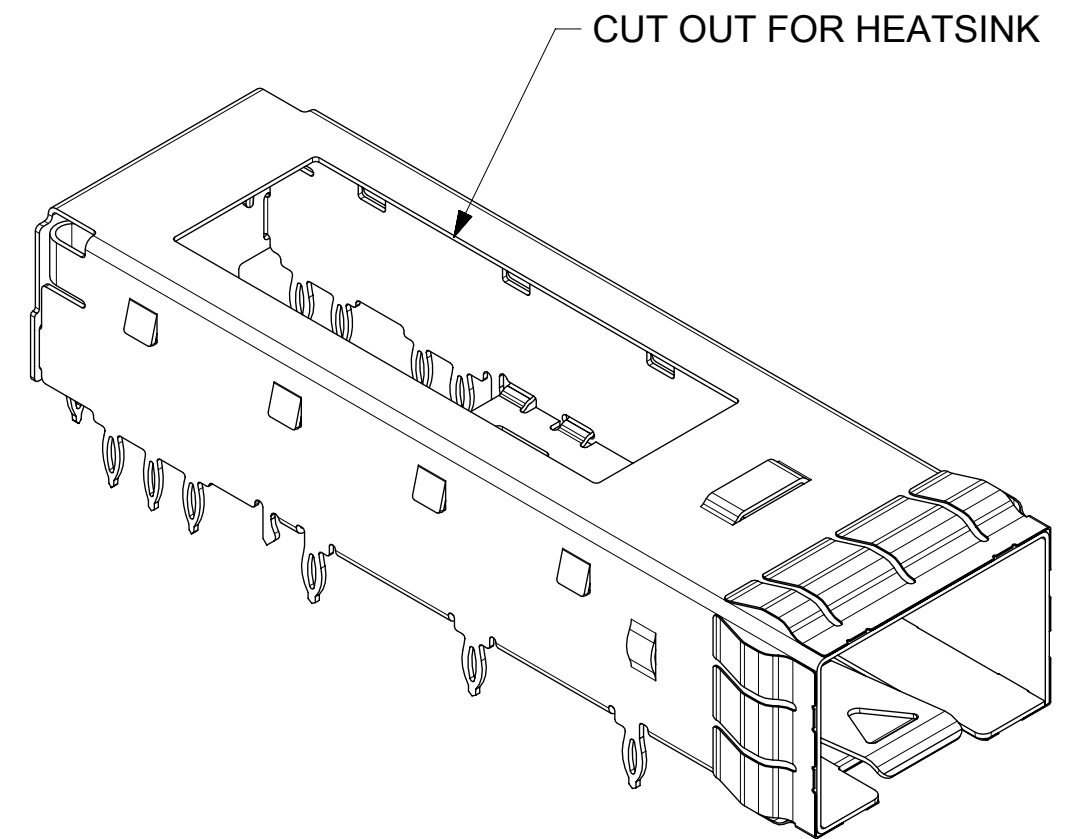
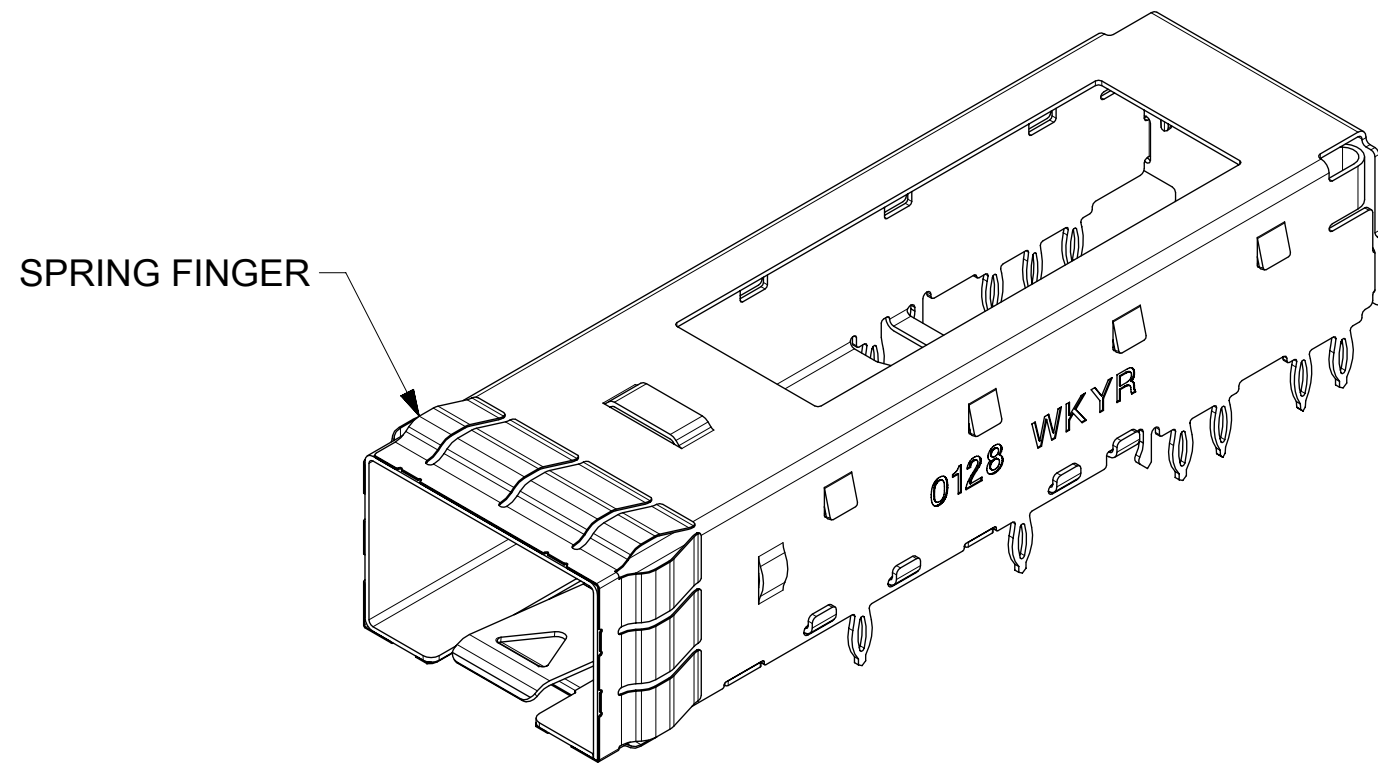
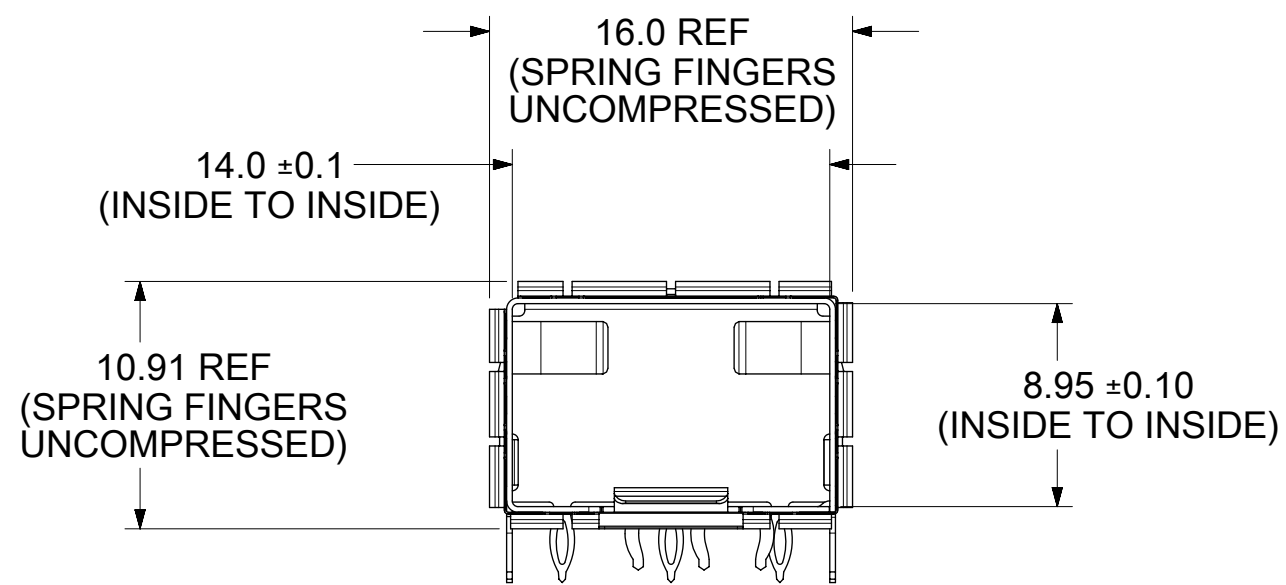
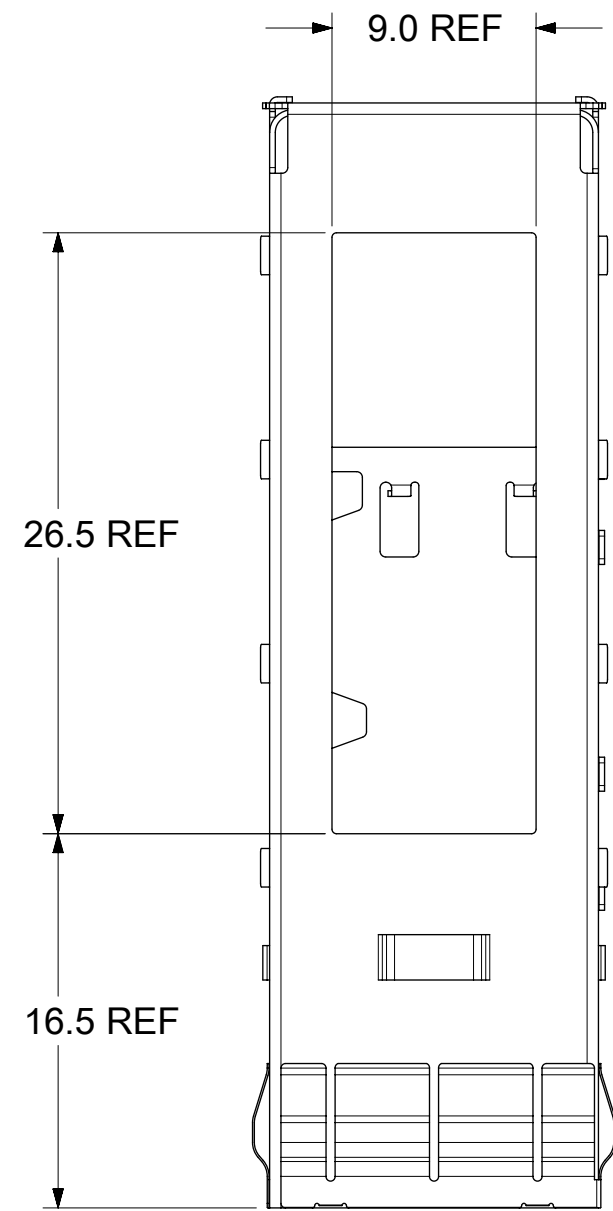
FUNCTIONAL SYMBOLS	THIS DRAWING CONTAINS INFORMATION THAT IS PROPRIETARY TO MOLEX ELECTRONIC TECHNOLOGIES, LLC AND SHOULD NOT BE USED WITHOUT WRITTEN PERMISSION		
	DIMENSION UNITS	SCALE	CURRENT REV DESC: SEE REVISION TABLE
$\nabla_A = 0$	mm	1:1	EC NO: 707262 DRWN: ABHILT2 2022/04/07 CHK'D: TKUMARKC 2022/05/25 APPR: SCHIEN 2022/05/27
$\nabla_C = 0$	GENERAL TOLERANCES (UNLESS SPECIFIED)		
$\nabla_P = 0$	ANGULAR TOL $\pm 1.0^\circ$		INITIAL REVISION: DRWN: ABHILT2 2022/04/07 APPR: SCHIEN 2022/05/27
DIVISIONAL SYMBOLS	4 PLACES	\pm	
	3 PLACES	\pm	DOCUMENT NUMBER 1111128101
	2 PLACES	± 0.13	
	1 PLACE	± 0.25	DOC TYPE PSD
	0 PLACES	\pm	DOC PART ASY
DRAFT WHERE APPLICABLE MUST REMAIN WITHIN DIMENSIONS	THIRD ANGLE PROJECTION	DRAWING	REVISION A
		D-SIZE	SHEET NUMBER 4 OF 5
		SERIES 111112	
		MATERIAL NUMBER SEE SHEET 2	
		CUSTOMER	

REVISION	DATE	DESCRIPTION
A	2022/05/25	INITIAL RELEASE

FUNCTIONAL SYMBOLS FA = 0 FC = 0 FP = 0 DIVISIONAL SYMBOLS	THIS DRAWING CONTAINS INFORMATION THAT IS PROPRIETARY TO MOLEX ELECTRONIC TECHNOLOGIES, LLC AND SHOULD NOT BE USED WITHOUT WRITTEN PERMISSION			CURRENT REV DESC: SEE REVISION TABLE					
	DIMENSION UNITS	SCALE	GENERAL TOLERANCES (UNLESS SPECIFIED)						
	mm	1:1	ANGULAR TOL ± 1.0°			EC NO: 707262			
	4 PLACES ±	3 PLACES ±			DRWN: ABHILT2 2022/04/07				
	2 PLACES ± 0.13	1 PLACE ± 0.25			CHK'D: TKUMARKC 2022/05/25				
	0 PLACES ±	DRAFT WHERE APPLICABLE MUST REMAIN WITHIN DIMENSIONS			APPR: SCHIEN 2022/05/27				
THIRD ANGLE PROJECTION		DRAWING	SERIES	DOCUMENT NUMBER		DOC TYPE	DOC PART	REVISION	
		D-SIZE	111112	1111128101		PSD	ASY	A	
MATERIAL NUMBER				CUSTOMER		SHEET NUMBER			
SEE SHEET 2						5 OF 5			

CAGE ASSEMBLY

HEATSINK/CLIP NOT SHOWN FOR CLARITY



- NOTES:**
- MATERIAL:**
 CAGE: 0.25mm THICK COPPER ALLOY, NICKEL PLATED.
 FRONT SPRING FINGERS: STAINLESS STEEL.
 HEATSINK: ALUMINUM, NICKEL PLATED.
 HEATSINK SPRING CLIP: STAINLESS STEEL.
 - PRESS FIT LEGS 3.05mm LONG:**
 1.57mm MINIMUM PCB THICKNESS FOR SINGLE SIDED USE.
 - PORTS ARE DESIGNED FOR SFP+ TRANSCEIVERS AND ARE COMPATIBLE WITH SFP TRANSCEIVERS.**
 THE TOP SURFACE OF THE MODULE MUST BE FLAT (NO PRODUCT LABEL RECESS) AND THERMALLY CONDUCTIVE TO FUNCTION OPTIMALLY.
 - WELD SPOTS WILL SHOW SLIGHT MATERIAL DISCOLORATION.**
 - NO RoHS EXEMPTIONS.**
 - CUSTOM HEATSINKS AVAILABLE UPON REQUEST.**
 - CAGE ASSEMBLY, HEATSINK, AND HEATSINK SPRING CLIP SHIPPED ASSEMBLED.**
 - THE MOLEX CAGE REQUIRES USING THE MOLEX HEATSINK SPRING CLIP.**

FUNCTIONAL SYMBOLS		THIS DRAWING CONTAINS INFORMATION THAT IS PROPRIETARY TO MOLEX ELECTRONIC TECHNOLOGIES, LLC AND SHOULD NOT BE USED WITHOUT WRITTEN PERMISSION	
$\nabla_A = 0$	DIMENSION UNITS	SCALE	CURRENT REV DESC: SEE REVISION TABLE
$\nabla_E = 0$	mm	3:1	
$\nabla_P = 0$	GENERAL TOLERANCES (UNLESS SPECIFIED)		
	ANGULAR TOL ± 1.0°		
DIVISIONAL SYMBOLS		4 PLACES ±	EC NO: 707262
		3 PLACES ±	DRWN: SKRISHNAMURT 2022/04/11
		2 PLACES ± 0.13	CHK'D: TKUMARKC 2022/05/25
		1 PLACE ± 0.25	APPR: SCHIEN 2022/05/27
		0 PLACES ±	INITIAL REVISION:
DRAFT WHERE APPLICABLE MUST REMAIN WITHIN DIMENSIONS		THIRD ANGLE PROJECTION	DRWN: SKRISHNAMURT 2022/04/11
		DRAWING	APPR: SCHIEN 2022/05/27
		SERIES	DOCUMENT NUMBER
		C-SIZE	111112
		MATERIAL NUMBER	111128122
		CUSTOMER	PSD ASY A
		SHEET NUMBER	1 OF 5

molex

SFP+ 1X1 CAGE ASSY PRESS FIT TYPE, W/ SUS SPRING FINGR, CUTOUT 3.4 & HEATSINKS

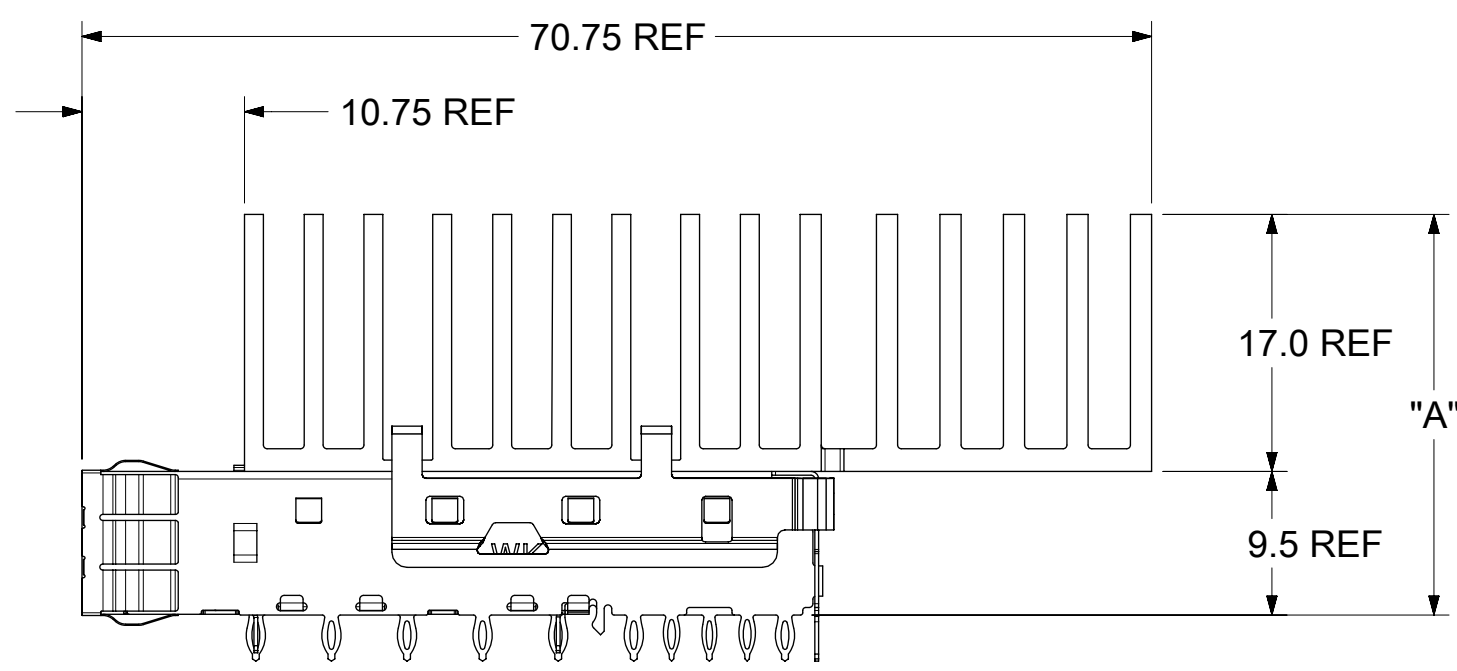
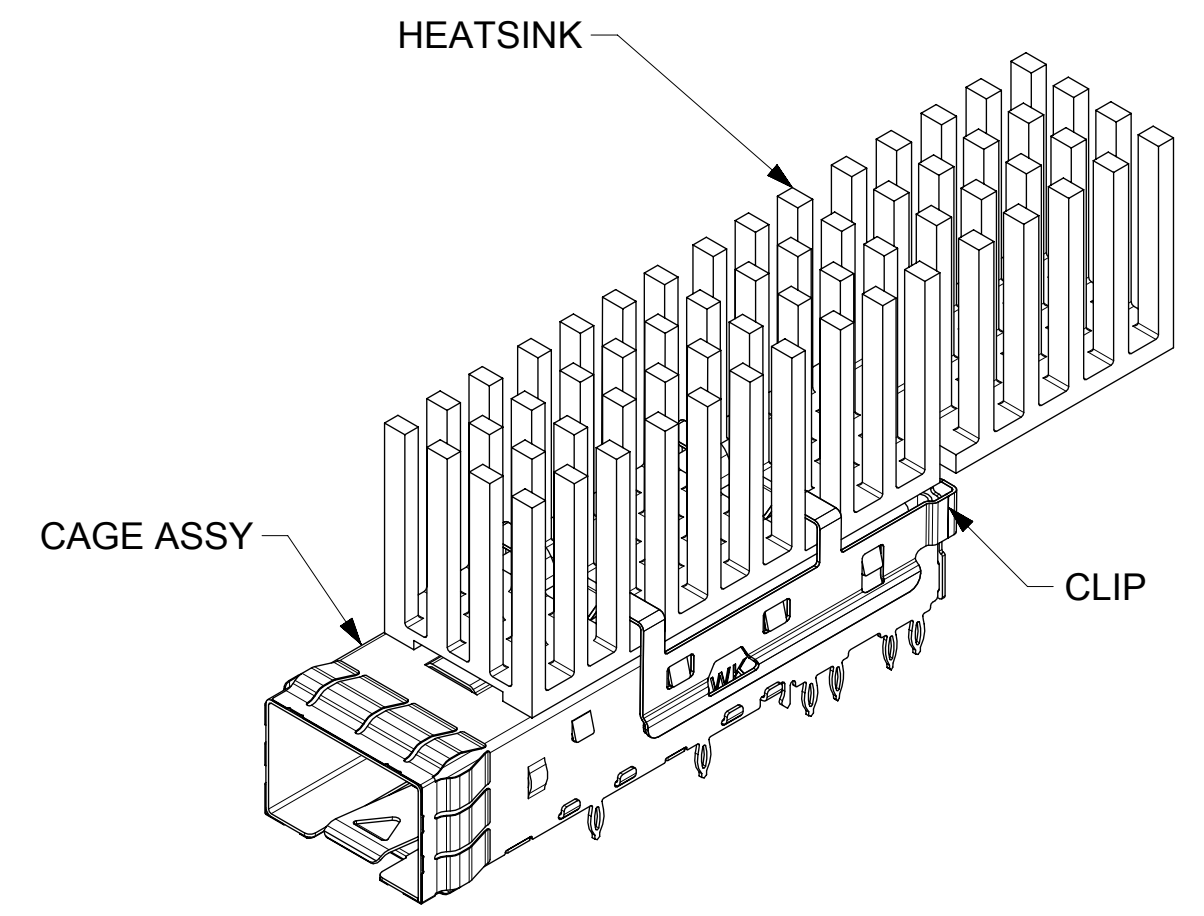
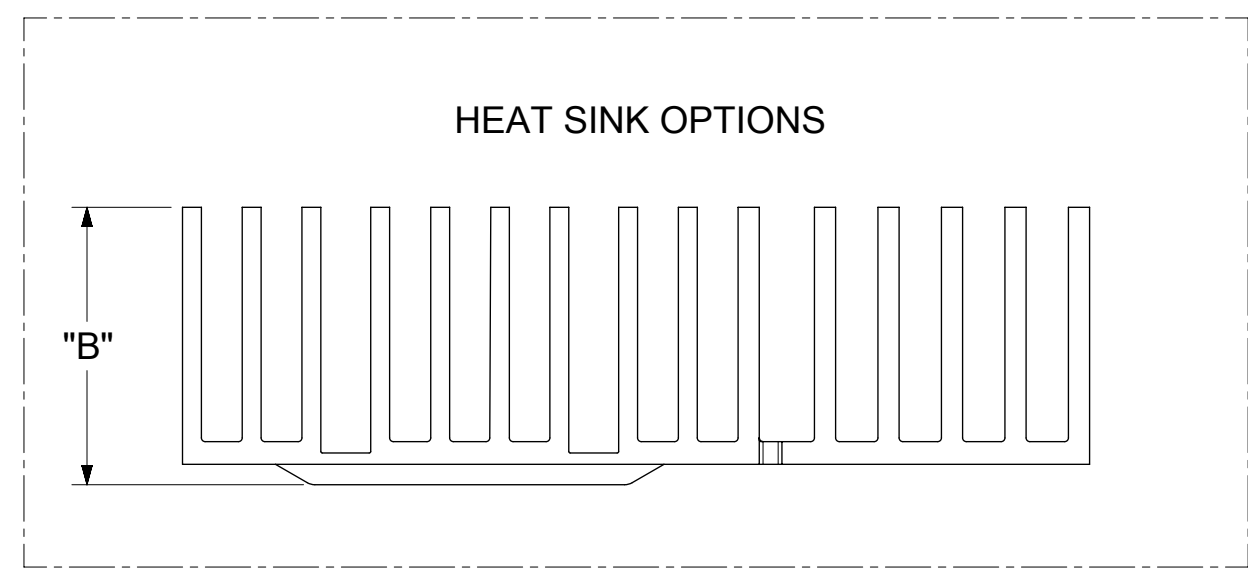
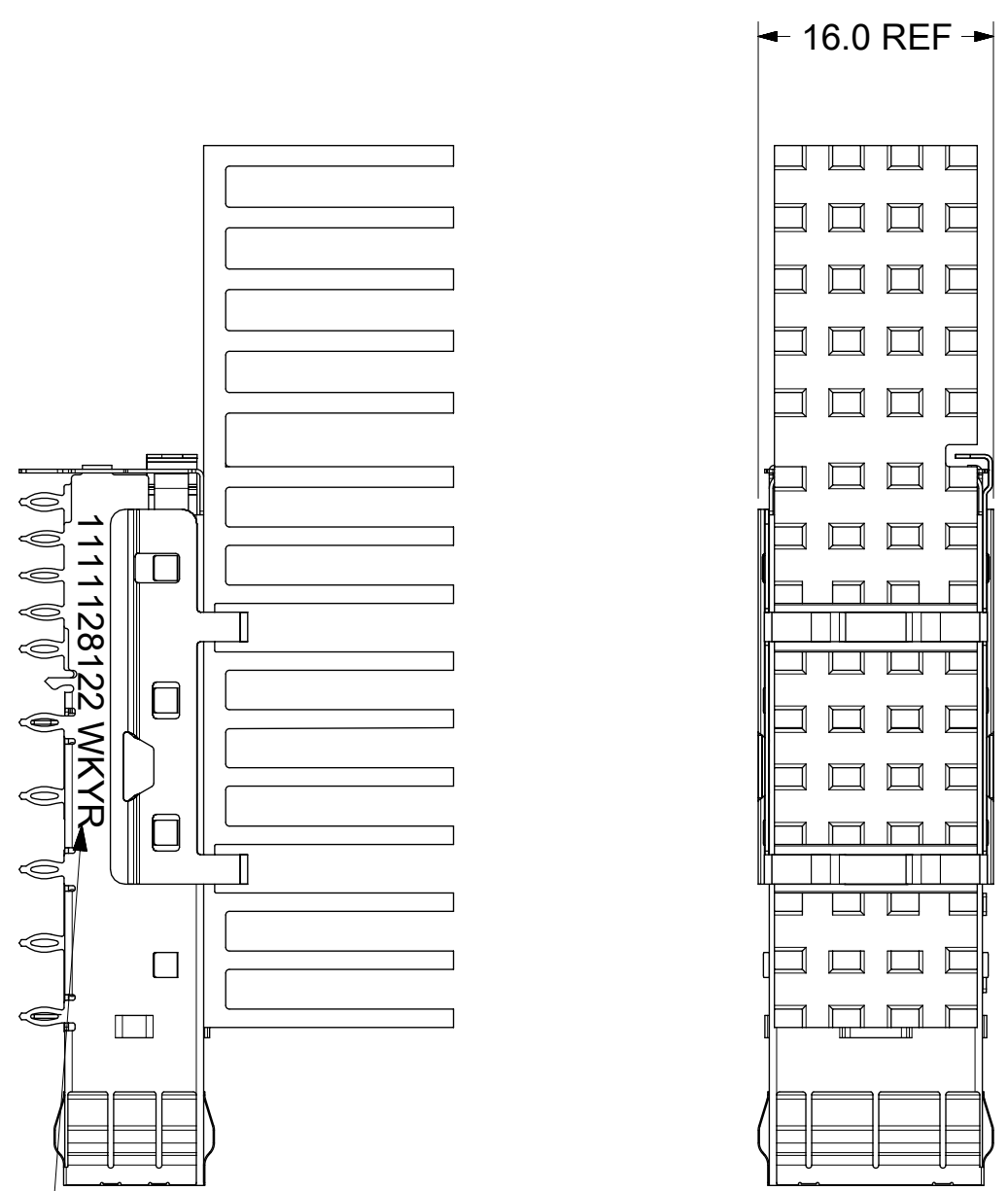
PRODUCT CUSTOMER DRAWING

111128122

PSD ASY A

111128122

1 OF 5



"A" MAX TYP. (AFTER MATING WITH TRANSCEIVERS)

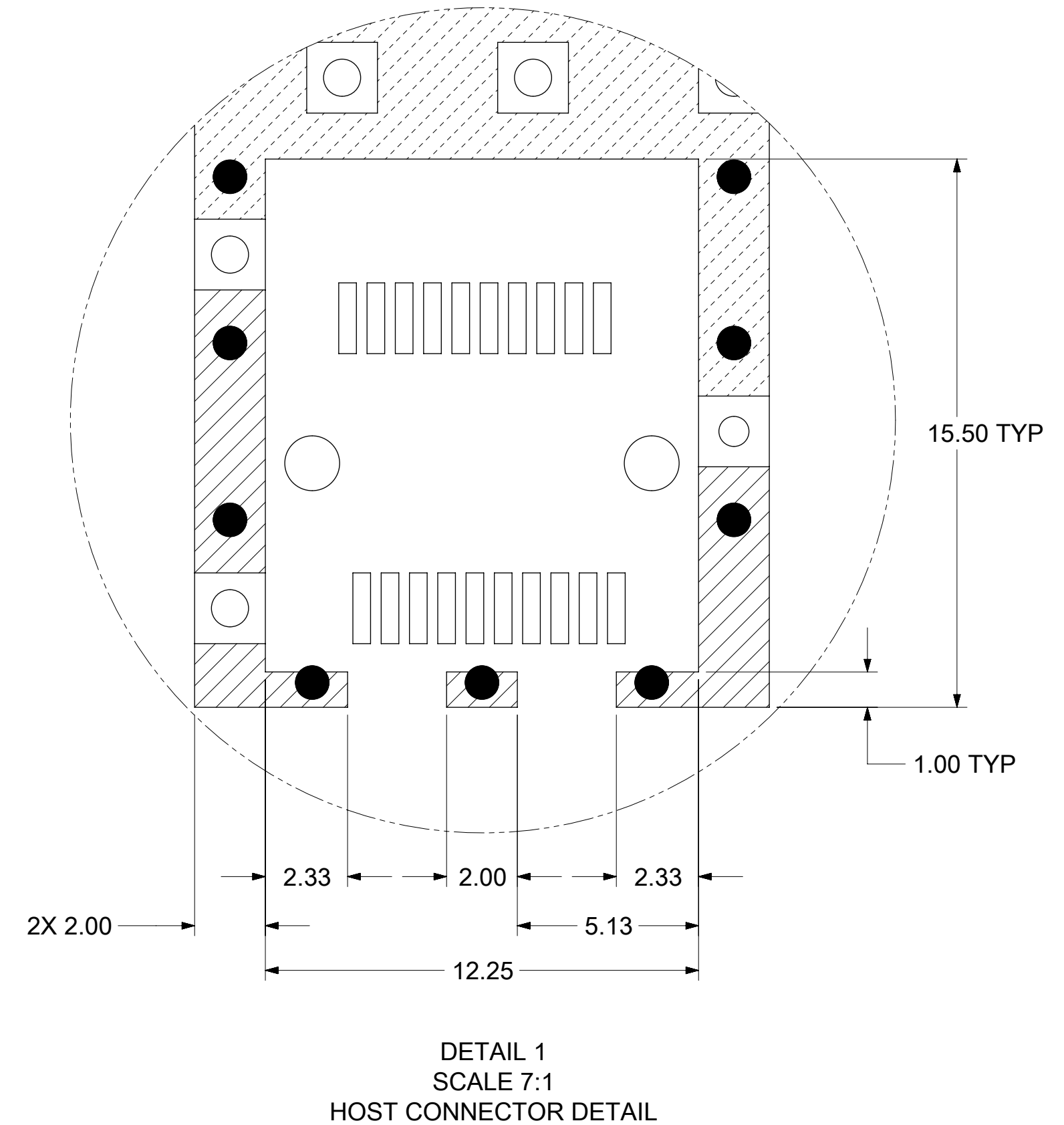
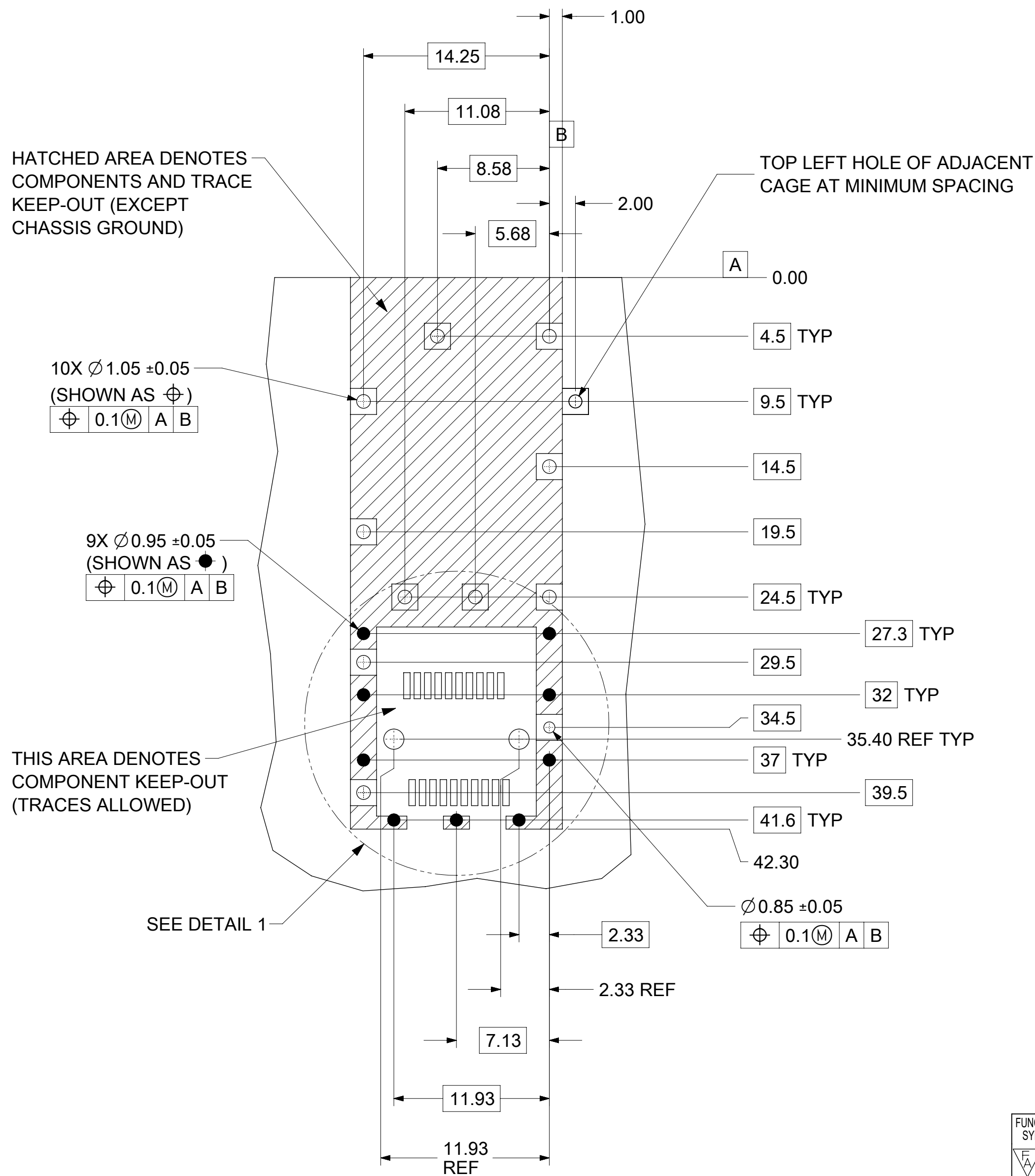
F/G PART NUMBER	DIM "A"	DIM "B"
111128122	28.1	18.35

PART NO. AND WEEK/YEAR DATE CODE TO BE PRINTED ON THE SIDE OF COMPLETED CAGE ASSEMBLY APPROXIMATELY AS SHOWN

WEEK/YEAR DATE CODE TABLE	
WK	WEEK 01 THRU 52 OR 53 EXAMPLE: 01 = FIRST WEEK OF YEAR 52 = LAST WEEK OF YEAR
YR	22, 23, 24 ETC. EXAMPLE: YEAR 2022 = 22

FUNCTIONAL SYMBOLS $\nabla_A = 0$ $\nabla_C = 0$ $\nabla_P = 0$	THIS DRAWING CONTAINS INFORMATION THAT IS PROPRIETARY TO MOLEX ELECTRONIC TECHNOLOGIES, LLC AND SHOULD NOT BE USED WITHOUT WRITTEN PERMISSION DIMENSION UNITS: mm SCALE: 2:1	CURRENT REV DESC: SEE REVISION TABLE EC NO: 707262 DRWN: SKRISHNAMURT 2022/04/11 CHK'D: TKUMARKC 2022/05/25 APPR: SCHIEN 2022/05/27				
	GENERAL TOLERANCES (UNLESS SPECIFIED) ANGULAR TOL $\pm 1.0^\circ$ 4 PLACES \pm 3 PLACES \pm 2 PLACES ± 0.13 1 PLACE ± 0.25 0 PLACES \pm	INITIAL REVISION: DRWN: SKRISHNAMURT 2022/04/11 APPR: SCHIEN 2022/05/27				SFP+ 1X1 CAGE ASSY PRESS FIT TYPE, W/ SUS SPRING FINGR, CUTOUT 3.4 & HEATSINKS PRODUCT CUSTOMER DRAWING
	DIVISIONAL SYMBOLS	DRAFT WHERE APPLICABLE MUST REMAIN WITHIN DIMENSIONS	THIRD ANGLE PROJECTION 	DRAWING: C-SIZE SERIES: 111112	DOCUMENT NUMBER: 111128122 MATERIAL NUMBER: 111128122	DOC TYPE: PSD DOC PART: ASY REVISION: A
			SHEET NUMBER: 2 OF 5			

PCB LAYOUT FOR SINGLE SIDE MOUNT



- NOTES:
1. PADS AND VIAS CONNECT TO CHASSIS GROUND (RECOMMEND PADS TO BE 2.00mm SQUARE)
 2. RECOMMENDED THRU HOLE PLATING INCLUDES HASL, OSP, OR IMMERSION (GOLD, SILVER, OR TIN).
 3. CONNECTOR PAD LAYOUT PER SFP+ MSA WILL ACCOMMODATE MOLEX CONNECTOR SERIES 74441 OR EQUIVALENT.

FUNCTIONAL SYMBOLS	THIS DRAWING CONTAINS INFORMATION THAT IS PROPRIETARY TO MOLEX ELECTRONIC TECHNOLOGIES, LLC AND SHOULD NOT BE USED WITHOUT WRITTEN PERMISSION		CURRENT REV DESC: SEE REVISION TABLE					
	DIMENSION UNITS	SCALE						
	$\frac{F}{A} = 0$	mm	3:1					
	$\frac{F}{C} = 0$	GENERAL TOLERANCES (UNLESS SPECIFIED)						
DIVISIONAL SYMBOLS	$\frac{F}{P} = 0$	ANGULAR TOL $\pm 1.0^\circ$		EC NO: 707262				
	4 PLACES	\pm		DRWN: SKRISHNAMURT 2022/04/11				
	3 PLACES	\pm		CHK'D: TKUMARKC 2022/05/25				
	2 PLACES	± 0.13		APPR: SCHIEN 2022/05/27				
1 PLACE	± 0.25		INITIAL REVISION:					
0 PLACES	\pm		DRWN: SKRISHNAMURT 2022/04/11	DOCUMENT NUMBER				
DRAFT WHERE APPLICABLE MUST REMAIN WITHIN DIMENSIONS			THIRD ANGLE PROJECTION	DRAWING	SERIES	MATERIAL NUMBER	CUSTOMER	SHEET NUMBER
				C-SIZE	111112	111128122		3 OF 5

molex

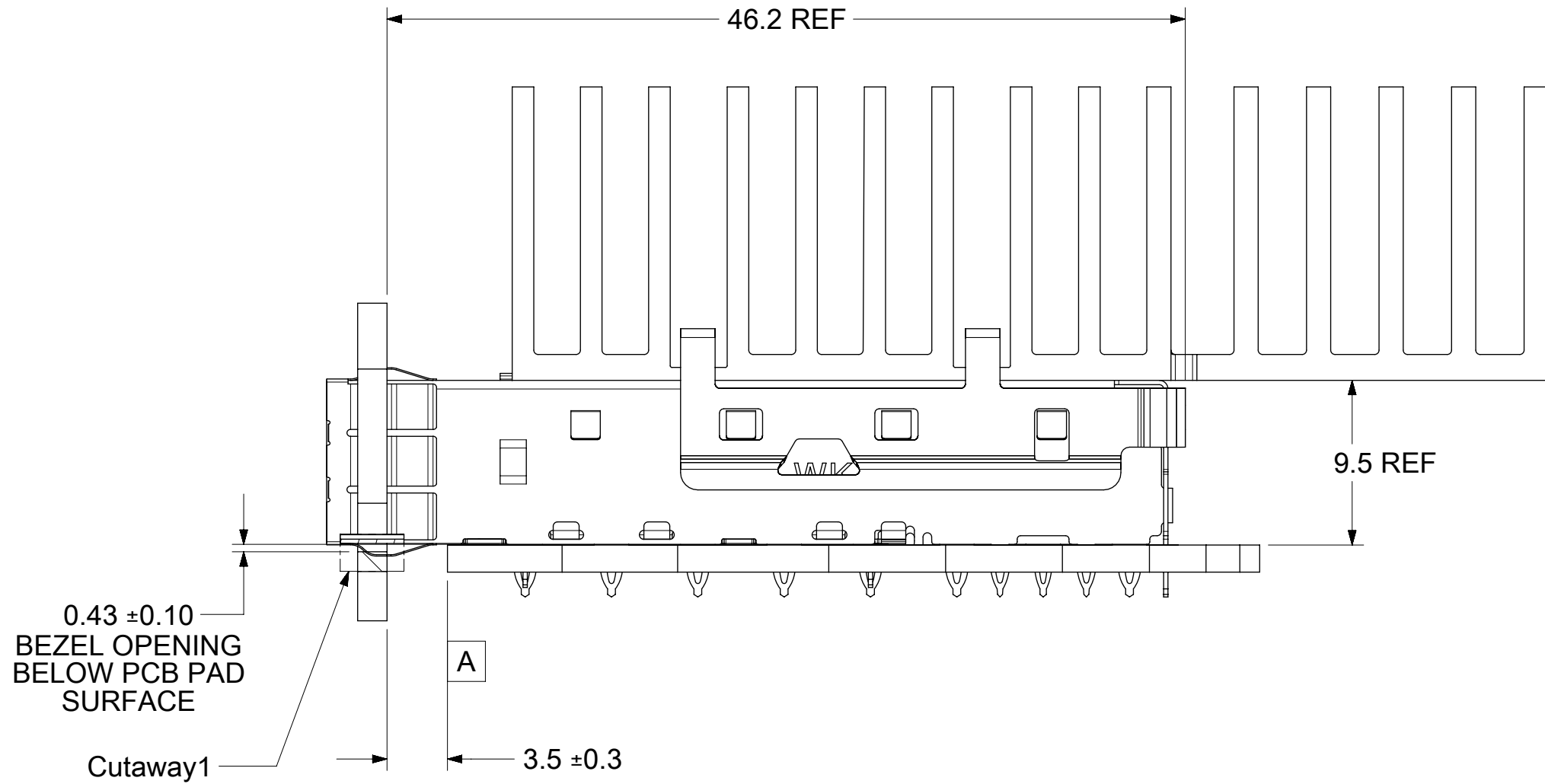
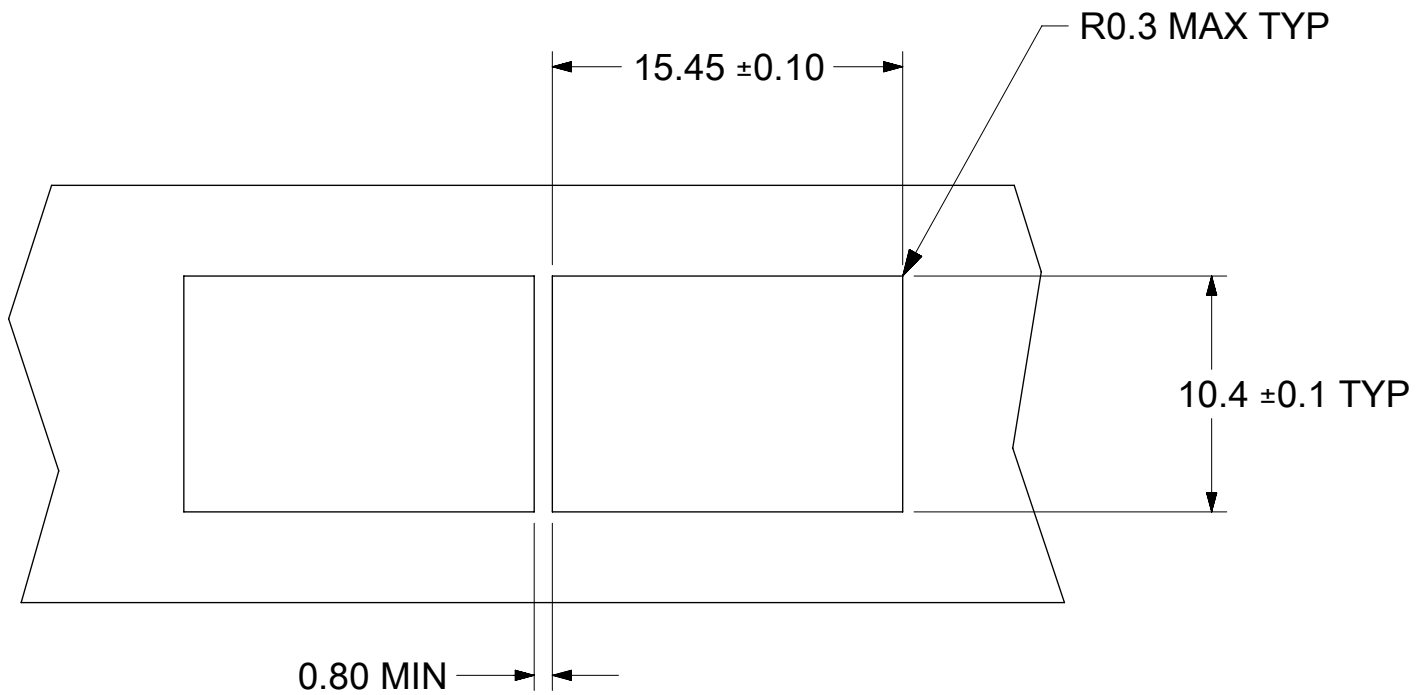
SFP+ 1X1 CAGE ASSY PRESS FIT TYPE, W/ SUS SPRING FINGR, CUTOUT 3.4 & HEATSINKS

PRODUCT CUSTOMER DRAWING

111128122

PSD ASY A

BEZEL AND BOARD POSITION DIMENSIONS FOR SINGLE SIDE MOUNTING (SPRING FINGER)



FUNCTIONAL SYMBOLS	THIS DRAWING CONTAINS INFORMATION THAT IS PROPRIETARY TO MOLEX ELECTRONIC TECHNOLOGIES, LLC AND SHOULD NOT BE USED WITHOUT WRITTEN PERMISSION														
	DIMENSION UNITS	SCALE	CURRENT REV DESC: SEE REVISION TABLE							molex					
$\frac{F}{A} = 0$	mm	3:1	EC NO: 707262									SFP+ 1X1 CAGE ASSY PRESS FIT TYPE, W/ SUS SPRING FINGR, CUTOUT 3.4 & HEATSINKS			
$\frac{F}{C} = 0$	GENERAL TOLERANCES (UNLESS SPECIFIED)		DRWN: SKRISHNAMURT 2022/04/11							PRODUCT CUSTOMER DRAWING					
$\frac{F}{P} = 0$	ANGULAR TOL ± 1.0°		CHK'D: TKUMARKC 2022/05/25							DOCUMENT NUMBER					
DIVISIONAL SYMBOLS	4 PLACES ±		APPR: SCHIEN 2022/05/27							DOC TYPE					
	3 PLACES ±		INITIAL REVISION:							DOC PART					
	2 PLACES ± 0.13		DRWN: SKRISHNAMURT 2022/04/11							REVISION					
	1 PLACE ± 0.25		APPR: SCHIEN 2022/05/27							111128122					
0 PLACES ±		DRAFT WHERE APPLICABLE MUST REMAIN WITHIN DIMENSIONS		THIRD ANGLE PROJECTION		DRAWING		SERIES		MATERIAL NUMBER		CUSTOMER		SHEET NUMBER	
				C-SIZE		111112		111128122				4 OF 5			

H
G
F
E
D
C
B
A

REV	DATE	DESCRIPTION
A	2022/05/25	INITIAL RELEASE

FUNCTIONAL SYMBOLS	THIS DRAWING CONTAINS INFORMATION THAT IS PROPRIETARY TO MOLEX ELECTRONIC TECHNOLOGIES, LLC AND SHOULD NOT BE USED WITHOUT WRITTEN PERMISSION		
	DIMENSION UNITS	SCALE	CURRENT REV DESC: SEE REVISION TABLE
= 0	mm	1:1	EC NO: 707262 DRWN: SKRISHNAMURT 2022/04/11 CHK'D: TKUMARKC 2022/05/25 APPR: SCHIEN 2022/05/27 INITIAL REVISION: DRWN: SKRISHNAMURT 2022/04/11 APPR: SCHIEN 2022/05/27
= 0	GENERAL TOLERANCES (UNLESS SPECIFIED)		
= 0	ANGULAR TOL ± 1.0°		
DIVISIONAL SYMBOLS	4 PLACES ±		
	3 PLACES ±		PRODUCT CUSTOMER DRAWING DOCUMENT NUMBER: 111128122 DOC TYPE: PSD DOC PART: ASY REVISION: A MATERIAL NUMBER: 111128122 CUSTOMER: SHEET NUMBER: 5 OF 5
	2 PLACES ± 0.13		
	1 PLACE ± 0.25		
	0 PLACES ±		
	DRAFT WHERE APPLICABLE MUST REMAIN WITHIN DIMENSIONS	THIRD ANGLE PROJECTION	DRAWING: C-SIZE
		SERIES: 111112	

DOCUMENT STATUS	P1	RELEASE DATE	2022/05/27 10:20:27
-----------------	----	--------------	---------------------

FORMAT: mxtm18-01002C
REVISION: 01
DATE: 2016/08/01