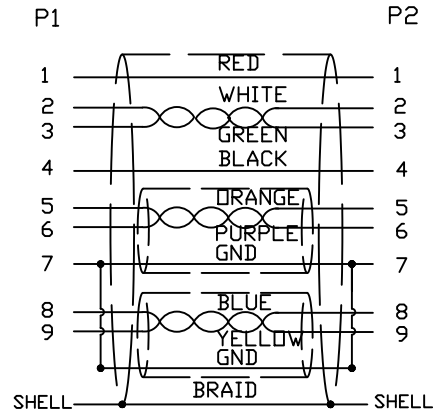


1.Wiring Diagram.



2.Cable test condition :  
 Open / Short : 100%  
 Insulation resistance : 5M ohms  
 Contact resistance : 2 ohm  
 Hipot : DC 300V / 1 sec

3.Each pcs with PE polybag

| NO. | PART NO. | DESCRIPTION  | QTY | UNIT/REF |
|-----|----------|--|-----|----------|
| 8   | COPPER   | COPPER FOIL 20*40MM  | 1   |          |
| 7   | COPPER   | COPPER FOIL 15*40MM  | 1   |          |
| 6   | CORE     | RH14.2*28.5*6.35mm   | 2   |          |
| 5   | CONN     | USB3.0 B MAILE G/F BLUE  | 1   | P2       |
| 4   | PVC      | 45P PVC BLACK OVERMOLD   | 25g |          |
| 3   | PE       | LLDPE 500026 6201  | 16g |          |
| 2   | CONN     | USB3.0 A/M G/F BLUE  | 1   | P1       |
| 1   | CABLE    | 《28AWG (7/0.12TC) *1P+D(7/0.10TC)+AL+M》*2+28AWG (7/0.12TC) *1P+24AWG(7/0.2TC)*2C+A+D+B (96/0.12AM) OD5.5 BLACK | 1   | 2000mm   |

BILL OF MATERIAL

|              |          |               |                              |
|--------------|----------|---------------|------------------------------|
| A            |          | 22/08/2022    |                              |
| CnC Tech,LLC |          | TITLE         | USB3.0 A/M-B/M W/FERRITES,2M |
|              |          | DWN NO.       | 103-1030-BL-F0200            |
| DRAWN        | EDWINLAI | DATE          | 22/08/2022                   |
| CHECKED      | WENC     | DATE          | 22/08/2022                   |
| APPROVAL     |          | CUSTOMER P/N: |                              |
|              |          | CUSTOMER:     |                              |
|              |          | SHEET 1 OF 1  |                              |

