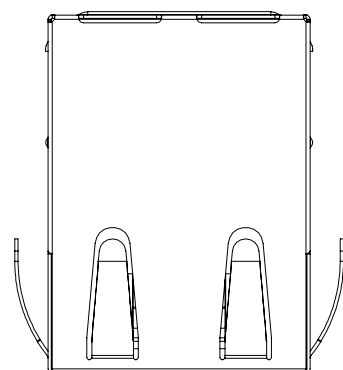
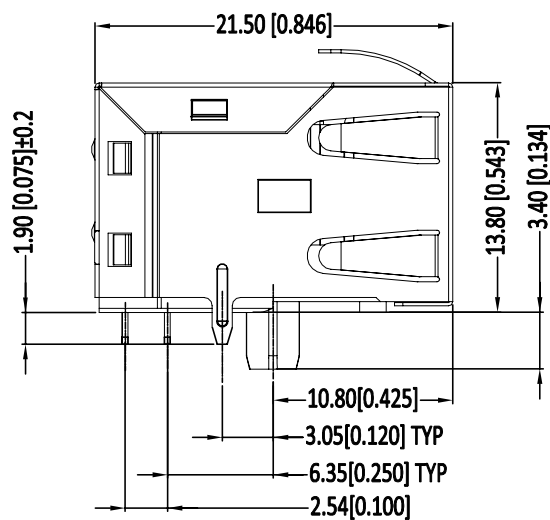
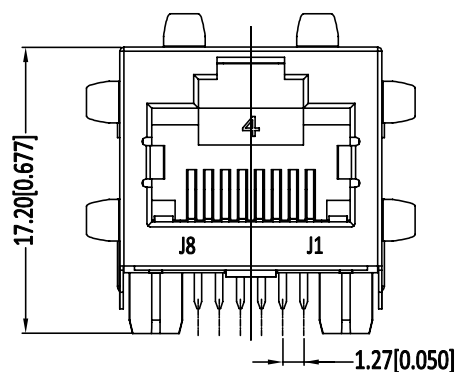
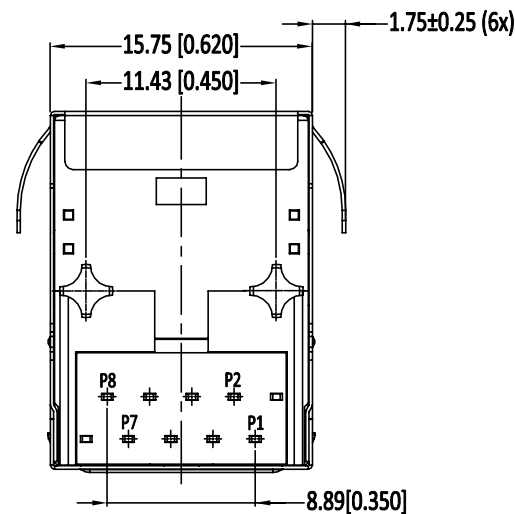
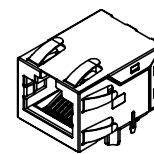


P	LTR	DESCRIPTION	DATE	DWN	APVD
	B6	RETURN LOSS SPECIFICATION CORRECTED	26MAY2021	SS	OW



- 1 CONNECTOR MATERIAL:  
 HOUSING: LCP BLACK UL94 V-0  
 INSERT: LCP BLACK UL94 V-0  
 SHIELD: BRASS  
 SHIELD PLATING: NICKEL  
 CONTACT: COPPER ALLOY  
 CONTACT PLATING: SELECTIVE GOLD, MIN. 0.76µm (30µinch) IN CONTACT AREA  
 OVER MIN. 1.27µm (50µinch) NICKEL  
 SOLDER PIN PLATING: 3.05µm (120µinch) TIN OVER 1.27µm (50µinch) NICKEL  
 OVER ALL  
 SHIELDING PIN PLATING: NICKEL
- 2 PIN NOT ELECTRICALLY CONNECTED MAYBE OMITTED SEE ELECTRICAL CIRCUIT DIAGRAM FOR OMITTED PINS
- 3 RJ45 CAVITY DIMENSION CONFORM TO FCC PART 68
- 4 THE PART IS RECOMMENDED FOR REFLOW SOLDERING PROCESS PEAK SOLDERING: TEMPERATURE MAX. +260°C, MAX. 10s
- 5 OPERATING TEMPERATURE: T= -40°C TO +85°C
- 6 STORAGE TEMPERATURE: T= -40°C TO +85°C
- 7 UNLESS OTHERWISE SPECIFIED, SEE TABLE FOR ALL DIMENSIONS TOLERANCES
- 8 JACK CONFIGURATION: 1 x 1  
 TAB DIRECTION: UP
- 9 AUTOMATED PLACEMENT: FOR FORCE-FREE ASSEMBLY WITHOUT THE ALIGNMENT FUNCTION WIDEN TO MIN. 3.40 mm DIAMETER
- 10 PACKAGING: REEL (T+R) ACCORDING TO PACKAGING SPECIFICATION 107-18116



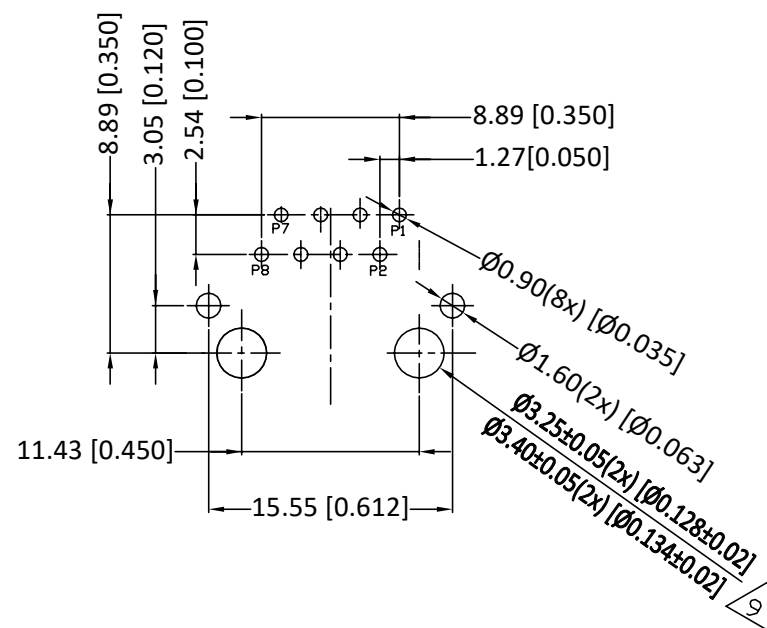
1:1

TABLE OF TOLERANCE (mm)	
RANGE	TOLERANCE
0-10	±0.15
>10-40	±0.25
>40-70	±0.30
>70	±0.40

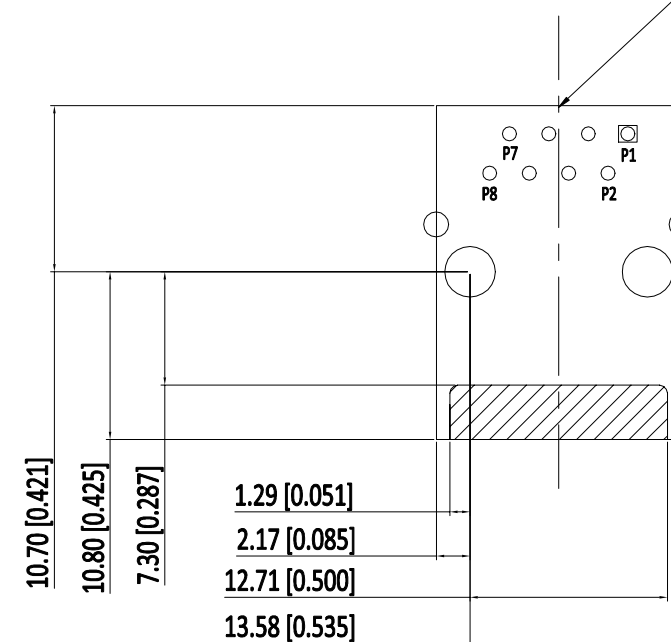
THIS DRAWING IS A CONTROLLED DOCUMENT.		DWN GAMESH C M 16AUG2016	TE Connectivity Ltd.	
		CHK FRANZ MUELLER 16AUG2016		
		APVD MARTIN SZELAG 16AUG2016	NAME RJ45 JACK INT.MAG. 10/100 1x1 INV	
DIMENSIONS: mm [INCHES]		TOLERANCES UNLESS OTHERWISE SPECIFIED:		PRODUCT SPEC 108-94552
		0 PLC ± - 1 PLC ± - 2 PLC ± - 3 PLC ± - 4 PLC ± - ANGLES ± - FINISH ± -		APPLICATION SPEC 114-94447
MATERIAL 1		FINISH 1		WEIGHT -
CUSTOMER DRAWING			SIZE A3 CAGE CODE 00779 DRAWING NO. C=2301994-1	RESTRICTED TO -
			SCALE 3:1 SHEET 1 of 3	REV B6

P	LTR	DESCRIPTION	DATE	DWN	APVD
-	-	SEE SHEET 1	-	-	-

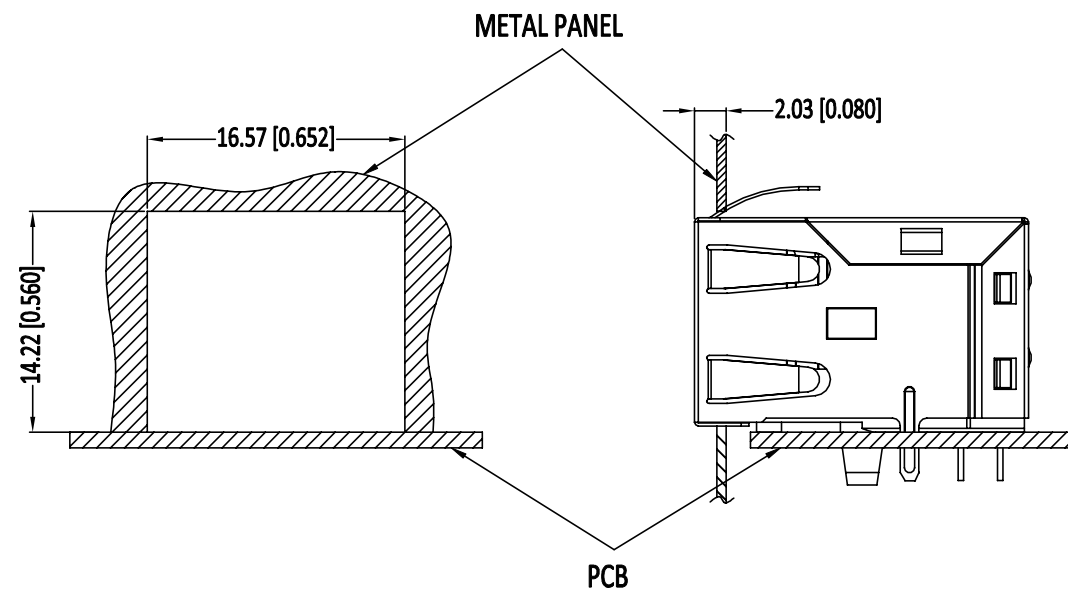
**SUGGESTED PCB LAYOUT**



**Connector Boundary**



**Plug In Side**

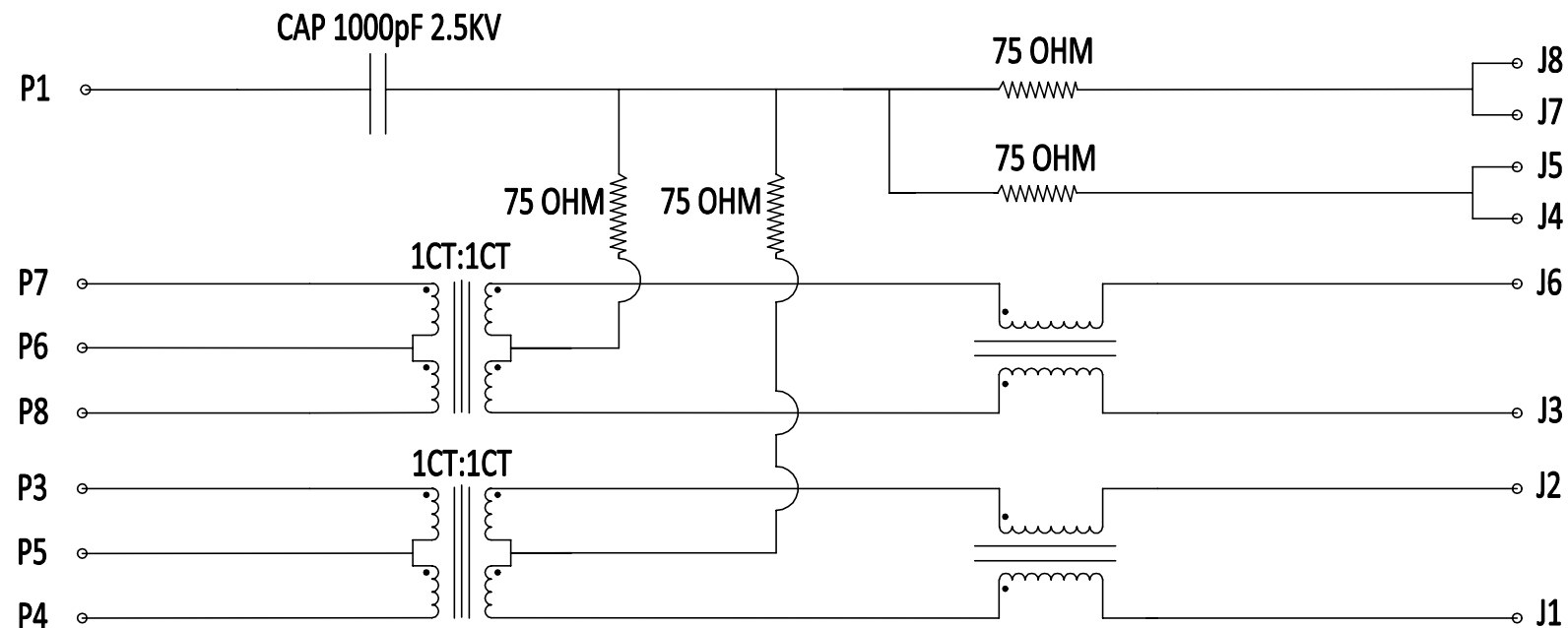


UNIT: mm / inch  
 TOLERANCES: ±0.10 / 0.004  
 ONLY FOR THIS VIEW

THIS DRAWING IS A CONTROLLED DOCUMENT.		DWN GAMESH C M 16AUG2016	TE Connectivity Ltd.	
		CHK FRANZ MUELLER 16AUG2016		
		APVD MARTIN SZELAG 16AUG2016	NAME RJ45 JACK INT.MAG. 10/100 1x1 INV	
DIMENSIONS: mm [INCHES]		PRODUCT SPEC 108-94552		SIZE A3
		APPLICATION SPEC 114-94447		
TOLERANCES UNLESS OTHERWISE SPECIFIED:		WEIGHT -		CAGE CODE 00779
0 PLC ± - 1 PLC ± - 2 PLC ± - 3 PLC ± - 4 PLC ± - ANGLES ± -		DRAWING NO C=2301994-1		RESTRICTED TO -
MATERIAL 1		FINISH 1		SCALE 3:1
		CUSTOMER DRAWING		SHEET 2 of 3
				REV B6

P	LTR	DESCRIPTION	DATE	DWN	APVD
-	-	SEE SHEET 1	-	-	-

**ELECTRICAL CIRCUIT DIAGRAM**



1. TURN RATIO @100kHz: (P4~P3):(J1~J2) = 1:1±2%  
(P8~P7):(J3~J6) = 1:1±2%
2. PRIMARY INDUCTANCE: 350µH MIN. @100kHz,0.1V 8mA DC BIAS
3. DC RESISTANCE: 1.2 OHMS MAX.
4. INSERTION LOSS: 1-100MHz -1.2dB MAX.
5. RETURN LOSS: 1-30MHz -16dB MIN.  
30-60MHz -16dB+20log(f/30MHz) MIN.  
60-80MHz -10dB MIN.
6. CROSS TALK: 1-100MHz -30dB MIN.
7. COMMON TO COMMON MODE ATTENUATION: 1-100MHz -30dB MIN.
8. ISOLATION: PHY SIDE TO LINE SIDE: 2250VDC

2301994-1  
WWYY-xxxx

**STE**

FCC

CONTROL CODE  
DATE CODE  
"0213"  
YY-YEAR  
WW-WEEK

THIS DRAWING IS A CONTROLLED DOCUMENT.		DWN GAMESH C M 16AUG2016	<b>STE</b> TE Connectivity Ltd.	
		CHK FRANZ MUELLER 16AUG2016		
DIMENSIONS: mm [INCHES]		APVD MARTIN SZELAG 16AUG2016	NAME RJ45 JACK INT.MAG. 10/100 1x1 INV	
TOLERANCES UNLESS OTHERWISE SPECIFIED: 0 PLC ± - 1 PLC ± - 2 PLC ± - 3 PLC ± - 4 PLC ± - ANGLES ± -		PRODUCT SPEC 108-94552	RESTRICTED TO	
MATERIAL 1		FINISH 1	APPLICATION SPEC 114-94447	SIZE A3
		WEIGHT -	CAGE CODE 00779	DRAWING NO C=2301994-1
		CUSTOMER DRAWING	SCALE 3:1	SHEET 3 of 3
			REV B6	