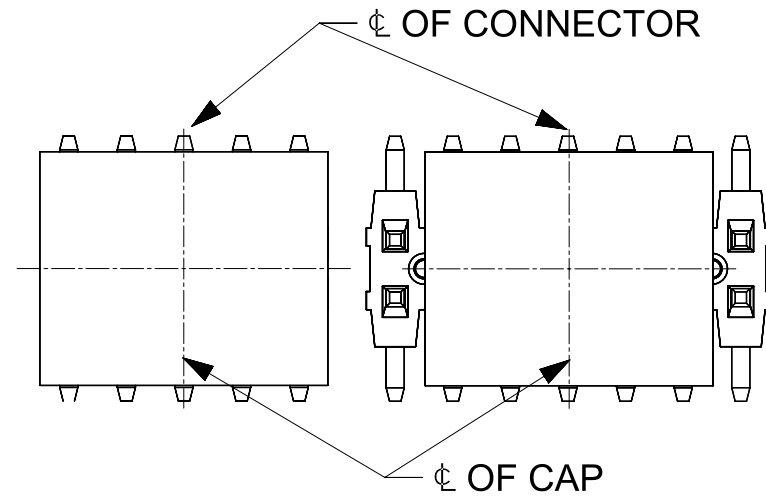
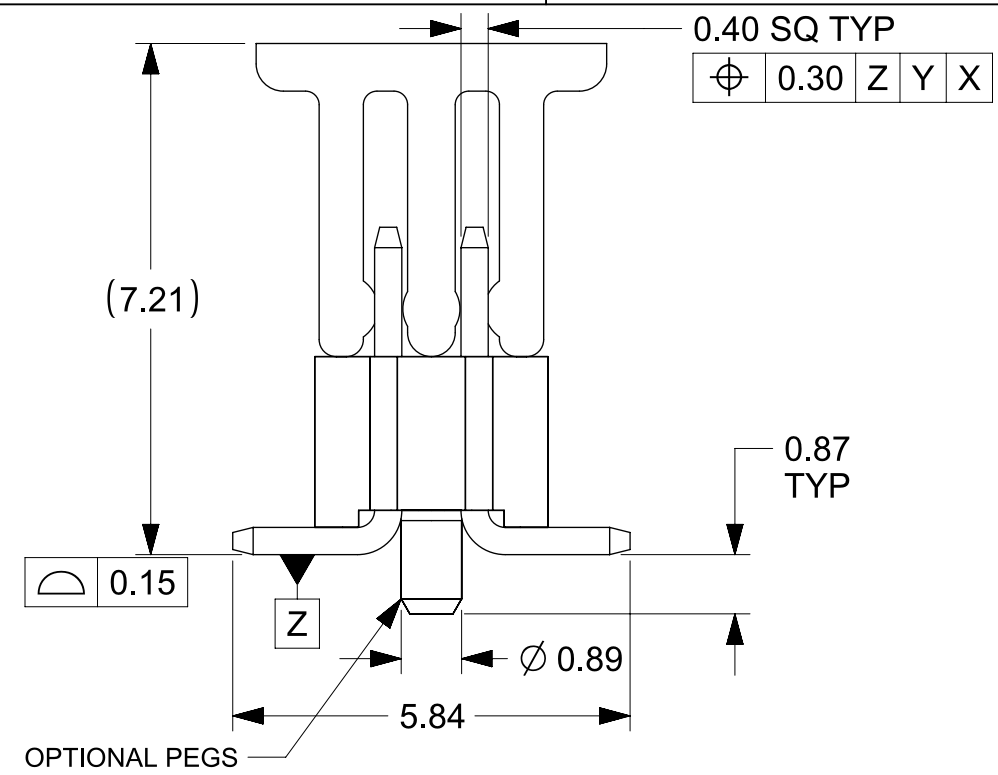
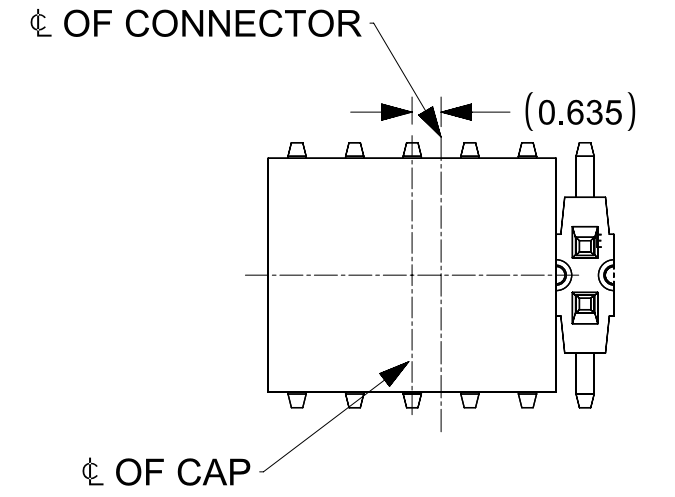


6 CAP POSITION WITH RESPECT TO CONNECTOR

FOR CKT 10 & BELOW & CKT 14, 18, 22, 26, 30, 34, 38, 42, 46, 50, 54, 58, 62, 66, 70, 74, 78, 82, 86, 90, 94, 98



FOR 12, 16, 20, 24, 28, 32, 36, 40, 44, 48, 52, 56, 60, 64, 68, 72, 76, 80, 84, 86, 92, 96, 100



THIS DRAWING CONTAINS INFORMATION THAT IS PROPRIETARY TO MOLEX ELECTRONIC TECHNOLOGIES, LLC AND SHOULD NOT BE USED WITHOUT WRITTEN PERMISSION											
QUALITY SYMBOLS ▽A = 0 ▽E = 0 ▽F = 0 ▼ = 0 ▽C = 0 ⊗ = 0 ■ = 0 ▽ = 0	EC NO: 640676	DRWN: ABABUPS	CHK'D: MRAMAKRISHNA	APPR: MRAMAKRISHNA	2020/07/01	2020/07/09	2020/07/09	GENERAL TOLERANCES (UNLESS SPECIFIED)			
	4 PLACES ±				mm		SCALE		1:1		
	3 PLACES ±				DRWN BY		DATE		SCHEONG 2016/09/14		
	2 PLACES ± 0.2				CHK'D BY		DATE		GMENARLY 2016/12/16		
	1 PLACE ±				APPR BY		DATE		KHLIM 2016/12/19		
	0 PLACES ±				DRAWING SIZE		THIRD ANGLE PROJECTION		A3		
	DRAFT WHERE APPLICABLE MUST REMAIN WITHIN DIMENSIONS					mm		SCALE		1:1	
						DRWN BY		DATE		SCHEONG 2016/09/14	
						CHK'D BY		DATE		GMENARLY 2016/12/16	
						APPR BY		DATE		KHLIM 2016/12/19	
RELEASE STATUS			RELEASE DATE			SERIES		MATERIAL NUMBER		CUSTOMER	
						87933		SEE TABLE		GENERAL MARKET	
DOCUMENT NUMBER						DOC TYPE		DOC PART		SHEET NUMBER	
SD-87933-0001						PSD		000		1 OF 5	



1.27MM PITCH SMT HEADER WITH CAP PACKED IN TUBE

PRODUCT CUSTOMER DRAWING

9		8		7		6		5	
P/N WITH CAP PACKED IN T&R	TOOLED	NOT TOOLED	P/N WITH CAP PACKED IN TUBE	PEG	CKT SIZE	PLATING OPTIONS	DIM. M		
87933-0422		X	-	N	04	1	1.65		
87933-0438		X	-	N	04	2	1.65		
87933-0439		X	-	N	04	3	1.65		
87933-0440		X	-	N	04	4	1.65		
87933-0446		X	-	N	04	5	1.65		
87933-0441		X	-	N	04	1	1.91		
87933-0442		X	-	N	04	2	1.91		
87933-0443		X	-	N	04	3	1.91		
87933-0444		X	-	N	04	4	1.91		
87933-0448		X	-	N	04	5	1.91		
87933-0425		X	-	N	04	1	3.05		
87933-0426		X	-	N	04	2	3.05		
87933-0427		X	-	N	04	3	3.05		
87933-0428		X	-	N	04	4	3.05		
87933-0424		X	-	N	04	5	3.05		
87933-0622	X		87933-0607	N	06	1	1.65		
87933-0638	X		87933-0608	N	06	2	1.65		
87933-0639	X		87933-0609	N	06	3	1.65		
87933-0640	X		87933-0610	N	06	4	1.65		
87933-0646	X		87933-0645	N	06	5	1.65		
87933-0641	X		87933-0611	N	06	1	1.91		
87933-0642	X		87933-0612	N	06	2	1.91		
87933-0643	X		87933-0613	N	06	3	1.91		
87933-0644	X		87933-0614	N	06	4	1.91		
87933-0648	X		87933-0647	N	06	5	1.91		
87933-0625	X		87933-0615	N	06	1	3.05		
87933-0626	X		87933-0616	N	06	2	3.05		
87933-0627	X		87933-0617	N	06	3	3.05		
87933-0628	X		87933-0618	N	06	4	3.05		
87933-0624	X		87933-0623	N	06	5	3.05		
87933-0822		X	87933-0807	N	08	1	1.65		
87933-0838		X	87933-0808	N	08	2	1.65		
87933-0839		X	87933-0809	N	08	3	1.65		
87933-0840		X	87933-0810	N	08	4	1.65		
87933-0846		X	87933-0845	N	08	5	1.65		
87933-0841		X	87933-0811	N	08	1	1.91		
87933-0842		X	87933-0812	N	08	2	1.91		
87933-0843		X	87933-0813	N	08	3	1.91		
87933-0844		X	87933-0814	N	08	4	1.91		
87933-0848		X	87933-0847	N	08	5	1.91		
87933-0825		X	87933-0815	N	08	1	3.05		
87933-0826		X	87933-0816	N	08	2	3.05		
87933-0827		X	87933-0817	N	08	3	3.05		

4		3		2		1	
P/N WITH CAP PACKED IN T&R	TOOLED	NOT TOOLED	P/N WITH CAP PACKED IN TUBE	PEG	CKT SIZE	PLATING OPTIONS	DIM. M
87933-0828		X	87933-0818	N	08	4	3.05
87933-0824	X		87933-0823	N	08	5	3.05
87933-1022	X		87933-1007	N	10	1	1.65
87933-1038	X		87933-1008	N	10	2	1.65
87933-1039	X		87933-1009	N	10	3	1.65
87933-1040	X		87933-1010	N	10	4	1.65
87933-1046	X		87933-1045	N	10	5	1.65
87933-1041	X		87933-1011	N	10	1	1.91
87933-1042	X		87933-1012	N	10	2	1.91
87933-1043	X		87933-1013	N	10	3	1.91
87933-1044	X		87933-1014	N	10	4	1.91
87933-1048	X		87933-1047	N	10	5	1.91
87933-1025	X		87933-1015	N	10	1	3.05
87933-1026	X		87933-1016	N	10	2	3.05
87933-1021	X		87933-1017	N	10	3	3.05
87933-1028	X		87933-1018	N	10	4	3.05
87933-1024	X		87933-1023	N	10	5	3.05
87933-1237		X	87933-1252	N	12	1	1.65
87933-1238		X	87933-1258	N	12	2	1.65
87933-1239		X	87933-1259	N	12	3	1.65
87933-1240		X	87933-1260	N	12	4	1.65
87933-1246		X	87933-1245	N	12	5	1.65
87933-1241		X	87933-1261	N	12	1	1.91
87933-1242		X	87933-1262	N	12	2	1.91
87933-1243		X	87933-1263	N	12	3	1.91
87933-1244		X	87933-1264	N	12	4	1.91
87933-1248		X	87933-1247	N	12	5	1.91
87933-1225		X	87933-1219	N	12	1	3.05
87933-1229		X	87933-1220	N	12	2	3.05
87933-1227		X	87933-1221	N	12	3	3.05
87933-1232		X	87933-1222	N	12	4	3.05
87933-1224		X	87933-1223	N	12	5	3.05


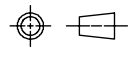
9		8		7		6		5	
P/N WITH CAP PACKED IN T&R	TOOLED	NOT TOOLED	P/N WITH CAP PACKED IN TUBE	PEG	CKT SIZE	PLATING OPTIONS	DIM. M		
87933-0840		X	87933-0810	N	08	4	1.65		
87933-0846		X	87933-0845	N	08	5	1.65		
87933-0841		X	87933-0811	N	08	1	1.91		
87933-0842		X	87933-0812	N	08	2	1.91		
87933-0843		X	87933-0813	N	08	3	1.91		
87933-0844		X	87933-0814	N	08	4	1.91		
87933-0848		X	87933-0847	N	08	5	1.91		
87933-0825		X	87933-0815	N	08	1	3.05		
87933-0826		X	87933-0816	N	08	2	3.05		
87933-0827		X	87933-0817	N	08	3	3.05		

QUALITY SYMBOLS 	THIS DRAWING CONTAINS INFORMATION THAT IS PROPRIETARY TO MOLEX ELECTRONIC TECHNOLOGIES, LLC AND SHOULD NOT BE USED WITHOUT WRITTEN PERMISSION												
	EC NO: 640676 DRWN: ABABUPS CHK'D: MRAMAKRISHNA APPR: MRAMAKRISHNA	2020/07/01	2020/07/09	2020/07/09	GENERAL TOLERANCES (UNLESS SPECIFIED)		DIMENSION UNITS	SCALE					
		2020/07/01	2020/07/09	2020/07/09	ANGULAR TOL ± 3.0 °		mm	NTS					
	4 PLACES ±	DRWN BY		DATE		SCHEONG	2016/09/14	1.27MM PITCH SMT HEADER WITH CAP PACKED IN TUBE					
	3 PLACES ±	CHK'D BY		DATE		GMENARLY	2016/12/16						
	2 PLACES ± 0.2	APPR BY		DATE		KHLIM	2016/12/19						
	1 PLACE ±	DRAWING SIZE		THIRD ANGLE PROJECTION		A3			PRODUCT CUSTOMER DRAWING				
	0 PLACES ±	DRAFT WHERE APPLICABLE MUST REMAIN WITHIN DIMENSIONS						SERIES				MATERIAL NUMBER	CUSTOMER
		C2		REV				78933	SEE TABLE	GENERAL MARKET			
		RELEASE STATUS		P1		RELEASE DATE		2020/07/09 08:57:48		DOCUMENT NUMBER			
									SD-87933-0001				
									DOC TYPE				
									PSD				
									DOC PART				
									000				
									SHEET NUMBER				
									3 OF 5				

9		8		7		6		5	
P/N WITH CAP PACKED IN T&R	TOOLED	NOT TOOLED	P/N WITH CAP PACKED IN TUBE	PEG	CKT SIZE	PLATING OPTIONS	DIM. M		
87933-1422		X	87933-1407	N	14	1	1.65		
87933-1438		X	87933-1408	N	14	2	1.65		
87933-1439		X	87933-1409	N	14	3	1.65		
87933-1440		X	87933-1410	N	14	4	1.65		
87933-1446		X	87933-1445	N	14	5	1.65		
87933-1441		X	87933-1411	N	14	1	1.91		
87933-1442		X	87933-1412	N	14	2	1.91		
87933-1443		X	87933-1413	N	14	3	1.91		
87933-1444		X	87933-1414	N	14	4	1.91		
87933-1448		X	87933-1447	N	14	5	1.91		
87933-1425		X	87933-1415	N	14	1	3.05		
87933-1426		X	87933-1416	N	14	2	3.05		
87933-1427		X	87933-1417	N	14	3	3.05		
87933-1428		X	87933-1418	N	14	4	3.05		
87933-1424		X	87933-1423	N	14	5	3.05		
87933-1622		X	87933-1607	N	16	1	1.65		
87933-1638		X	87933-1608	N	16	2	1.65		
87933-1639		X	87933-1609	N	16	3	1.65		
87933-1640		X	87933-1610	N	16	4	1.65		
87933-1646		X	87933-1645	N	16	5	1.65		
87933-1641		X	87933-1611	N	16	1	1.91		
87933-1642		X	87933-1612	N	16	2	1.91		
87933-1643		X	87933-1613	N	16	3	1.91		
87933-1644		X	87933-1614	N	16	4	1.91		
87933-1648		X	87933-1647	N	16	5	1.91		
87933-1625		X	87933-1615	N	16	1	3.05		
87933-1626		X	87933-1616	N	16	2	3.05		
87933-1627		X	87933-1617	N	16	3	3.05		
87933-1628		X	87933-1618	N	16	4	3.05		
87933-1624		X	87933-1623	N	16	5	3.05		
87933-1822		X	87933-1807	N	18	1	1.65		
87933-1838		X	87933-1808	N	18	2	1.65		
87933-1839		X	87933-1809	N	18	3	1.65		
87933-1840		X	87933-1810	N	18	4	1.65		
87933-1846		X	87933-1845	N	18	5	1.65		
87933-1841		X	87933-1811	N	18	1	1.91		
87933-1842		X	87933-1812	N	18	2	1.91		
87933-1843		X	87933-1813	N	18	3	1.91		
87933-1844		X	87933-1814	N	18	4	1.91		
87933-1848		X	87933-1847	N	18	5	1.91		
87933-1825		X	87933-1815	N	18	1	3.05		
87933-1826		X	87933-1816	N	18	2	3.05		
87933-1827		X	87933-1817	N	18	3	3.05		

4		3		2		1	
P/N WITH CAP PACKED IN T&R	TOOLED	NOT TOOLED	P/N WITH CAP PACKED IN TUBE	PEG	CKT SIZE	PLATING OPTIONS	DIM. M
87933-1828	X		87933-1818	N	18	4	3.05
87933-1824	X		87933-1823	N	18	5	3.05
87933-2037	X		87933-2007	N	20	1	1.65
87933-2038	X		87933-2008	N	20	2	1.65
87933-2039	X		87933-2009	N	20	3	1.65
87933-2040	X		87933-2010	N	20	4	1.65
87933-2046	X		87933-2045	N	20	5	1.65
87933-2041	X		87933-2011	N	20	1	1.91
87933-2042	X		87933-2012	N	20	2	1.91
87933-2043	X		87933-2013	N	20	3	1.91
87933-2044	X		87933-2014	N	20	4	1.91
87933-2048	X		87933-2047	N	20	5	1.91
87933-2025	X		87933-2015	N	20	1	3.05
87933-2026	X		87933-2016	N	20	2	3.05
87933-2027	X		87933-2017	N	20	3	3.05
87933-2021	X		87933-2018	N	20	4	3.05
87933-2024	X		87933-2023	N	20	5	3.05
87933-2237		X	87933-2207	N	22	1	1.65
87933-2238		X	87933-2208	N	22	2	1.65
87933-2239		X	87933-2209	N	22	3	1.65
87933-2240		X	87933-2210	N	22	4	1.65
87933-2246		X	87933-2245	N	22	5	1.65
87933-2241		X	87933-2211	N	22	1	1.91
87933-2242		X	87933-2212	N	22	2	1.91
87933-2243		X	87933-2213	N	22	3	1.91
87933-2244		X	87933-2214	N	22	4	1.91
87933-2248		X	87933-2247	N	22	5	1.91
87933-2225		X	87933-2215	N	22	1	3.05
87933-2226		X	87933-2216	N	22	2	3.05
87933-2227		X	87933-2217	N	22	3	3.05
87933-2228		X	87933-2218	N	22	4	3.05
87933-2224		X	87933-2223	N	22	5	3.05

9		8		7		6		5	
P/N WITH CAP PACKED IN T&R	TOOLED	NOT TOOLED	P/N WITH CAP PACKED IN TUBE	PEG	CKT SIZE	PLATING OPTIONS	DIM. M		
87933-1840		X	87933-1810	N	18	4	1.65		
87933-1846		X	87933-1845	N	18	5	1.65		
87933-1841		X	87933-1811	N	18	1	1.91		
87933-1842		X	87933-1812	N	18	2	1.91		
87933-1843		X	87933-1813	N	18	3	1.91		
87933-1844		X	87933-1814	N	18	4	1.91		
87933-1848		X	87933-1847	N	18	5	1.91		
87933-1825		X	87933-1815	N	18	1	3.05		
87933-1826		X	87933-1816	N	18	2	3.05		
87933-1827		X	87933-1817	N	18	3	3.05		

QUALITY SYMBOLS = 0 = 0 = 0 = 0 ▽ = 0 ⊠ = 0 ■ = 0 ▽ = 0	THIS DRAWING CONTAINS INFORMATION THAT IS PROPRIETARY TO MOLEX ELECTRONIC TECHNOLOGIES, LLC AND SHOULD NOT BE USED WITHOUT WRITTEN PERMISSION										
	EC NO: 640676 DRWN: ABABUPS CHK'D: MRAMAKRISHNA APPR: MRAMAKRISHNA	2020/07/01	2020/07/09	2020/07/09	GENERAL TOLERANCES (UNLESS SPECIFIED)		DIMENSION UNITS	SCALE	 1.27MM PITCH SMT HEADER WITH CAP PACKED IN TUBE		
					ANGULAR TOL ± 3.0 °		mm	NTS			
				4 PLACES ±	DRWN BY		DATE				
				3 PLACES ±	SCHEONG		2016/09/14				
				2 PLACES ± 0.2	CHK'D BY		DATE				
				1 PLACE ±	GMENARLY		2016/12/16				
				0 PLACES ±	APPR BY		DATE				
				DRAFT WHERE APPLICABLE MUST REMAIN WITHIN DIMENSIONS		KHLIM		2016/12/19	PRODUCT CUSTOMER DRAWING		
						DRAWING SIZE	THIRD ANGLE PROJECTION	SERIES	MATERIAL NUMBER	CUSTOMER	
					A3		87933	SEE TABLE	GENERAL MARKET		
							DOCUMENT NUMBER	DOC TYPE	DOC PART	SHEET NUMBER	
							SD-87933-0001	PSD	000	4 OF 5	

P/N WITH CAP PACKED IN T&R	TOOLED	NOT TOOLED	P/N WITH CAP PACKED IN TUBE	PEG	CKT SIZE	PLATING OPTIONS	DIM. M
87933-2437		X	87933-2407	N	24	1	1.65
87933-2438		X	87933-2408	N	24	2	1.65
87933-2439		X	87933-2409	N	24	3	1.65
87933-2440		X	87933-2410	N	24	4	1.65
87933-2446		X	87933-2445	N	24	5	1.65
87933-2441		X	87933-2411	N	24	1	1.91
87933-2442		X	87933-2412	N	22	2	1.91
87933-2443		X	87933-2413	N	24	3	1.91
87933-2444		X	87933-2414	N	24	4	1.91
87933-2448		X	87933-2447	N	24	5	1.91
87933-2425		X	87933-2415	N	24	1	3.05
87933-2426		X	87933-2416	N	24	2	3.05
87933-2427		X	87933-2417	N	24	3	3.05
87933-2428		X	87933-2418	N	24	4	3.05
87933-2424		X	87933-2423	N	24	5	3.05

THIS DRAWING CONTAINS INFORMATION THAT IS PROPRIETARY TO MOLEX ELECTRONIC TECHNOLOGIES, LLC AND SHOULD NOT BE USED WITHOUT WRITTEN PERMISSION														
QUALITY SYMBOLS 	EC NO: 640676 DRWN: ABABUPS CHK'D: MRAMAKRISHNA APPR: MRAMAKRISHNA	2020/07/01 2020/07/09 2020/07/09	GENERAL TOLERANCES (UNLESS SPECIFIED)		DIMENSION UNITS	SCALE								
			ANGULAR TOL ± 3.0 °		mm	NTS								
			4 PLACES ±		DRWN BY	DATE								
			3 PLACES ±		SCHEONG	2016/09/14	CHK'D BY		DATE	1.27MM PITCH SMT HEADER WITH CAP PACKED IN TUBE				
			2 PLACES ± 0.2		GMENARLY	2016/12/16	APPR BY		DATE					
			1 PLACE ±		KHLIM	2016/12/19	DRAWING SIZE		THIRD ANGLE PROJECTION	PRODUCT CUSTOMER DRAWING				
			0 PLACES ±		DRAFT WHERE APPLICABLE MUST REMAIN WITHIN DIMENSIONS		A3							
											SERIES	MATERIAL NUMBER	CUSTOMER	
											87933	SEE TABLE	GENERAL MARKET	
											DOCUMENT NUMBER		DOC TYPE	DOC PART
								SD-87933-0001		PSD	000	5 OF 5		