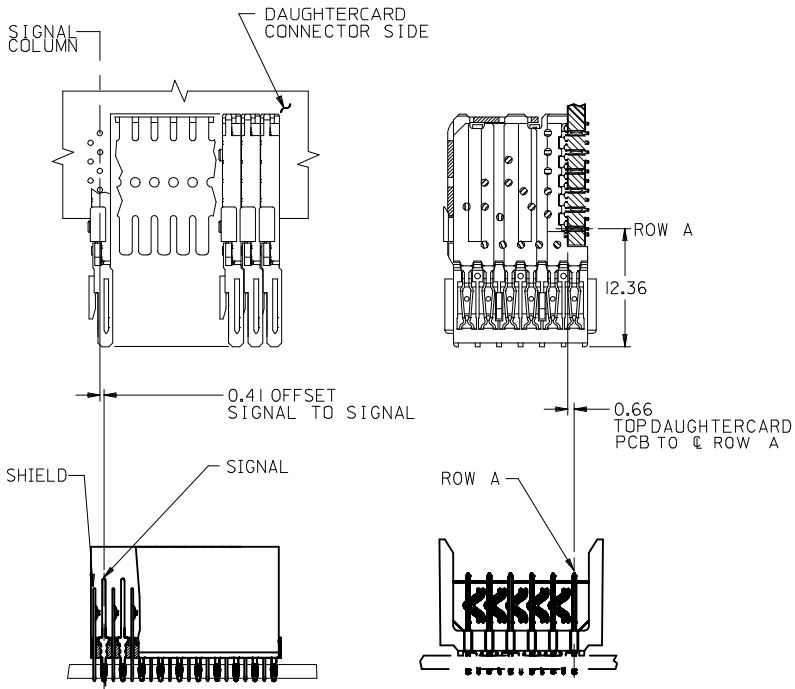


NOTES:

- MATERIALS:  
HOUSING - LIQUID CRYSTAL POLYMER (LCP)  
GLASS FILLED, UL94V-0, BLACK  
SIGNAL PIN AND SHIELD - COPPER ALLOY
- FINISHES:  
CONTACT AREA - SELECTIVE GOLD (Au)  
PCB TAILS - SELECTIVE MATTE TIN (Sn)
- THIS PART CONFORMS TO MOLEX PRODUCT SPECIFICATION PS-74031-999.
- FOR MIXED CONTACT LENGTH CONTACT MOLEX FOR AVAILABILITY.
- FOR SPECIFIC MATERIAL NUMBERS AND MATING INFORMATION REFER TO SHEET 2.
- PACKAGE PER PK-74057-003.
- ASSEMBLY WILL BE MARKED WITH P/N AND DATE CODE WITH LASER MARK ON SIDE OF HOUSING OR BY LABEL ON THE TUBE.
- MAPS (MOLEX ADVANCED PLATING SYSTEM)

UPDATE HOUSING EC NO: UCP2016-3618 2016/03/21 DRW:VANG01 CHK:DMORGAN 2016/03/21 APPR:SMILLER 2016/04/13	QUALITY SYMBOLS ▽=0 ▽=0 ▽=0	GENERAL TOLERANCES (UNLESS SPECIFIED)		DIMENSION STYLE MM ONLY	SCALE 4:1	DESIGN UNITS METRIC	THIRD ANGLE PROJECTION								
		4 PLACES ± --- ± ---	3 PLACES ± --- ± ---	2 PLACES ± 0.15 ± ---	1 PLACE ± 0.25 ± ---	0 PLACE ± --- ± ---	ANGULAR ±1/2°	DRAFT WHERE APPLICABLE MUST REMAIN WITHIN DIMENSIONS	DRAWN BY J JONIAK	DATE 2008/07/09	CHECKED BY J JONIAK	DATE 2008/07/09	APPROVED BY SMILLER	DATE 2010/03/09	TITLE VHDM H-SERIES 6 ROW OPEN END BACKPLANE SALES DRAWING
REV G	DESCRIPTION	SIZE C		MATERIAL NO. SEE SHT.2		THIS DRAWING CONTAINS INFORMATION THAT IS PROPRIETARY TO MOLEX. INCORPORATED AND SHOULD NOT BE USED WITHOUT WRITTEN PERMISSION									



LEAD FREE CHART

PART NUMBER	COLUMN	NUMBER OF SIGNAL PIN	NUMBER OF SHIELD	A	B	M	GOLD THICKNESS MICROMETER	TIN THICKNESS MICROMETER
76763-6001	10	60	10	20.00	18.00	4.75	0.25 MAPS	0.76-152
76763-9001							0.76	
76763-9006							1.27	
76763-6501	15	90	15	30.00	28.00		0.25 MAPS	
76763-9501							0.76	
76763-9506							1.27	
76763-7001	25	150	25	50.00	48.00	0.25 MAPS		
76763-8501						0.76		
76763-8506						1.27		
76763-6002	10	60	10	20.00	18.00	0.25 MAPS		
76763-9002						0.76		
76763-9007						1.27		
76763-6502	15	90	15	30.00	28.00	0.25 MAPS		
76763-9502						0.76		
76763-9507						1.27		
76763-7002	25	150	25	50.00	48.00	0.25 MAPS		
76763-8502						0.76		
76763-8507						1.27		
76763-6003	10	60	10	20.00	18.00	0.25 MAPS		
76763-9003						0.76		
76763-9008						1.27		
76763-6503	15	90	15	30.00	28.00	0.25 MAPS		
76763-9503						0.76		
76763-9508						1.27		
76763-7003	25	150	25	50.00	48.00	0.25 MAPS		
76763-8503						0.76		
76763-8508						1.27		
76763-6004	10	60	10	20.00	18.00	0.25 MAPS		
76763-9004						0.76		
76763-9009						1.27		
76763-6504	15	90	15	30.00	28.00	0.25 MAPS		
76763-9504						0.76		
76763-9509						1.27		
76763-7004	25	150	25	50.00	48.00	0.25 MAPS		
76763-8504						0.76		
76763-8509						1.27		

MATERIAL NUMBER ASSIGNMENT

76763-\*\*-\*\*

SEE TABLES

- NUMBER OF COLUMNS/PLATING
- 10 = 10 COLUMN MATTE TIN (FORMERLY TIN/LEAD)
  - 15 = 15 COLUMN MATTE TIN (FORMERLY TIN/LEAD)
  - 25 = 25 COLUMN MATTE TIN (FORMERLY TIN/LEAD)
  - 60 = 10 COLUMN MATTE TIN (MAPS)
  - 65 = 15 COLUMN MATTE TIN (MAPS)
  - 70 = 25 COLUMN MATTE TIN (MAPS)
  - 90 = 10 COLUMN MATTE TIN
  - 95 = 15 COLUMN MATTE TIN
  - 85 = 25 COLUMN MATTE TIN

LEAD FREE (FORMERLY TIN/LEAD) CHART

PART NUMBER	COLUMN	NUMBER OF SIGNAL PIN	NUMBER OF SHIELD	A	B	M	GOLD THICKNESS MICROMETER	TIN THICKNESS MICROMETER
76763-1001	10	60	10	20.00	18.00	4.75	0.76	0.76-152
76763-1006							1.27	
76763-1501							15	
76763-1506	1.27							
76763-2501	25	150	25	50.00	48.00			
76763-2506							1.27	
76763-1002						10	60	
76763-1007	1.27							
76763-1502	15	90	15	30.00	28.00			
76763-1507						1.27		
76763-2502						25	150	
76763-2507	1.27							
76763-1003	10	60	10	20.00	18.00			
76763-1008						1.27		
76763-1503						15	90	
76763-1508	1.27							
76763-2503	25	150	25	50.00	48.00			
76763-2508						1.27		
76763-1004						10	60	10
76763-1009	1.27							
76763-1504	15	90	15	30.00	28.00			
76763-1509						1.27		
76763-2504						25	150	25
76763-2509	1.27							

QUALITY SYMBOLS

SEE SHEET 1

EC NO: UCP2016-3618

DRWNS:VANG01 2016/03/21

CHKD:MORGAN 2016/03/21

APPR:SMILLER 2016/04/13

REVISION

GENERAL TOLERANCES (UNLESS SPECIFIED)

	mm	INCH
4 PLACES	± ---	± ---
3 PLACES	± ---	± ---
2 PLACES	± 0.15	± ---
1 PLACE	± 0.25	± ---
0 PLACE	± ---	± ---

ANGULAR ±1/2°

DRAFT WHERE APPLICABLE MUST REMAIN WITHIN DIMENSIONS

DIMENSION STYLE MM ONLY

SCALE 2:1

DESIGN UNITS METRIC

THIRD ANGLE PROJECTION

DRAWN BY J JONIAK DATE 2008/07/09

CHECKED BY J JONIAK DATE 2008/07/09

APPROVED BY SMILLER DATE 2010/03/09

MATERIAL NO. SEE TABLE

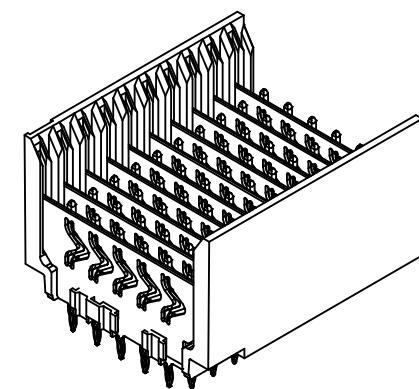
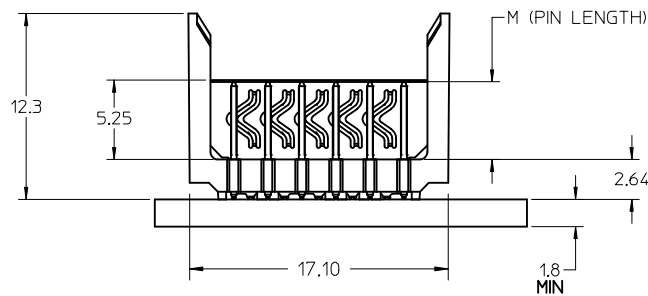
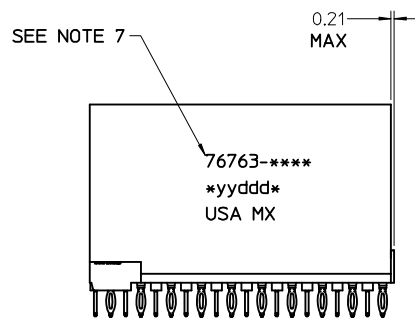
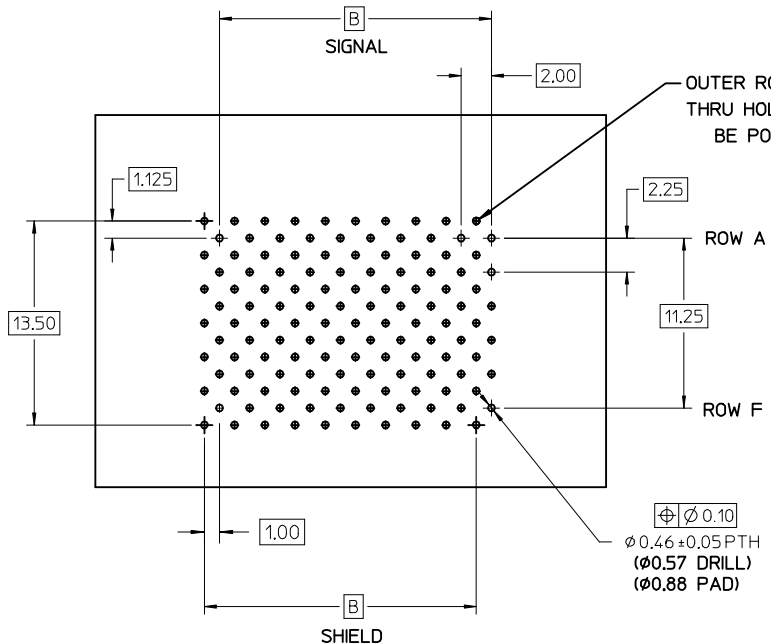
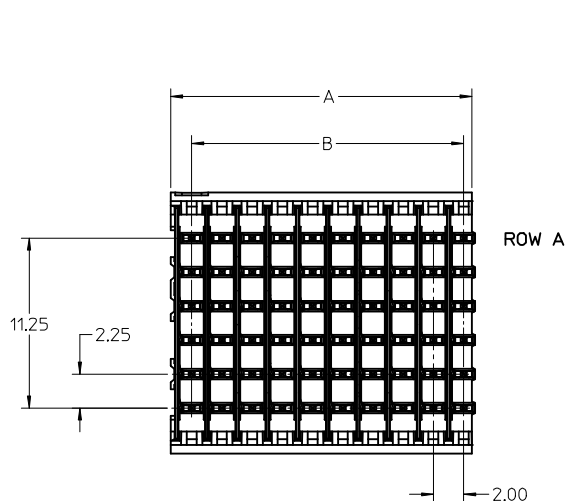
DOCUMENT NO. SD-76763-001

SHEET NO. 2 OF 2

VHDM H-SERIES 6 ROW OPEN END BACKPLANE SALES DRAWING

**molex**

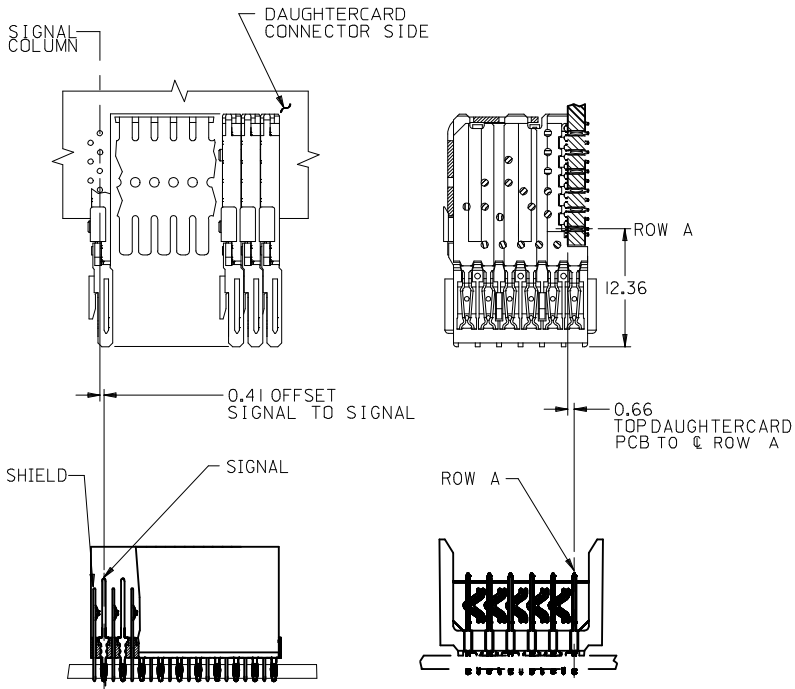
THIS DRAWING CONTAINS INFORMATION THAT IS PROPRIETARY TO MOLEX INCORPORATED AND SHOULD NOT BE USED WITHOUT WRITTEN PERMISSION



**NOTES:**

1. MATERIALS:  
HOUSING - LIQUID CRYSTAL POLYMER (LCP)  
GLASS FILLED, UL94V-0, BLACK  
SIGNAL PIN AND SHIELD - COPPER ALLOY
2. FINISHES:  
CONTACT AREA - SELECTIVE GOLD (Au)  
PCB TAILS - SELECTIVE MATTE TIN (Sn)
3. THIS PART CONFORMS TO MOLEX PRODUCT SPECIFICATION PS-74031-999.
4. FOR MIXED CONTACT LENGTH CONTACT MOLEX FOR AVAILABILITY.
5. FOR SPECIFIC MATERIAL NUMBERS AND MATING INFORMATION REFER TO SHEET 2.
6. PACKAGE PER PK-74057-003.
7. ASSEMBLY WILL BE MARKED WITH P/N AND DATE CODE WITH LASER MARK ON SIDE OF HOUSING OR BY LABEL ON THE TUBE.
8. MAPS (MOLEX ADVANCED PLATING SYSTEM)

UPDATE HOUSING EC NO: UCP2016-3618 2016/03/21 DRW:VANG01 CHK:DMORGAN 2016/03/21 APPR:SMILLER 2016/04/13	DESCRIPTION REV	QUALITY SYMBOLS ▽=0 ▽=0 ▽=0	GENERAL TOLERANCES (UNLESS SPECIFIED)		DIMENSION STYLE MM ONLY	SCALE 4:1	DESIGN UNITS METRIC	THIRD ANGLE PROJECTION					
			4 PLACES ± --- ± ---	3 PLACES ± --- ± ---	2 PLACES ± 0.15 ± ---	1 PLACE ± 0.25 ± ---	0 PLACE ± --- ± ---	DRAWN BY J JONIAK	DATE 2008/07/09	CHECKED BY J JONIAK	DATE 2008/07/09	APPROVED BY SMILLER	DATE 2010/03/09
ANGULAR ±1/2°			DRAFT WHERE APPLICABLE MUST REMAIN WITHIN DIMENSIONS		MATERIAL NO. SEE SHT.2	THIS DRAWING CONTAINS INFORMATION THAT IS PROPRIETARY TO MOLEX. INCORPORATED AND SHOULD NOT BE USED WITHOUT WRITTEN PERMISSION							



LEAD FREE CHART

MATERIAL NUMBER ASSIGNMENT

76763-\*\*-\*\*

SEE TABLES

- NUMBER OF COLUMNS/PLATING
- 10 = 10 COLUMN MATTE TIN (FORMERLY TIN/LEAD)
  - 15 = 15 COLUMN MATTE TIN (FORMERLY TIN/LEAD)
  - 25 = 25 COLUMN MATTE TIN (FORMERLY TIN/LEAD)
  - 60 = 10 COLUMN MATTE TIN (MAPS)
  - 65 = 15 COLUMN MATTE TIN (MAPS)
  - 70 = 25 COLUMN MATTE TIN (MAPS)
  - 90 = 10 COLUMN MATTE TIN
  - 95 = 15 COLUMN MATTE TIN
  - 85 = 25 COLUMN MATTE TIN

LEAD FREE (FORMERLY TIN/LEAD) CHART

PART NUMBER	COLUMN	NUMBER OF SIGNAL PIN	NUMBER OF SHIELD	A	B	M	GOLD THICKNESS MICROMETER	TIN THICKNESS MICROMETER
76763-6001								
76763-9001	10	60	10	20.00	18.00	4.75	0.25 MAPS	0.76-152
76763-9006							0.76	
76763-6501							1.27	
76763-9501	15	90	15	30.00	28.00	0.25 MAPS		
76763-9506						0.76		
76763-7001						1.27		
76763-8501	25	150	25	50.00	48.00	0.25 MAPS		
76763-8506						0.76		
76763-6002						1.27		
76763-9002	10	60	10	20.00	18.00	6.25	0.25 MAPS	
76763-9007							0.76	
76763-6502							1.27	
76763-9502	15	90	15	30.00	28.00	0.25 MAPS		
76763-9507						0.76		
76763-7002						1.27		
76763-8502	25	150	25	50.00	48.00	0.25 MAPS		
76763-8507						0.76		
76763-6003						1.27		
76763-9003	10	60	10	20.00	18.00	4.25	0.25 MAPS	
76763-9008							0.76	
76763-6503							1.27	
76763-9503	15	90	15	30.00	28.00	0.25 MAPS		
76763-9508						0.76		
76763-7003						1.27		
76763-8503	25	150	25	50.00	48.00	0.25 MAPS		
76763-8508						0.76		
76763-6004						1.27		
76763-9004	10	60	10	20.00	18.00	5.15	0.25 MAPS	
76763-9009							0.76	
76763-6504							1.27	
76763-9504	15	90	15	30.00	28.00	0.25 MAPS		
76763-9509						0.76		
76763-7004						1.27		
76763-8504	25	150	25	50.00	48.00	0.25 MAPS		
76763-8509						0.76		
						1.27		

PART NUMBER	COLUMN	NUMBER OF SIGNAL PIN	NUMBER OF SHIELD	A	B	M	GOLD THICKNESS MICROMETER	TIN THICKNESS MICROMETER
76763-1001							0.76	0.76-152
76763-1006	10	60	10	20.00	18.00	4.75	1.27	
76763-1501	15	90	15	30.00	28.00		0.76	
76763-1506							1.27	
76763-2501	25	150	25	50.00	48.00	0.76		
76763-2506						1.27		
76763-1002	10	60	10	20.00	18.00	6.25	0.76	
76763-1007							1.27	
76763-1502	15	90	15	30.00	28.00		0.76	
76763-1507						1.27		
76763-2502	25	150	25	50.00	48.00	4.25	0.76	
76763-2507							1.27	
76763-1003	10	60	10	20.00	18.00		0.76	
76763-1008						1.27		
76763-1503	15	90	15	30.00	28.00	0.76		
76763-1508						1.27		
76763-2503	25	150	25	50.00	48.00	5.15	0.76	
76763-2508							1.27	
76763-1004	10	60	10	20.00	18.00		0.76	
76763-1009						1.27		
76763-1504	15	90	15	30.00	28.00	0.76		
76763-1509						1.27		
76763-2504	25	150	25	50.00	48.00	0.76		
76763-2509						1.27		

<p>SEE SHEET 1</p> <p>EC NO: UCP2016-3618</p> <p>DRWNSVANG01 2016/03/21</p> <p>CHKD:MORGAN 2016/03/21</p> <p>APPR:SMILLER 2016/04/13</p>	<p>QUALITY SYMBOLS</p> <p>▽=0</p> <p>▽=0</p> <p>▽=0</p>	<p>GENERAL TOLERANCES (UNLESS SPECIFIED)</p>		<p>DIMENSION STYLE</p> <p><b>MM ONLY</b></p>		<p>SCALE</p> <p><b>2:1</b></p>	<p>DESIGN UNITS</p> <p><b>METRIC</b></p>	<p>THIRD ANGLE PROJECTION</p>	
		<p>4 PLACES ± --- ± ---</p> <p>3 PLACES ± --- ± ---</p> <p>2 PLACES ± 0.15 ± ---</p> <p>1 PLACE ± 0.25 ± ---</p> <p>0 PLACE ± --- ± ---</p>		<p>DRAWN BY DATE</p> <p>JJONIAK 2008/07/09</p> <p>CHECKED BY DATE</p> <p>JJONIAK 2008/07/09</p> <p>APPROVED BY DATE</p> <p>SMILLER 2010/03/09</p>		<p>VHDM H-SERIES 6 ROW</p> <p>OPEN END BACKPLANE</p> <p>SALES DRAWING</p>			
		<p>ANGULAR ±1/2°</p>		<p>MATERIAL NO.</p> <p><b>SEE TABLE</b></p>		<p>DOCUMENT NO.</p> <p><b>SD-76763-001</b></p>		<p>SHEET NO.</p> <p><b>2 OF 2</b></p>	
		<p>DRAFT WHERE APPLICABLE MUST REMAIN WITHIN DIMENSIONS</p> <p>THIS DRAWING CONTAINS INFORMATION THAT IS PROPRIETARY TO MOLEX INCORPORATED AND SHOULD NOT BE USED WITHOUT WRITTEN PERMISSION</p>							