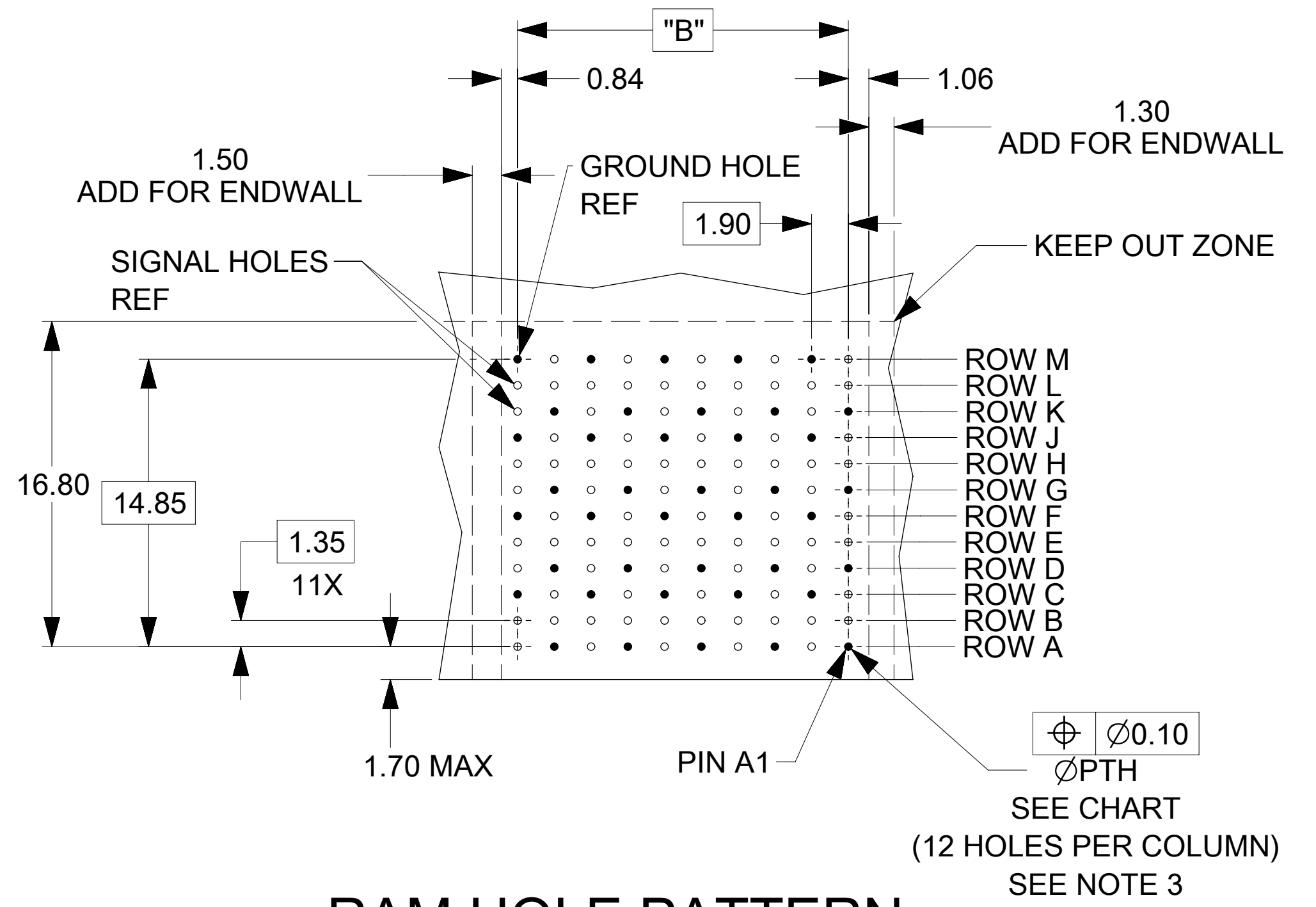
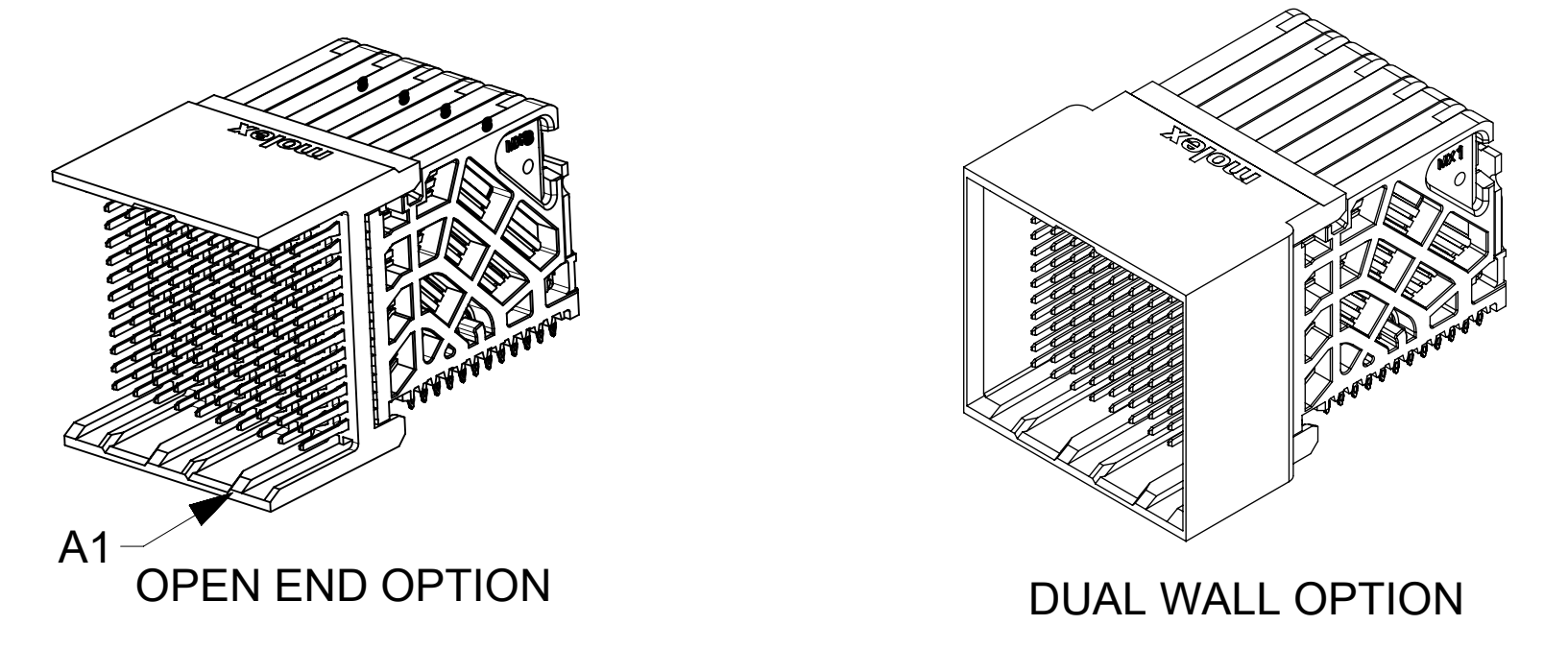
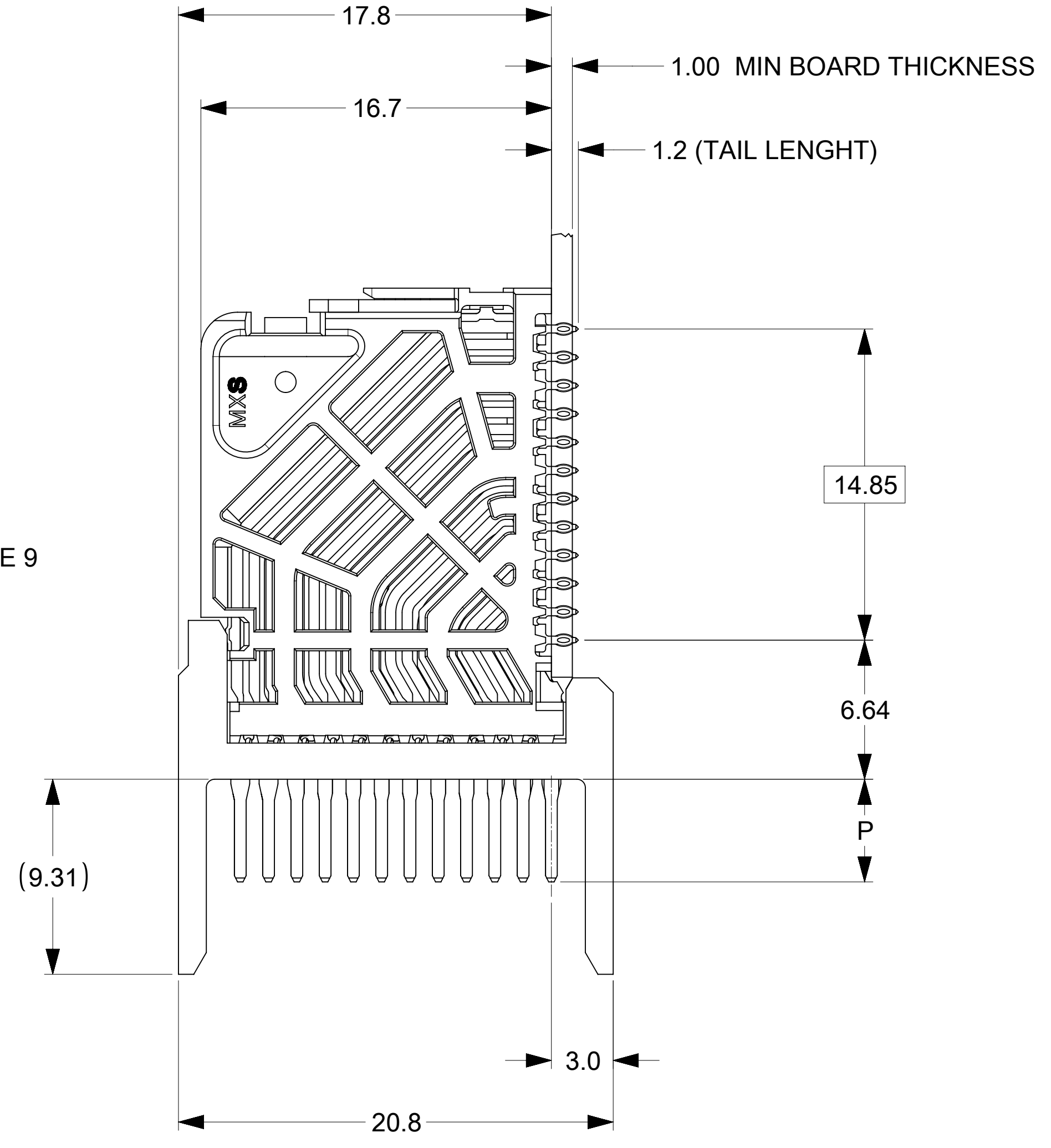
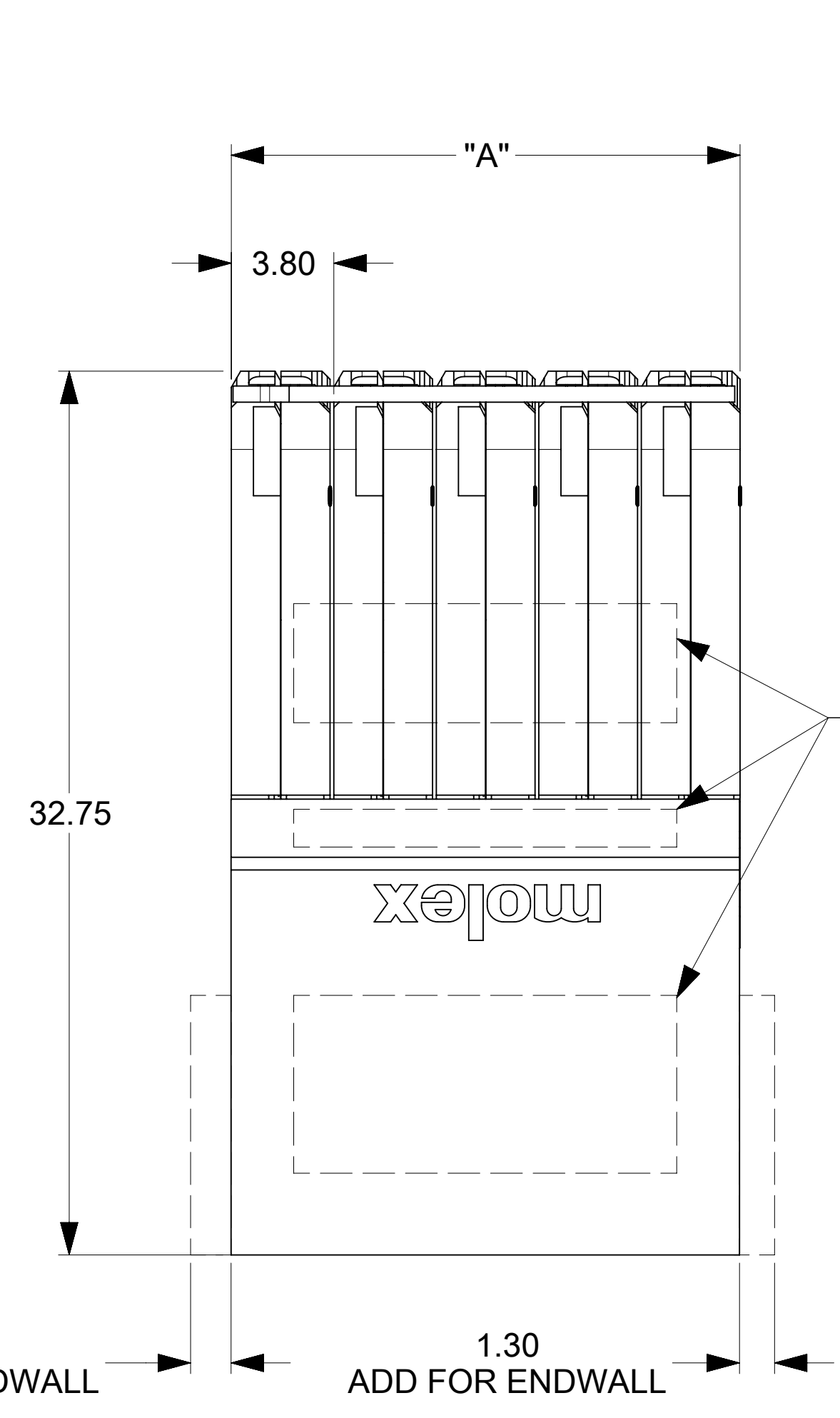


MATERIAL NUMBER	# OF COLUMNS	# OF DIFF PAIR	DIM "A" MAX	DIM "B"	PTH ϕ
76500-*8**	8	32	15.20	13.30	0.46 \pm 0.05
76500-*1**	10	40	19.00	17.10	0.46 \pm 0.05
76500-*6**	16	64	30.40	28.50	0.46 \pm 0.05
76500-*8**	8	32	15.20	13.30	0.39 \pm 0.05
76500-*1**	10	40	19.00	17.10	0.39 \pm 0.05
76500-*6**	16	64	30.40	28.50	0.39 \pm 0.05

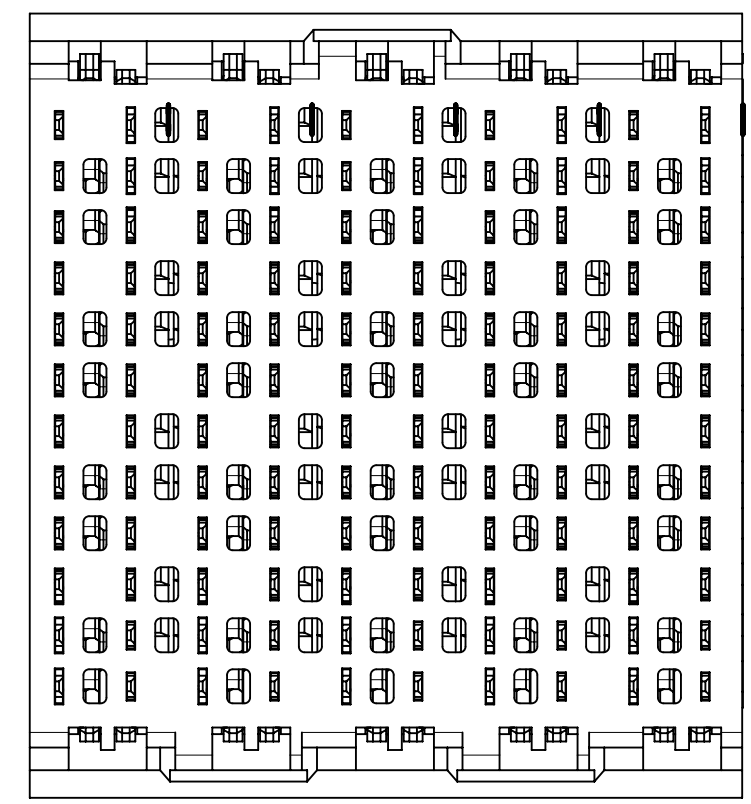
76500-****

- MODULE TYPE**
1 = UNGUIDED, LEAD-FREE
- # OF COLUMNS**
1 = 10 COLUMNS
6 = 16 COLUMNS
8 = 8 COLUMNS
- PIN LENGTH (P)**
4 = 4.90 (0.46 PTH)
5 = 5.50 (0.46 PTH)
7 = 4.90 (0.39 PTH)
8 = 5.50 (0.39 PTH)
- END WALL OPTIONS**
0 = OPEN ENDS
1 = LEFT ENDWALL
2 = DUAL ENDWALL
3 = RIGHT ENDWALL

- NOTES:
- MATERIALS: HOUSING - LIQUID CRYSTAL POLYMER (LCP), GLASS-FILLED, UL94V-0
TERMINALS - HIGH PERFORMANCE COPPER ALLOY
 - FINISH: 30 μ IN SELECTIVE GOLD IN CONTACT AREA, SELECTIVE TIN ON PCB TAILS, NICKEL OVERALL.
 - REFER TO MOLEX PRODUCT SPECIFICATION PS-76060-999 FOR PERFORMANCE SPECIFICATIONS AND ADDITIONAL PCB INFORMATION.
 - EACH SIGNAL WAFER CONTAINS 2 COLUMNS OF TERMINALS.
 - PRODUCT IS PACKAGED PER PK-70873-041.
 - THIS PART CONFORMS TO CLASS B REQUIREMENTS OF COSMETIC SPEC PS-45499-002.
 - REFER TO MOLEX SALES DRAWING SD-76160-001 FOR THE MATING RECEPTACLES.
 - REFER TO MOLEX PCB ROUTING GUIDE AS-76060-990 FOR ANTIPAD AND ROUTING RECOMMENDATIONS.
 - MARKING: LOCATED APPROXIMATELY AS SHOWN. PART NUMBER AND DATE CODE.

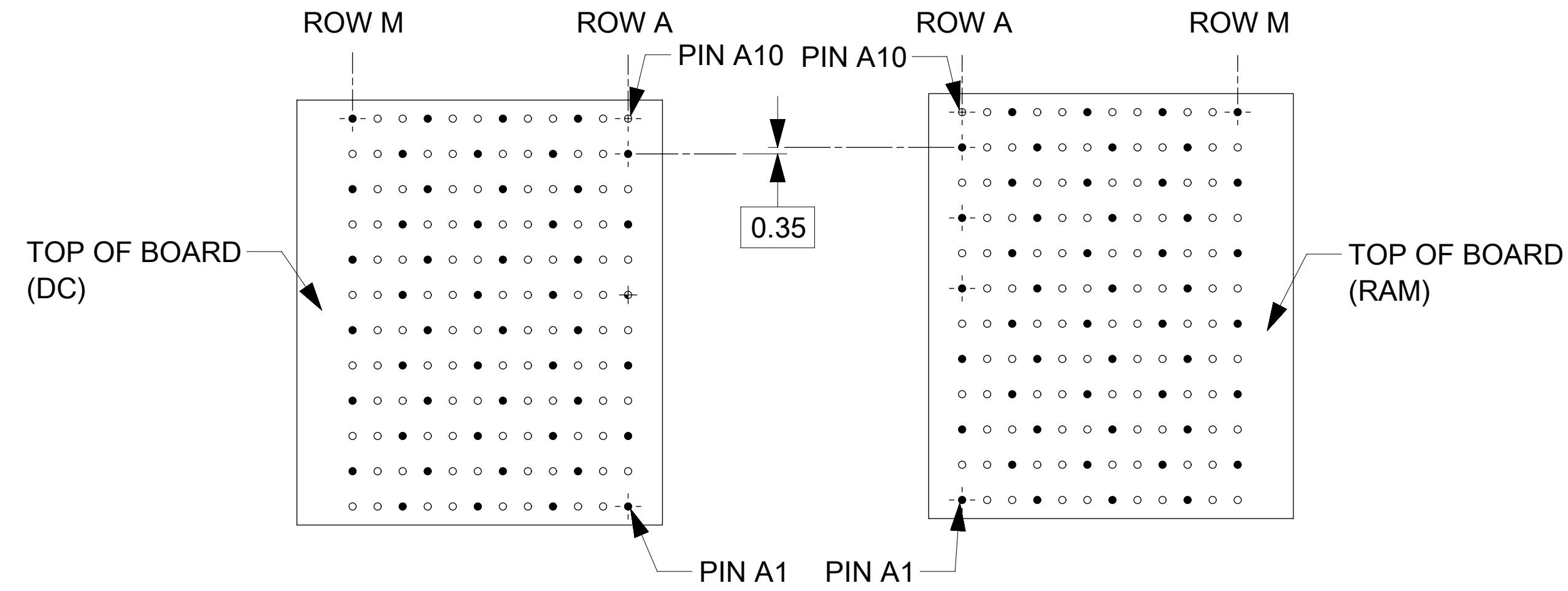
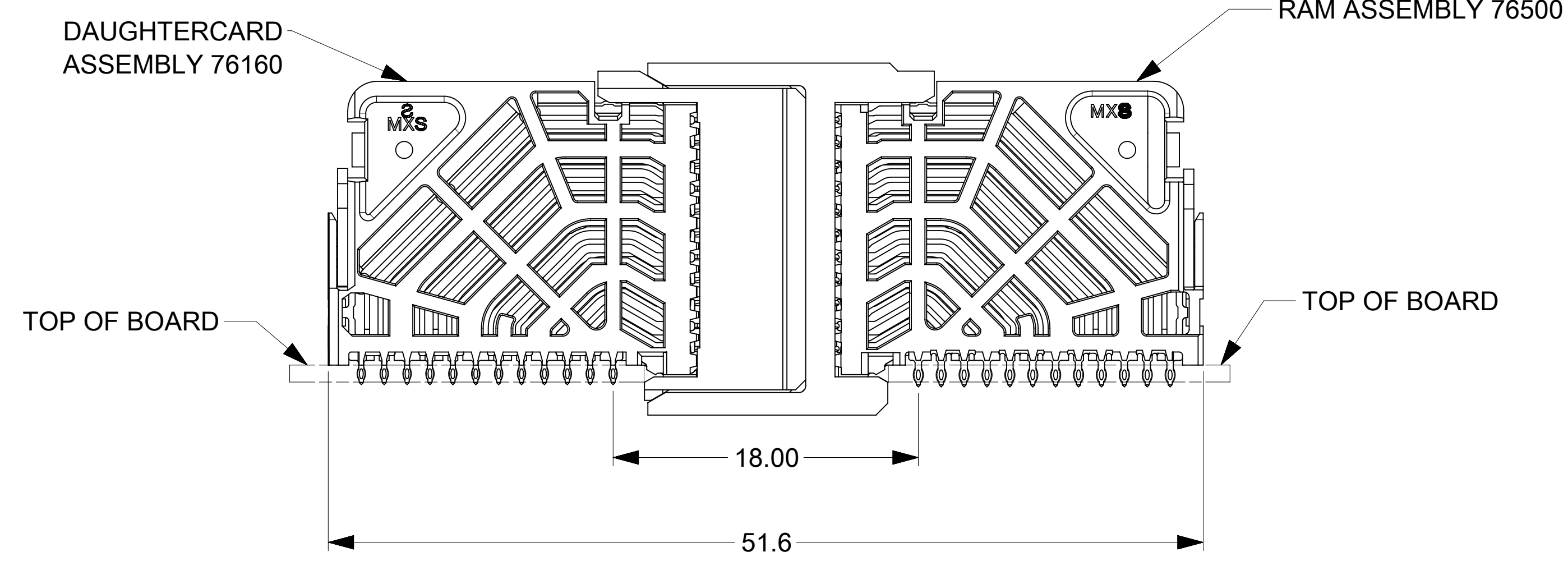


RAM HOLE PATTERN (CONNECTOR SIDE)

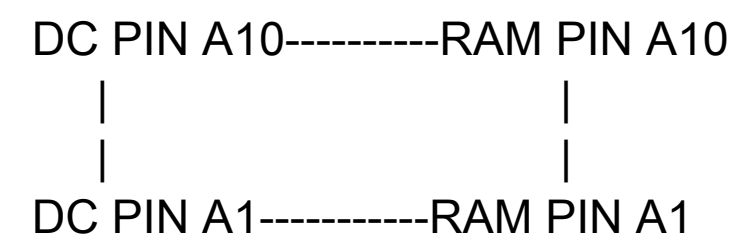


THIS DRAWING CONTAINS INFORMATION THAT IS PROPRIETARY TO MOLEX ELECTRONIC TECHNOLOGIES, LLC AND SHOULD NOT BE USED WITHOUT WRITTEN PERMISSION											
DIMENSION UNITS: mm		SCALE: NTS		CURRENT REV DESC: REMASTERED TO NX						molex	
GENERAL TOLERANCES (UNLESS SPECIFIED)				EC NO: 705090							
ANGULAR TOL \pm 0.5°				DRWN: DYARAS 2021/12/07						IMPACT 4 PAIR RAM	
4 PLACES \pm				CHK'D: YOGEEB 2022/02/09						UNGUIDED SIGNAL MODULE SALES DRAWING	
3 PLACES \pm				APPR: LZENG 2022/05/13						PRODUCT CUSTOMER DRAWING	
2 PLACES \pm 0.13				INITIAL REVISION:						DOCUMENT NUMBER	
1 PLACE \pm 0.25				DRWN: JQUILES 2009/01/12						SD-76500-001	
0 PLACES \pm				APPR: JLAURX 2009/01/13						DOC TYPE: PSD	
DRAFT WHERE APPLICABLE MUST REMAIN WITHIN DIMENSIONS				THIRD ANGLE PROJECTION		DRAWING: D-SIZE		SERIES: 76500		DOC PART: 001	
								MATERIAL NUMBER: SEE TABLE		REVISION: D4	
								CUSTOMER: GENERAL MARKET		SHEET NUMBER: 1 OF 2	

COPLANAR APPLICATION



COPLANAR MATED SIGNAL PATHS



THIS DRAWING CONTAINS INFORMATION THAT IS PROPRIETARY TO MOLEX ELECTRONIC TECHNOLOGIES, LLC AND SHOULD NOT BE USED WITHOUT WRITTEN PERMISSION											
DIMENSION UNITS	SCALE	CURRENT REV DESC: REMASTERED TO NX									
mm	NTS	<p style="text-align: center;">IMPACT 4 PAIR RAM UNGUIDED SIGNAL MODULE SALES DRAWING</p> <p style="text-align: center;">PRODUCT CUSTOMER DRAWING</p>									
GENERAL TOLERANCES (UNLESS SPECIFIED)											
ANGULAR TOL	± 0.5°										
4 PLACES	±										
3 PLACES	±										
2 PLACES	± 0.13										
1 PLACE	± 0.25	EC NO: 705090	DRWN: DYARAS		2021/12/07		DOC TYPE		DOC PART	REVISION	
0 PLACES	±	CHK'D: YOGEEB	APPR: LZENG		2022/02/09		SD-76500-001		PSD	001	D4
DRAFT WHERE APPLICABLE MUST REMAIN WITHIN DIMENSIONS		THIRD ANGLE PROJECTION		DRAWING	SERIES	MATERIAL NUMBER	CUSTOMER		SHEET NUMBER		
				D-SIZE	76500	SEE TABLE	GENERAL MARKET		2 OF 2		