

注記
NOTES

- △1 CKT.NO.1を基準に偶数番目のソルダーテール。
EVEN NO. SOLDER TAIL.
- △2 CKT.NO.1を基準に奇数番目のソルダーテール。
ODD NO. SOLDER TAIL.

3. 材料

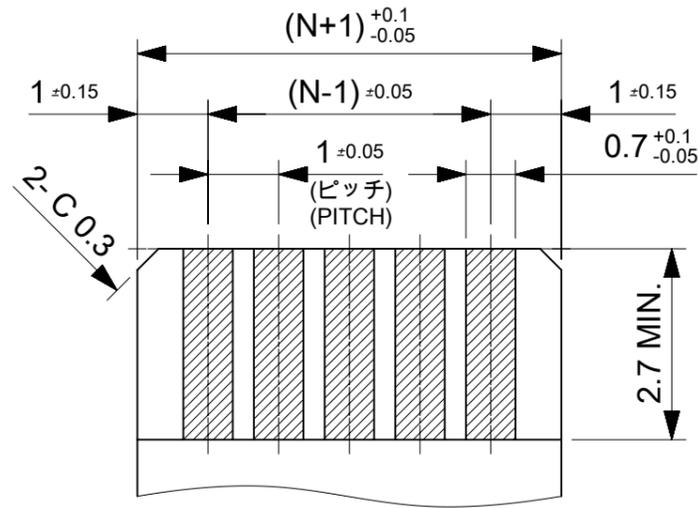
MATERIAL

ターミナル:リン青銅、ニッケル下地、錫ビスマスめっき (t=0.32)
 TERMINAL:PHOSPHOR BRONZE, TIN-BISMUTH OVER NICKEL PLATING.
 ハウジング:66ナイロン、UL94V-0
 HOUSING:66NYLON, UL94V-0
 アクチュエータ:ポリエステル、UL94V-0
 ACTUATOR:POLYESTER, UL94V-0

- 4. 本製品は、52030-**10の鉛フリー品である。
THIS PRODUCT IS LEAD FREE OF 52030-**10.

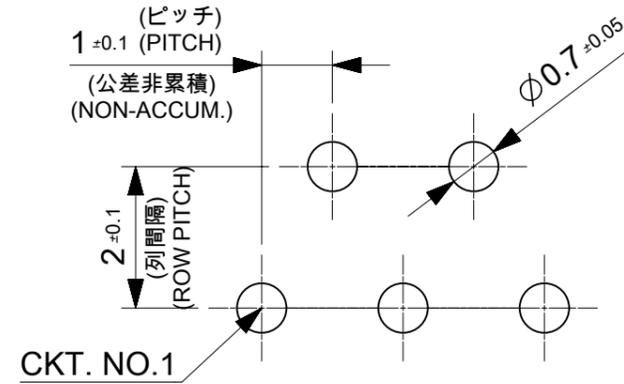
35.3	31.2	52030-3029	30
34.3	30.2	52030-2929	29
33.3	29.2	52030-2829	28
32.3	28.2	52030-2729	27
31.3	27.2	52030-2629	26
30.3	26.2	52030-2529	25
29.3	25.2	52030-2429	24
28.3	24.2	52030-2329	23
27.3	23.2	52030-2229	22
26.3	22.2	52030-2129	21
25.3	21.2	52030-2029	20
24.3	20.2	52030-1929	19
23.3	19.2	52030-1829	18
22.3	18.2	52030-1729	17
21.3	17.2	52030-1629	16
20.3	16.2	52030-1529	15
19.3	15.2	52030-1429	14
18.3	14.2	52030-1329	13
17.3	13.2	52030-1229	12
16.3	12.2	52030-1129	11
15.3	11.2	52030-1029	10
14.3	10.2	52030-0929	9
13.3	9.2	52030-0829	8
12.3	8.2	52030-0729	7
11.3	7.2	52030-0629	6
10.3	6.2	52030-0529	5
9.3	5.2	52030-0429	4
8.3	4.2	52030-0329	3
B	A	オーダー番号 ORDER NO.	極数 CKT.

QUALITY SYMBOLS ▽A = 0 ▽E = 0 ▽F = 0 ▼ = 0 ▽C = 0 ⊠ = 0 ■ = 0 ▽ = 0	THIS DRAWING CONTAINS INFORMATION THAT IS PROPRIETARY TO MOLEX ELECTRONIC TECHNOLOGIES, LLC AND SHOULD NOT BE USED WITHOUT WRITTEN PERMISSION		DIMENSION UNITS: mm SCALE: 10:1			
	GENERAL TOLERANCES (UNLESS SPECIFIED) ANGULAR TOL ± 3.0 °		DRWN BY: JASANUMA DATE: 2015/12/01			1.0 FPC CONN ZIF (ST)
	4 PLACES ± 0.2 3 PLACES ± 0.2 2 PLACES ± 0.2 1 PLACE ± 0.25 0 PLACES ± 0.3		CHK'D BY: KTAKAHASHI DATE:			
	DRAFT WHERE APPLICABLE MUST REMAIN WITHIN DIMENSIONS		APPR BY: YNOGAWA DATE: 2015/12/09			
EC NO: 102046 DRWN: JASANUMA CHK'D: YNOGAWA APPR: YNOGAWA		DRAWING SIZE: A3 THIRD ANGLE PROJECTION		PRODUCT CUSTOMER DRAWING		
RELEASE STATUS: P1 RELEASE DATE: 2015/12/09 09:03:44		SERIES: 52030 MATERIAL NUMBER: SEE CHART CUSTOMER: GENERAL		DOCUMENT NUMBER: 520301000 DOC TYPE: PSD DOC PART: 000 SHEET NUMBER: 1 OF 2		



(仕上がり厚さ:0.3±0.05)
(THICKNESS:0.3±0.05)

適合FPC推奨寸法
APPLICABLE FPC RECOMMENDED DIM.



基板取付穴推奨寸法(t=1.6)
RECOMMENDED P.C.BOARD HOLE DIM.(t=1.6)
(マウント面)
(MOUNT SURFACE)

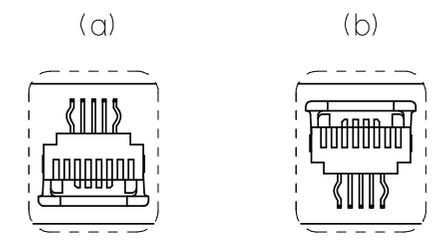
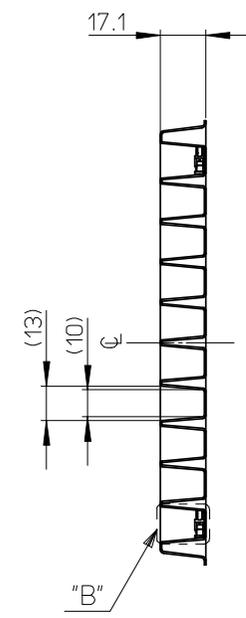
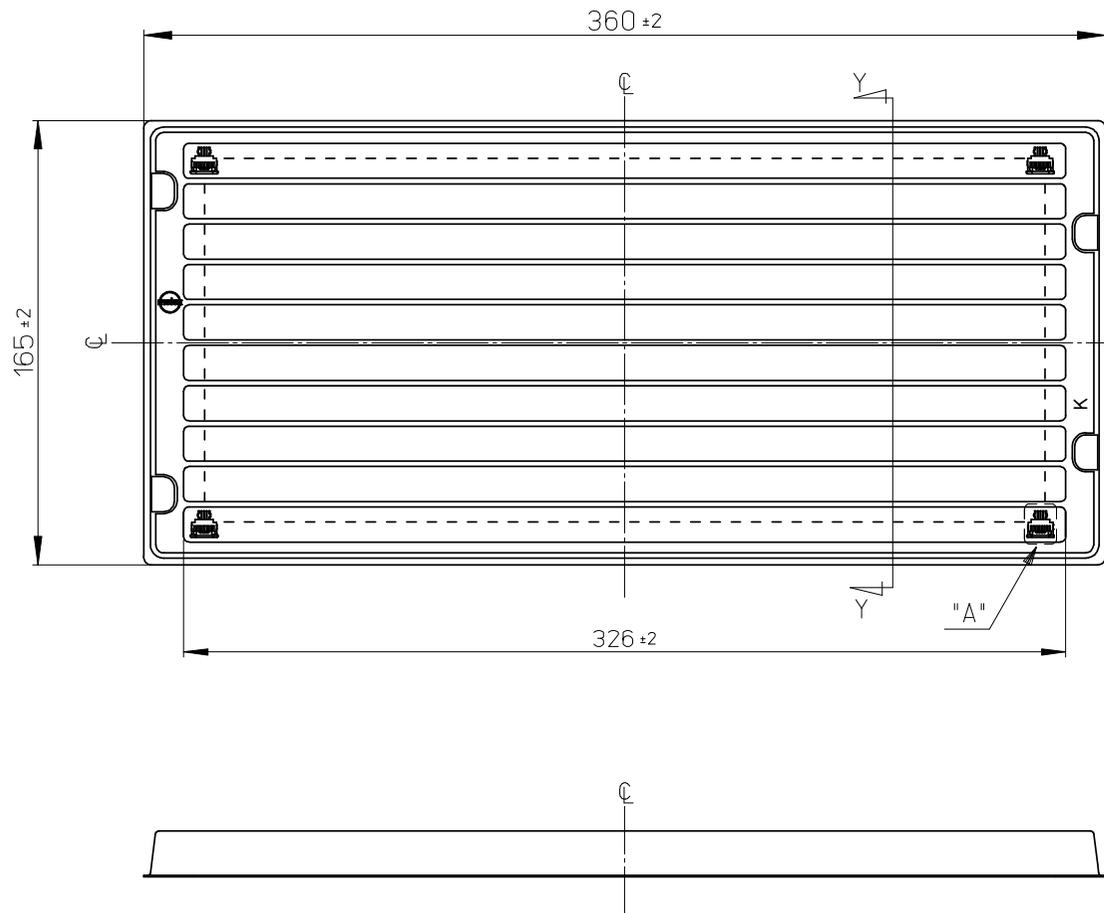
FPCについて:

打ち抜き方向は、導体側から補強板側を推奨致します。
補強フィルム材質は、ポリイミドを推奨致します。
接着剤は、熱硬化接着剤を推奨致します。

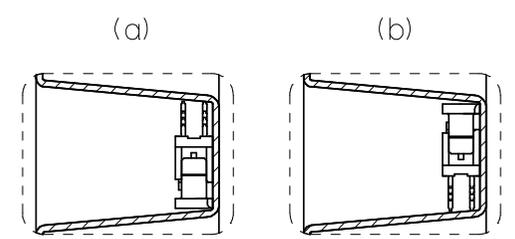
ABOUT FPC:

RECOMMENDED PUNCHER DIRECTION: FROM CONDUCTOR SIDE TO STIFFENER BOARD SIDE.
RECOMMENDED MATERIAL:
STIFFENER FILM: POLYIMIDE
BONDING AGENT: THEROSETTING BONDING AGENT

QUALITY SYMBOLS ▽A = 0 ▽E = 0 ▽F = 0 ▼ = 0 ▽C = 0 ⊠ = 0 ■ = 0 ▽ = 0	THIS DRAWING CONTAINS INFORMATION THAT IS PROPRIETARY TO MOLEX ELECTRONIC TECHNOLOGIES, LLC AND SHOULD NOT BE USED WITHOUT WRITTEN PERMISSION										
	EC NO: 102046 DRWN: JASANUMA CHK'D: YNOGAWA APPR: YNOGAWA	2015/12/01 2015/12/09 2015/12/09	GENERAL TOLERANCES (UNLESS SPECIFIED)		DIMENSION UNITS	SCALE					
			ANGULAR TOL ± 3.0 °		mm	1:1					
			4 PLACES ± 0.2	DRWN BY	DATE	JASANUMA					
			3 PLACES ± 0.2	CHK'D BY	DATE	KTAKAHASHI					
			2 PLACES ± 0.2	APPR BY	DATE	YNOGAWA	2015/12/09				
	1 PLACE ± 0.25	DRAFT WHERE APPLICABLE MUST REMAIN WITHIN DIMENSIONS		DRAWING SIZE	THIRD ANGLE PROJECTION	PRODUCT CUSTOMER DRAWING SERIES: 52030 MATERIAL NUMBER: SEE CHART CUSTOMER: GENERAL					
	0 PLACES ± 0.3	A	REV	A3			DOCUMENT NUMBER: 520301000		DOC TYPE: PSD	DOC PART: 000	SHEET NUMBER: 2 OF 2



△ 4 DETAIL A
(SCALE 2:1)



△ 4 DETAIL B
(SCALE 2:1)

注記

1. 一般公差: ±0.5
GENERAL TOLERANCES: ±0.5
2. 各部の反りは2.0MAX.
WARP 2.0MAX.
3. 梱包数: 梱包仕様書「SPK-52030-001」参照
PACKAGING QUANTITY: PACKAGING SPEC. 「SPK-52030-001」
△ トレイの中の製品の向きは(a)又は(b)とし、かつ同一トレイ中の製品の向きはどちらか一方で統一
PRODUCT DIRECTION SHOULD BE (a) OR (b).
ALL PRODUCTS MUST FACED THE SAME DIRECTION IN THE TRAY.

52030-**29
適用製品番号
APPLICABLE PART No.

RELEASED EC NO: J2008-4/59 DRWN: YOKUZONO 2008/06/17 CHKD: HARUYAMA 2008/06/17 APPR: NUKITA 2008/06/17	GENERAL TOLERANCES (UNLESS SPECIFIED)		DIMENSION STYLE MM ONLY	SCALE 1:2	DESIGN UNITS METRIC	THIRD ANGLE PROJECTION
	10 UNDER	±---	DRAWN BY Y. TOKUZONO	DATE 2008/6/5	TITLE TRAY FOR 52030 (1.0 FPC CONN. ZIF. ST.)	
10 OVER 30 UNDER	±---	CHECKED BY T. HARUYAMA	DATE 2008/6/5			
30 OVER	±---	APPROVED BY N. UKITA	DATE 2008/6/5	MOLEX INCORPORATED		
ANGULAR	±---°	MATERIAL NO. 098910031	DOCUMENT NO. SD-52030-020	SHEET NO. 1 OF 1		
DRAFT WHERE APPLICABLE MUST REMAIN WITHIN DIMENSIONS		SIZE A3	THIS DRAWING CONTAINS INFORMATION THAT IS PROPRIETARY TO MOLEX INCORPORATED AND SHOULD NOT BE USED WITHOUT WRITTEN PERMISSION			