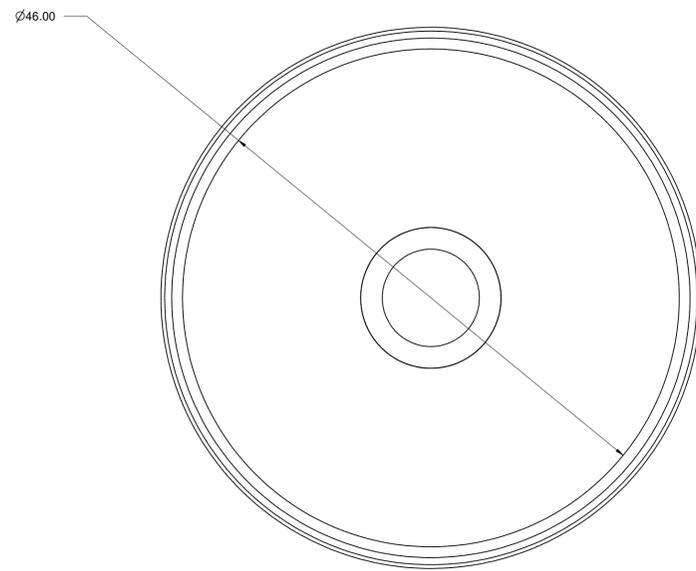
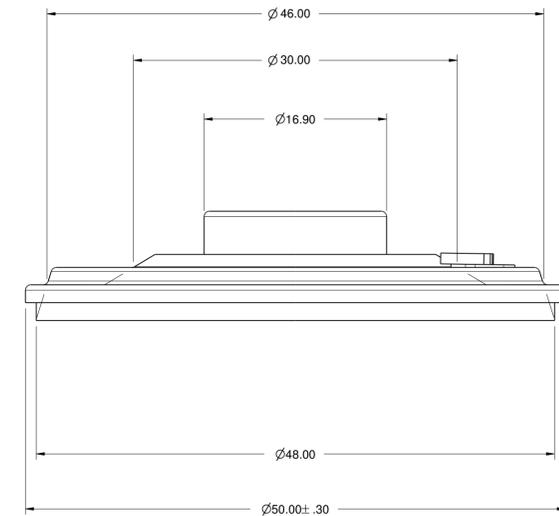
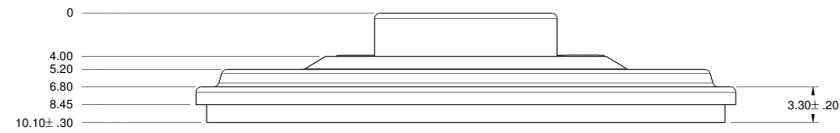
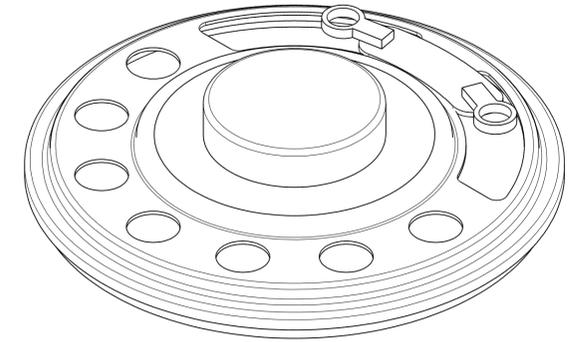
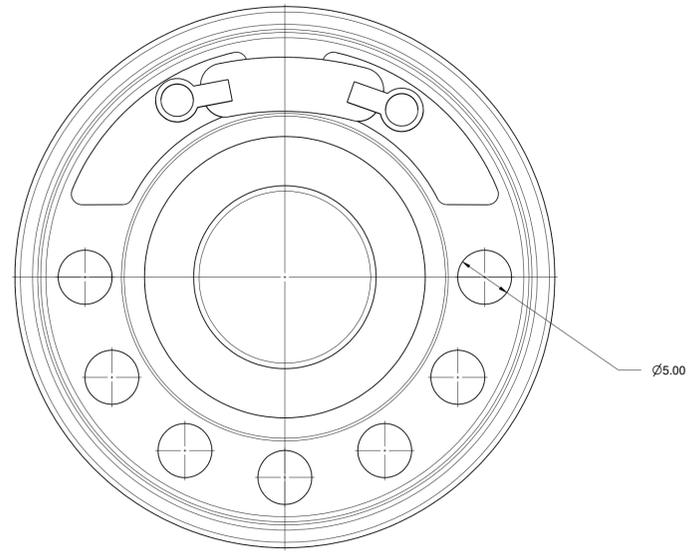


REVISIONS				
ZONE	REV	DESCRIPTION	DATE	APPROVED



ALL TOLERANCES +/- .5 UNLESS NOTED

SIZE D	FSCM NO.	DWG NO. WSP-5008-57	REV
SCALE 1:1	SHEET 1 OF 1		