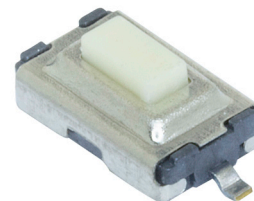


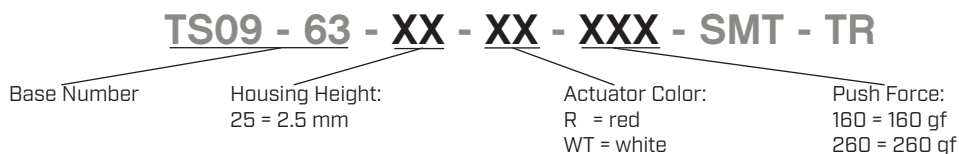
SERIES: TS09 | **DESCRIPTION:** TACTILE SWITCH

FEATURES

- red or white actuator versions
- surface mount


SPECIFICATIONS

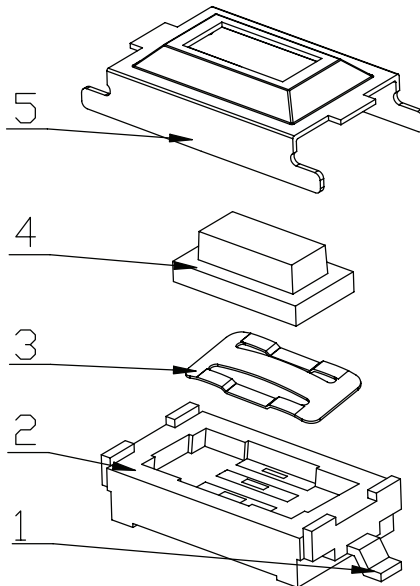
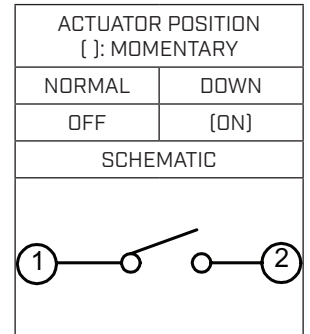
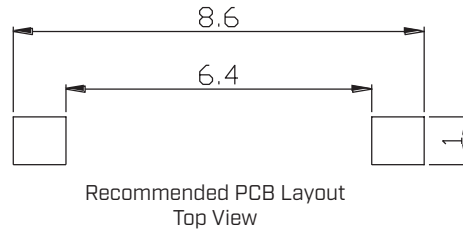
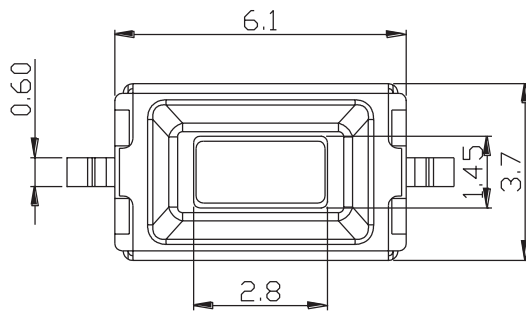
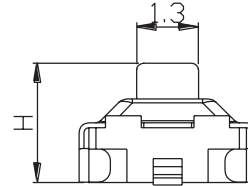
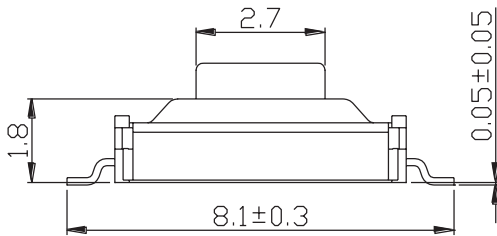
| parameter | conditions/description | min | typ | max | units |
|-----------------------|---|------|------------------|------|------------------|
| rated voltage | | 1 | | 12 | Vdc |
| rated current | | 0.01 | | 50 | mA |
| withstanding voltage | for 1 minute | | 250 | | Vac |
| contact resistance | applying load of 2 times operating force at 5 Vdc, 10 mA | | | 100 | mΩ |
| insulation resistance | at 500 Vdc for 1 minute | 100 | | | MΩ |
| operating force | see force table | | | | |
| actuator travel | | 0.15 | 0.25 | 0.35 | mm |
| operating temperature | | -30 | | 80 | °C |
| storage temperature | | -40 | | 90 | °C |
| life | rated load, 1 cycle/second, 1.5 times operating force 160 gf models 260 gf models | | 40,000 40,000 | | cycles cycles |
| vibration | 10-55-10 Hz, 1.5 mm amplitude, 2 hours on each XYZ | | | | |
| flammability rating | see material table | | | | |
| RoHS | yes | | | | |

PART NUMBER KEY


MECHANICAL DRAWING

units: mm
 tolerance: ± 0.2 mm
 unless otherwise noted

| ITEM | DESCRIPTION | MATERIAL | PLATING/COLOR |
|------|-------------|---------------|---------------|
| 1 | terminals | brass | silver |
| 2 | housing | LCP (UL94V-0) | black |
| 3 | contacts | SUS | silver |
| 4 | stem | PPA (UL94V-0) | |
| 5 | cover | SUS | |

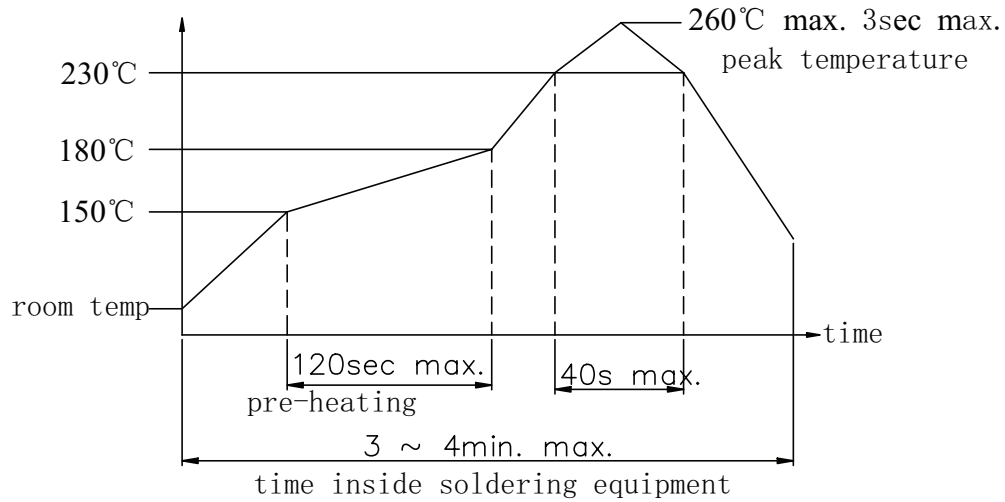


| Model | Press Force [N] | Return Force [N] |
|-------|-----------------|------------------|
| 160 | 1.6 \pm 0.5 | >0.2 |
| 260 | 2.6 \pm 0.7 | >0.2 |

SOLDERABILITY

| parameter | conditions/description | min | typ | max | units |
|-------------------------------|------------------------|-----|-----|-----|-------|
| hand soldering | for maximum 3 seconds | | | 350 | °C |
| reflow soldering ¹ | see reflow profile | | | 260 | °C |

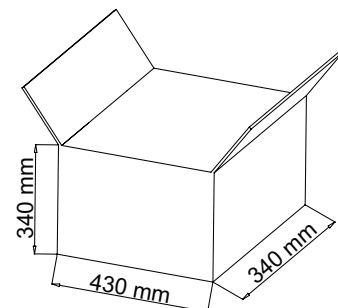
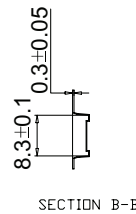
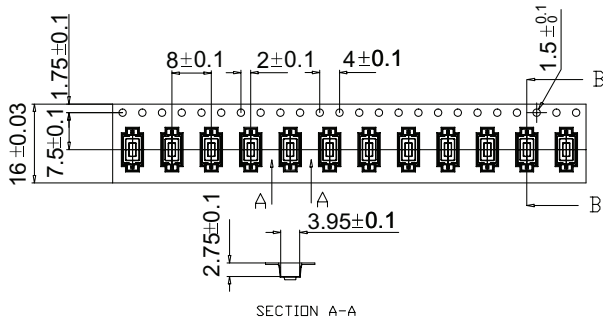
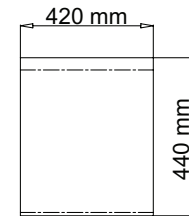
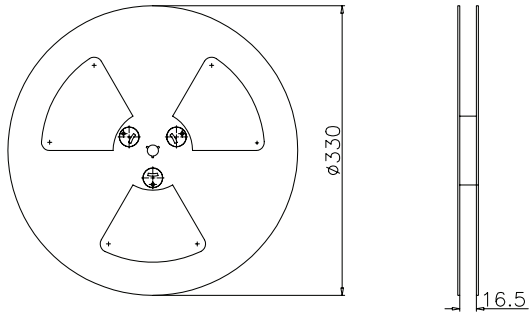
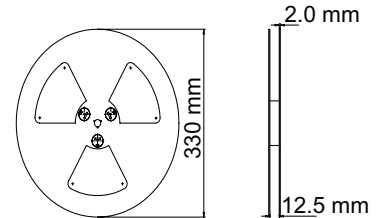
Notes: 1. Do not exceed 2 reflow cycles.



PACKAGING

units: mm

Reel Size: $\varnothing 330$ mm
 Reel QTY: 3,000 pcs per reel
 Carton Size: 430 x 340 x 340 mm
 Carton QTY: 60,000 pcs per carton



REVISION HISTORY

| rev. | description | date |
|------|------------------------------|------------|
| 1.0 | initial release | 11/23/2021 |
| 1.01 | logo, datasheet style update | 08/05/2022 |

The revision history provided is for informational purposes only and is believed to be accurate.



CUI Devices offers a one (1) year limited warranty. Complete warranty information is listed on our website.

CUI Devices reserves the right to make changes to the product at any time without notice. Information provided by CUI Devices is believed to be accurate and reliable. However, no responsibility is assumed by CUI Devices for its use, nor for any infringements of patents or other rights of third parties which may result from its use.

CUI Devices products are not authorized or warranted for use as critical components in equipment that requires an extremely high level of reliability. A critical component is any component of a life support device or system whose failure to perform can be reasonably expected to cause the failure of the life support device or system, or to affect its safety or effectiveness.

cuidevices.com