



TE0820 TRM

Revision v.100

Exported on 2022-11-02

Online version of this document:

<https://wiki.trenz-electronic.de/display/PD/TE0820+TRM>

1 Table of Contents

1	Table of Contents	2
2	Table of Figures	4
3	Table of Tables	5
4	Overview	7
4.1	Key Features	7
4.2	Block Diagram	8
4.3	Main Components	10
4.4	Initial Delivery State	10
4.5	Configuration Signals	11
5	Signals, Interfaces and Pins	12
5.1	Board to Board (B2B) I/Os	12
5.2	MGT Lanes	12
5.3	JTAG Interface	14
5.4	I2C Addresses	14
5.5	MIOs	15
5.6	Test Points	15
6	On-board Peripherals	17
6.1	System Controller CPLD	17
6.2	eMMC Memory	18
6.3	DDR4 Memory	18
6.4	Quad SPI Flash Memory	18
6.5	Gigabit Ethernet	18
6.6	USB2.0 Transceiver	19
6.7	EEPROM	20
6.8	Programmable Clock Generator	21
6.9	Clock Sources	21
6.10	LEDs	22
7	Power and Power-on Sequence	23
7.1	Power Supply	23
7.2	Power Consumption	23
7.3	Power Distribution Dependencies	24
7.4	Power-On Sequence	26
7.5	Power Rails	26
7.6	Bank Voltages	27
8	Board to Board Connectors	29
8.1	Connector Mating height	29
8.2	Connector Speed Ratings	30
8.3	Current Rating	30
8.4	Connector Mechanical Ratings	30
9	Technical Specifications	31

9.1	Absolute Maximum Ratings	31
9.2	Recommended Operating Conditions	31
9.3	Physical Dimensions	32
10	Currently Offered Variants	34
11	Revision History	35
11.1	Hardware Revision History	35
11.2	Document Change History.....	36
12	Disclaimer	40
12.1	Data Privacy.....	40
12.2	Document Warranty.....	40
12.3	Limitation of Liability.....	40
12.4	Copyright Notice	40
12.5	Technology Licenses.....	40
12.6	Environmental Protection	40
12.7	REACH, RoHS and WEEE	41

2 Table of Figures

Figure 1: TE0820-03 block diagram	9
Figure 2: TE0820-03 main components.....	10
Figure 3: Figure 3: TE0820-03 Power Distribution Diagram	25
Figure 4: Figure 4: TE0820-03 Power-on Sequence Diagram	26
Figure 5: Physical Dimension.....	33
Figure 6: Figure 6: Module hardware revision number.....	36

3 Table of Tables

Table 1: Initial delivery state of programmable devices on the module.....	10
Table 2: Boot process.....	11
Table 3: Reset process.	11
Table 4: General PL I/O to B2B connectors information	12
Table 5: MGT Lanes connection.....	13
Table 6: MGT Clock Sources Information.....	13
Table 7: JTAG pins connection	14
Table 8: Address table of the I2C bus slave devices	14
Table 9: MIOs pins	15
Table 10: Test Points Information	15
Table 11: On board peripherals.....	17
Table 12: System Controller CPLD special purpose pins	17
Table 13: GigaBit Ethernet connection	19
Table 14: General overview of the USB PHY signals.....	19
Table 15: I2C EEPROM interface MIOs and pins.....	20
Table 16: Programmable Clock Generator Inputs and Outputs	21
Table 17: Osillators	21
Table 18: On-board LEDs	22
Table 19: Power Consumption	23
Table 20: Module power rails.....	27
Table 21: Zynq SoC bank voltages.	27
Table 22: Connectors.	29
Table 23: Speed rating.	30
Table 24: PS absolute maximum ratings	31
Table 25: Recommended operating conditions.	32
Table 26: Trenz Electronic Shop Overview	34
Table 27: Hardware Revision History	35
Table 28: Document change history.	36

4 Overview

The Trenz Electronic TE0820 is a powerful 4 x 5 cm industrial/extended module integrated with a Xilinx Zynq UltraScale+ MPSoC. In addition, the module is equipped with 2x 8 Gb DDR4 SDRAM chip, up to 64 Gb eMMC chip, 2x 512 Mb flash memory for configuration and data storage, as well as powerful switching power supplies for all required voltages. The module is equipped with a Lattice Mach XO2 CPLD for system controlling. 3x Robust high-speed connectors provide a large number of inputs and outputs. Additionally the module provides Gigabit Ethernet and USB2.0 Transceivers.

The highly integrated modules are smaller than a credit card and are offered in several variants at an affordable price-performance ratio. Modules with a 4 x 5 cm form factor are completely mechanically and largely electrically compatible with each other.

All components cover at least the industrial temperature range. The temperature range in which the module can be used depends on the customer design and the selected cooling. Please contact us for special solutions.

Refer to <http://trenz.org/te0820-info> for the current online version of this manual and other available documentation.

4.1 Key Features

- **SoC/FPGA**
 - Package: SFVC784
 - Device: ZU2 ...ZU5, *
 - Engine: EG, CG, EV, *
 - Speed: -1, -1L, -2, -2L, 3, *, **
 - Temperature: I, E, *, **
- **RAM/Storage**
 - 2x DDR4 SDRAM,
 - Data Width: 16 Bit
 - Size: 8 Gb, *
 - Speed: 2400 Mbps, ***
 - 2x QSPI boot Flash in dual parallel mode
 - Data Width: 8 Bit
 - Size: 512 Mb Gb, *
 - 1x e.MMC Memory
 - Data Width: 16 Bit
 - Size: 8 Gb, *
 - MAC address serial EEPROM
- **On Board**
 - Lattice MachXO2 CPLD
 - Programmable Clock Generator
 - Hi-speed USB2 ULPI Transceiver
 - 4x LEDs
- **Interface**
 - 1 Gbps RGMII Ethernet interface
 - Hi-speed USB2 ULPI transceiver with full OTG support
 - Graphic Processor Mali-400 MP2, *
 - 132x High Performance (HP)
 - 4 x serial PS GTR transceivers
 - PCI Express interface
 - SATA 3.1 interface
 - DisplayPort interface with video resolution up to 4k x 2k
 - 2x USB 3.0 specification compliant interface implementing a 5 Gbit/s line rate

- **Power**
 - All power regulators on board
- **Dimension**
 - 40 x 50 mm
- **Note**
 - * depends on assembly version
 - ** also non low power assembly options possible
 - *** depends on used U+ Zynq and DDR4 combination
 - Rugged for shock and high vibration

Additional assembly options are available for cost or performance optimization upon request.

4.2 Block Diagram

TE0820-03

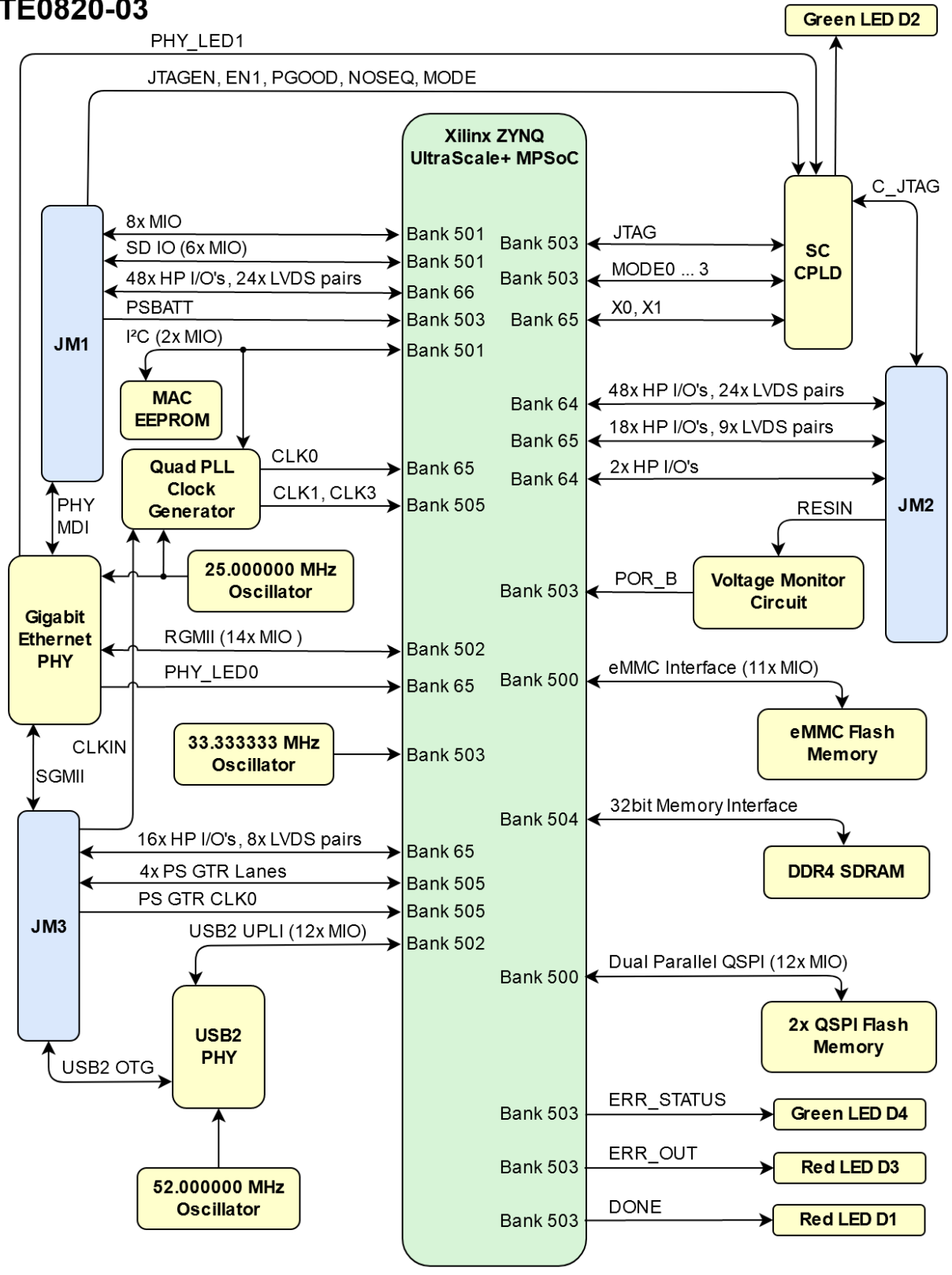


Figure 1: TE0820-03 block diagram

4.3 Main Components

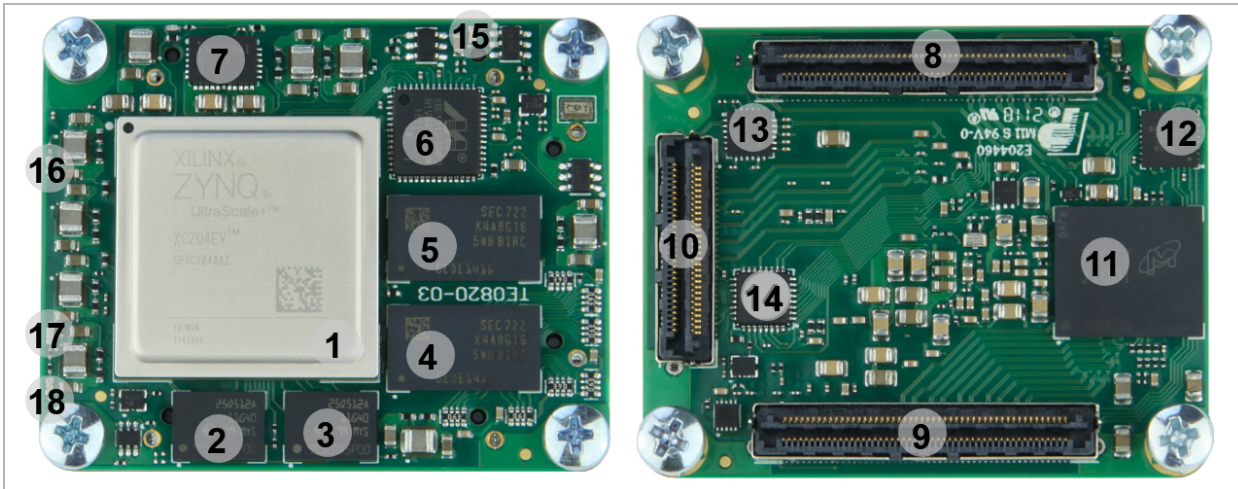


Figure 2: TE0820-03 main components

1. Xilinx Zynq UltraScale+ MPSoC, U1
2. 1.8V, 512 Mbit QSPI flash memory, U7
3. 1.8V, 512 Mbit QSPI flash memory, U17
4. 8 Gbit (512 x 16) DDR4 SDRAM, U2
5. 8 Gbit (512 x 16) DDR4 SDRAM, U3
6. Marvell Alaska 88E1512 integrated 10/100/1000 Mbps energy efficient ethernet transceiver, U8
7. 6A PowerSoC DC-DC converter (PL_VCCINT, 0.85V), U5
8. B2B connector Samtec Razor Beam™ LSHM-150, JM1
9. B2B connector Samtec Razor Beam™ LSHM-150, JM2
10. B2B connector Samtec Razor Beam™ LSHM-130, JM3
11. 8 GByte eMMC memory, U6
12. Lattice Semiconductor MachXO2 System Controller CPLD, U21
13. I2C programmable, any frequency, any output quad clock generator, U10
14. Highly integrated full featured hi-speed USB 2.0 ULPI transceiver, U18
15. LED D1(Red) Done Pin
16. LED D2 (Green) CPLD Status, User LED
17. LED D3 (Red) PS Error
18. LED D4 (Green) PS Error Status

4.4 Initial Delivery State

Storage device name	Content	Notes
Dual QSPI Flash Memory	Not programmed	
eMMC Memory	Not programmed	
DDR4 SDRAM	Not programmed	

Storage device name	Content	Notes
Programmable Clock Generator	Not programmed	
CPLD (LCMX02-256HC)	Programmed	TE0820 CPLD¹

Table 1: Initial delivery state of programmable devices on the module

4.5 Configuration Signals

Two different firmware versions are available, one with the QSPI boot option and other with the SD Card boot option.

MODE Pin	Boot Mode
High	QSPI*
Low	SD Card*

Table 2: Boot process.

*changable also with other CPLD Firmware: [TE0820 CPLD²](#)

Signal	B2B	I/O	Note
EN1	JM1-28	Input	CPLD Enable Pin
RESIN	JM2-18	Input	General Reset

Table 3: Reset process.

¹ <https://wiki.trenz-electronic.de/display/PD/TE0820+CPLD+Firmware>

² <https://wiki.trenz-electronic.de/display/PD/TE0820+CPLD>

5 Signals, Interfaces and Pins

5.1 Board to Board (B2B) I/Os

Zynq MPSoC's I/O banks signals connected to the B2B connectors:

Bank	Type	B2B Connector	I/O Signal Count	Voltage	Notes
64	HP	JM2	48x Single Ended, 24x LVDS Pairs	Variable	Max voltage 1.8V
64	HP	JM2	2x Single Ended	Variable	Max voltage 1.8V
65	HP	JM2	18x Single Ended, 9x LVDS Pairs	Variable	Max voltage 1.8V
65	HP	JM3	16x Single Ended, 8x LVDS Pairs	Variable	Max voltage 1.8V
66	HP	JM1	48x Single Ended, 24x LVDS Pairs	Variable	Max voltage 1.8V
500	MIO	JM1	8x Single Ended	1.8V	
501	MIO	JM1	6x Single Ended	3.3V	
505	GTR	JM3	16x Single Ended, 8x LVDS Pairs	-	4x Lanes
505	GTR CLK	JM3	1x differential Clock	-	

Table 4: General PL I/O to B2B connectors information

For detailed information about the pin-out, please refer to the [Pin-out table](#)³.

5.2 MGT Lanes

The Xilinx Zynq UltraScale+ device used on the TE0820 module has 4 GTR transceivers. All 4 are wired directly to B2B connector JM3. MGT (Multi Gigabit Transceiver) lane consists of one transmit and one receive (TX/RX)

³ https://shop.trenz-electronic.de/Download/?path=Trenz_Electronic/Pinout

differential pairs, four signals total per one MGT lane. Following table lists lane number, FPGA bank number, transceiver type, signal schematic name, board-to-board pin connection and FPGA pins connection:

Lane	Bank	Signal Name	B2B Pin	Note
0	505	<ul style="list-style-type: none"> • B505_RX0_P • B505_RX0_N • B505_TX0_P • B505_TX0_N 	<ul style="list-style-type: none"> • JM3-26 • JM3-28 • JM3-25 • JM3-27 	
1	505	<ul style="list-style-type: none"> • B505_RX1_P • B505_RX1_N • B505_TX1_P • B505_TX1_N 	<ul style="list-style-type: none"> • JM3-20 • JM3-22 • JM3-19 • JM3-21 	
2	505	<ul style="list-style-type: none"> • B505_RX2_P • B505_RX2_N • B505_TX2_P • B505_TX2_N 	<ul style="list-style-type: none"> • JM3-14 • JM3-16 • JM3-13 • JM3-15 	
3	505	<ul style="list-style-type: none"> • B505_RX3_P • B505_RX3_N • B505_TX3_P • B505_TX3_N 	<ul style="list-style-type: none"> • JM3-8 • JM3-10 • JM3-7 • JM3-9 	

Table 5: MGT Lanes connection

There are 3 clock sources for the GTR transceivers. B505_CLK0 is connected directly to B2B connector JM3, so the clock can be provided by the carrier board. Clocks B505_CLK1 and B505_CLK3 are provided by the on-board clock generator (U10). As there are no capacitive coupling of the data and clock lines that are connected to the connectors, these may be required on the user's PCB depending on the application.

Clock signal	Bank	Connected to	Notes
B505_CLK0_P	505	B2B, JM3-31	Supplied by the carrier board
B505_CLK0_N	505	B2B, JM3-33	Supplied by the carrier board
B505_CLK1_P	505	U10, CLK2A	On-board Si5338A
B505_CLK1_N	505	U10, CLK2B	On-board Si5338A
B505_CLK2_P	505	N/A	Not connected
B505_CLK2_N	505	N/A	Not connected

Clock signal	Bank	Connected to	Notes
B505_CLK3_P	505	U10, CLK1A	On-board Si5338A
B505_CLK3_N	505	U10, CLK1B	On-board Si5338A

Table 6: MGT Clock Sources Information

5.3 JTAG Interface

JTAG access to the Xilinx Zynq-7000 is provided through B2B connector JM2.

JTAG Signal	B2B Connector Pin	Notes
TMS	JM2-93	
TDI	JM2-95	
TDO	JM2-97	
TCK	JM2-99	
JTAGEN	JM1-89	Pulled Low: Xilinx Zynq UltraScale+ MPSoC Pulled High: Lattice MachXO CPLD

Table 7: JTAG pins connection

Pin 89 JTAGEN of B2B connector JM1 is used to control which device is accessible via JTAG. If set to low or grounded, JTAG interface will be routed to the Xilinx Zynq MPSoC. If pulled high, JTAG interface will be routed to the System Controller CPLD.

5.4 I2C Addresses

On-board I²C devices are connected to MIO38 (SCL) and MIO39 (SDA) which are configured as I²C0 by default. Addresses for on-board I²C slave devices are listed in the table below:

I2C Device	I2C Address	Notes
PLL Clock Generator, U10	0x70/ 0x71	
EEPROM, U25	0x50	

Table 8: Address table of the I2C bus slave devices

5.5 MIOs

MIO Pin	Connected to	B2B	Notes
0...5	QSPI Flash, U7	-	SPI Flash
7...12	QSPI Flash, U17	-	SPI Flash
13...23	eMMC, U6		eMMC
24	ETH Transceiver, U8	-	ETH_RST
25	USB2.0 Transceiver, U18	-	OTG_RST
26...33	User MIO	JM1	
34...37	N.C	-	N.C
38...39	EEPROM, U25	-	I2C_SDA/SCL
40...45	N.C		N.C
46...51	SD Card	JM1	
52...63	USB2.0 Transceiver, U18	-	
63...77	Ethernet Transceiver, U8	-	

Table 9: MIOs pins

5.6 Test Points

Test Point	Signal	Connected to	Notes
1	PS_LP0V85	Voltage Regulator, U12	
2	DDR_2V5	Voltage Regulator, U4	

Test Point	Signal	Connected to	Notes
3	PS_AVCC	Voltage Regulator, U9	
4	DDR_1V2	Voltage Regulator, U15	
5	PS_AVTT	Voltage Regulator, U3	
6	VTT	Regulator, U16	
7	PS_FP0V85	Voltage Regulator, U26	
8	VREFA	Regulator, U16	
10	PS_PLL	Voltage Regulator, U23	
11	PL_VCCINT	Voltage Regulator, U5	
15	PL_VCCINT_IO	Voltage Regulator, U27	
16	PL_VCU	Voltage Regulator, U24	

Table 10: Test Points Information

6 On-board Peripherals

Chip/Interface	Designator	Notes
QSPI Flash(see page 18)	U7, U17	
EEPROM(see page 20)	U25	
DDR4 SDRAM(see page 0)	U2,U3	
GigaBit Ethernet(see page 18)	U8	
USB2.0 Transceiver(see page 19)	U18	
eMMC Memory(see page 18)	U6	
Oscillators(see page 21)	U32, U14, U11	
Programmable Clock Generator(see page 21)	U10	
CPLD(see page 17)	U21	
LEDs(see page 22)	D1...3	

Table 11: On board peripherals

6.1 System Controller CPLD

The System Controller CPLD (U21) is provided by Lattice Semiconductor LCMXO2-256HC (MachXO2 product family). It is the central system management unit with module specific firmware installed to monitor and control various signals of the FPGA, on-board peripherals, I/O interfaces and module.

Special purpose pins are connected to System Controller CPLD and have following default configuration:

Pin Name	Mode	Function	Default Configuration
EN1	Input	Power Enable	No hard wired function on PCB. When forced low, PGOOD goes low without effect on power management
PGOOD	Output	Power Good	Only indirect used for power status, see CPLD description

Pin Name	Mode	Function	Default Configuration
NOSEQ	-	-	No used for Power sequencing, see CPLD description
RESIN	Input	Reset	Active low reset, gated to POR_B
JTAGEN	Input	JTAG Select	Low for normal operation, high for CPLD JTAG access

Table 12: System Controller CPLD special purpose pins

Please check the entire information at [TE0820 CPLD⁴](#).

See also TE0820 System Controller [CPLD page⁵](#).

6.2 eMMC Memory

eMMC Flash memory device(U6) is connected to the ZynqMP PS MIO bank 500 pins MIO13..MIO23. eMMC chips IS21ES08G-JCLI (FLASH - NAND Speicher-IC (64 Gb x 1) MMC) is used.

6.3 DDR4 Memory

The TE0820 SoM has dual 8 Gb volatile DDR4 SDRAM IC for storing user application code and data.

- Part number: K4A8G165WB-BIRC
- Supply voltage: 1.2V
- Speed: 2400 Mbps
- Temperature: -40 ~ 95 °C

6.4 Quad SPI Flash Memory

Two quad SPI compatible serial bus flash MT25QU512ABB8E12-0SIT memory chips are provided for FPGA configuration file storage. After configuration completes the remaining free memory can be used for application data storage. All four SPI data lines are connected to the FPGA allowing x1, x2 or x4 data bus widths to be used. The maximum data transfer rate depends on the bus width and clock frequency.

6.5 Gigabit Ethernet

On-board Gigabit Ethernet PHY (U8) is provided with Marvell Alaska 88E1512 IC (U8). The Ethernet PHY RGMII interface is connected to the ZynqMP Ethernet3 PS GEM3. I/O voltage is fixed at 1.8V for HSTL signaling. The reference clock input of the PHY is supplied from an on-board 25.000000 MHz oscillator (U11).

High-speed USB ULPI PHY

⁴ <https://wiki.trenz-electronic.de/display/PD/TE0820+CPLD+Firmware>

⁵ <https://wiki.trenz-electronic.de/display/PD/TE0820+CPLD+Firmware>

Pin	Schematic	Connected to	Note
MDIP0...3	PHY_MDIO...3	B2B, JM1	
MDC	ETH_MDC	MIO76	
MDIO	ETH_MDIO	MIO77	
S_IN	S_IN	B2B, JM3	
S_OUT	S_OUT	B2B, JM3	
TXD0..3	ETH_TXD0...3	MIO65...68	
TX_CTRL	ETH_TXCTL	MIO69	
TX_CLK	ETH_TXCK	MIO64	
RXD0...3	ETH_RXD0...3	MIO71...74	
RX_CTRL	ETH_RXCTL	MIO75	
RX_CLK	ETH_RXCK	MIO70	
LED1	PHY_LED1	CPLD, U21	
RESETn	ETH_RST	MIO24	

Table 13: GigaBit Ethernet connection

6.6 USB2.0 Transceiver

Hi-speed USB ULPI PHY (U18) is provided with USB3320 from Microchip. The ULPI interface is connected to the Zynq PS USB0 via MIO52..63, bank 502. The I/O voltage is fixed at 1.8V and PHY reference clock input is supplied from the on-board 52.00 MHz oscillator (U14).

PHY Pin	ZYNQ Pin	B2B Name	Notes
ULPI	MIO52..63	-	Zynq USB0 MIO pins are connected to the USB PHY.

PHY Pin	ZYNQ Pin	B2B Name	Notes
REFCLK	-	-	52.000000 MHz from on-board oscillator (U14).
REFSEL[0..2]	-	-	Reference clock frequency select, all set to GND selects 52.000000 MHz.
RESETB	MIO25	-	Active low reset.
CLKOUT	MIO52	-	Connected to 1.8V, selects reference clock operation mode.
DP, DM	-	OTG_D_P, OTG_D_N	USB data lines routed to B2B connector JM3 pins 47 and 49.
CPEN	-	VBUS_V_EN	External USB power switch active high enable signal, routed to JM3 pin 17.
VBUS	-	USB_VBUS	Connect to USB VBUS via a series of resistors, see reference schematics, routed to JM3 pin 55.
ID	-	OTG_ID	For an A-device connect to ground, for a B-device left floating. routed from JM3 pin 23.

Table 14: General overview of the USB PHY signals

6.7 EEPROM

There is a 2Kb EEPROM (U25) provided on the module TE0820.

MIO Pin	Schematic	U25 Pin	Notes
MIO39	I2C_SDA	SDA	
MIO38	I2C_SCL	SCL	

Table 15: I2C EEPROM interface MIOs and pins

6.8 Programmable Clock Generator

There is a Silicon Labs I²C programmable clock generator Si5338A (U10) chip on the module. Its output frequencies can be programmed using the I²C bus address 0x70 or 0x71. Default address is 0x70, IN4/I2C_LSB pin must be set to high for address 0x71.

A 25.000000 MHz oscillator is connected to the pin IN3 and is used to generate the output clocks. The oscillator has its output enable pin permanently connected to 1.8V power rail, thus making output frequency available as soon as 1.8V is present. Three of the Si5338 clock outputs are connected to the FPGA. One is connected to a logic bank and the other two are connected to the GTR banks.

Once running, the frequency and other parameters can be changed by programming the device using the I²C bus connected between the FPGA (master) and clock generator (slave). For this, proper I²C bus logic has to be implemented in FPGA.

U25 Pin	Signal	Connected to	Direction	Note
IN0..1	CLK_IN	JM3	IN	
IN2	CLK_25M	Oscillator, U11	IN	
SCL	I2C_SCL	EEPROM,U25	INOUT	
SDA	I2C_SDA	EEPROM,U25	INOUT	
CLK0	CLK0	JM3	OUT	
CLK1	B505_CLK3	FPGA Bank 505	IN	
CLK2	B505_CLK1	FPGA Bank 505	IN	
CLK3	CLK3_N		IN	

Table 16: Programmable Clock Generator Inputs and Outputs

6.9 Clock Sources

Designator	Description	Frequency	Clock Destination
U32	MEMS Oscillator	33.33 MHz	
U11	MEMS Oscillator	25 MHz	

Designator	Description	Frequency	Clock Destination
U14	MEMS Oscillator	52 MHz	

Table 17: Osillators

6.10 LEDs

Designator	Color	Connected to	Active Level	Note
D1	Red	DONE	Low	
D2	Green	USR_LED	High	
D3	Red	ERR_OUT	High	
D4	Green	ERR_STATUS	High	

Table 18: On-board LEDs

7 Power and Power-on Sequence

7.1 Power Supply

Power supply with minimum current capability of 3A for system startup is recommended.


7.2 Power Consumption

Power Input Pin	Typical Current
VIN	TBD*
3.3VIN	TBD*

Table 19: Power Consumption

* TBD - To Be Determined soon with reference design setup.

For the lowest power consumption and highest efficiency of the on-board DC-DC regulators it is recommended to power the module from one single 3.3V supply. All input power supplies should have a nominal value of 3.3V. Although the input power supplies can be powered up in any order, it is recommended to power them up simultaneously.

 To avoid any damage to the module, check for stabilized on-board voltages should be carried out (i.e. power good and enable signals) before powering up any Zynq's I/O bank voltages VCCO_x. All I/Os should be tri-stated during power-on sequence.

7.3 Power Distribution Dependencies

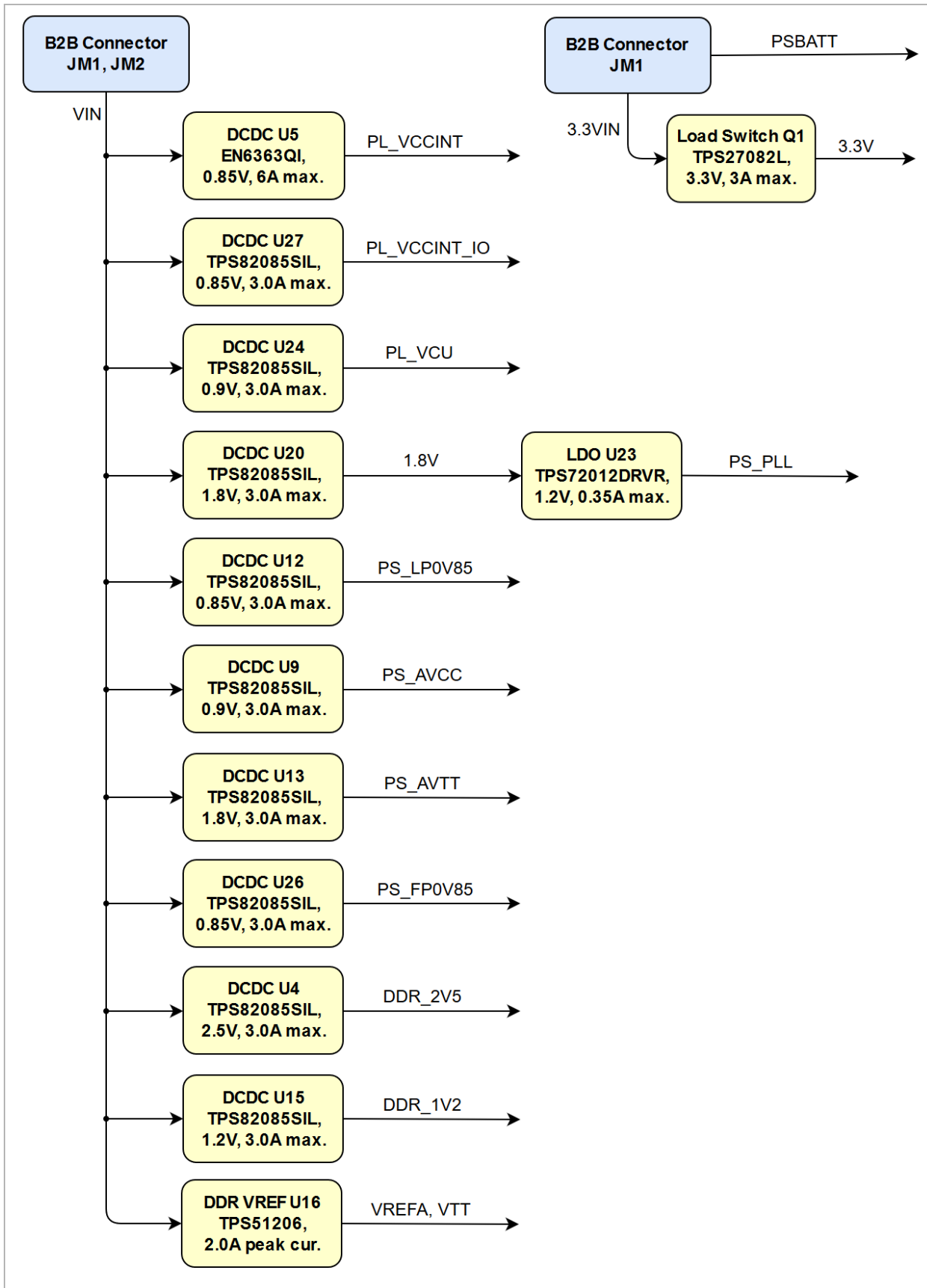


Figure 3: Figure 3: TE0820-03 Power Distribution Diagram

See also Xilinx datasheet DS925 for additional information. User should also check related base board documentation when intending base board design for TE0820 module.

7.4 Power-On Sequence

The TE0820 SoM keeping a specific sequence of enabling the on-board DC-DC converters dedicated to the particular functional units of the Zynq chip and powering up the on-board voltages.

Following diagram clarifies the sequence of enabling the particular on-board voltages, which will power-up in descending order as listed in the blocks of the diagram:

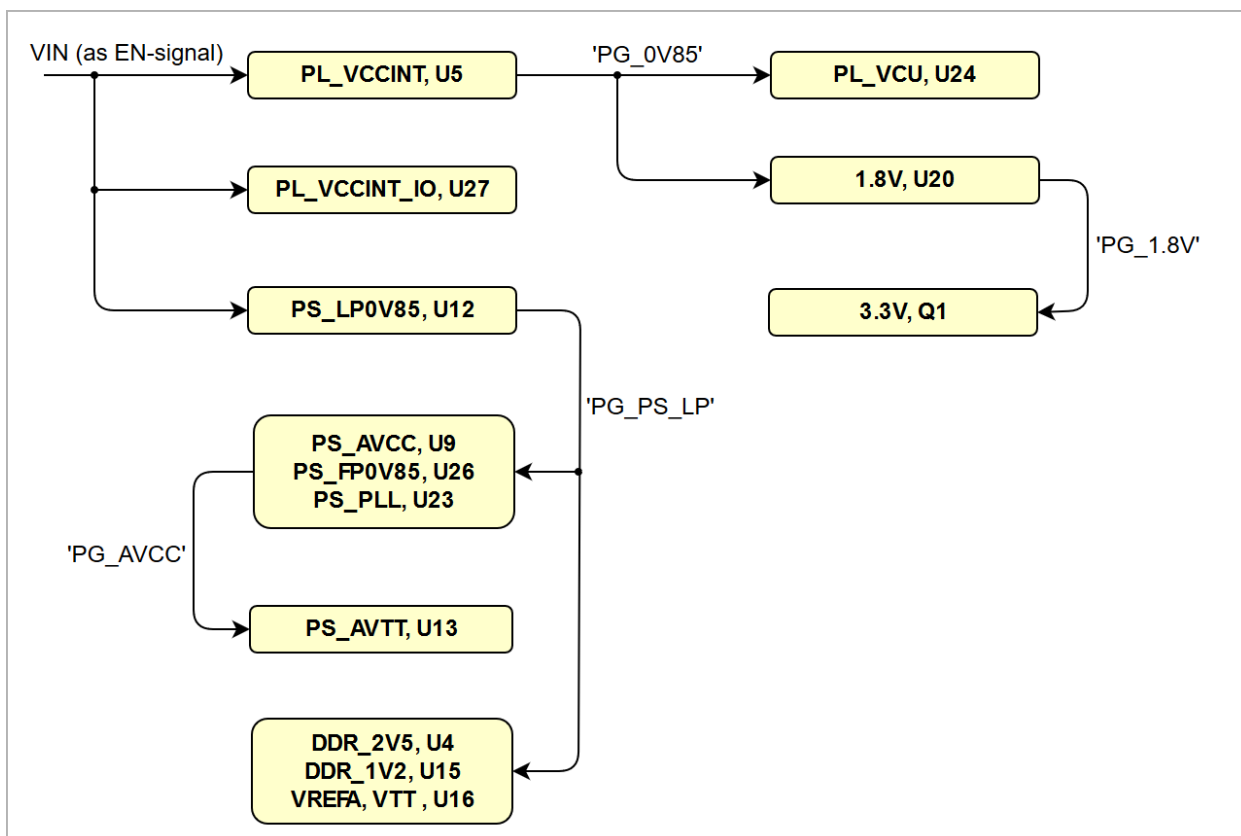


Figure 4: Figure 4: TE0820-03 Power-on Sequence Diagram

For highest efficiency of the on-board DC-DC regulators, it is recommended to use one 3.3V power source for both VIN and 3.3VIN power rails. Although VIN and 3.3VIN can be powered up in any order, it is recommended to power them up simultaneously.

It is important that all carrier board I/Os are 3-stated at power-on until 3.3V_out or 1.8V_out is present on B2B connector JM2 pins 10 and 12, indicating that all on-module voltages have become stable and module is properly powered up.

See Xilinx datasheet DS925 for additional information. User should also check related carrier board documentation when choosing carrier board design for TE0715 module.

7.5 Power Rails

Power Rail Name on B2B Connector	JM1 Pins	JM2 Pins	Direction	Notes
VIN	1, 3, 5	2, 4, 6, 8	Input	Supply voltage from the carrier board
3.3V	-	10, 12	Output	Internal 3.3V voltage level
3.3VIN	13, 15	-	Input	Supply voltage from the carrier board
1.8V	39	-	Output	Internal 1.8V voltage level
JTAG VREF	-	91	Output	JTAG reference voltage. Attention: Net name on schematic is "3.3VIN"
VCCO_64	-	7, 9	Input	High performance I/O bank voltage
VCCO_65	-	5	Input	High performance I/O bank voltage
VCCO_66	9, 11	-	Input	High performance I/O bank voltage

Table 20: Module power rails.

7.6 Bank Voltages

FPGA Bank	Schematic	Voltage	Note
Bank 24 HD		N.C.	Not Connected
Bank 25 HD		N.C.	Not Connected
Bank 26 HD		N.C.	Not Connected
Bank 44 HD		N.C.	Not Connected

FPGA Bank	Schematic	Voltage	Note
Bank 64 HP	VCCO_64	Variable	Max voltage 1.8V
Bank 65 HP	VCCO_65	Variable	Max voltage 1.8V
Bank 66 HP	VCCO_66	Variable	Max voltage 1.8V
Bank 500 PSMIO	VCCO_PSIO0_500	1.8V	
Bank 501 PSMIO	VCCO_PSIO1_501	3.3V	
Bank 502 PSMIO	VCCO_PSIO2_502	1.8V	
Bank 503 PSCONFIG	VCCO_PSIO3_503	1.8V	
Bank 504 PSDDR	DDR_1V2	1.2V	

Table 21: Zynq SoC bank voltages.

8 Board to Board Connectors

⚠ These connectors are hermaphroditic. Odd pin numbers on the module are connected to even pin numbers on the baseboard and vice versa.

4 x 5 modules use two or three [Samtec Razor Beam LSHM connectors](#)⁶ on the bottom side.

- 2 x REF-189016-02 (compatible to LSHM-150-04.0-L-DV-A-S-K-TR), (100 pins, "50" per row)
- 1 x REF-189017-02 (compatible to LSHM-130-04.0-L-DV-A-S-K-TR), (60 pins, "30" per row) (depending on module)

8.1 Connector Mating height

When using the same type on baseboard, the mating height is 8mm. Other mating heights are possible by using connectors with a different height

Order number	Connector on baseboard	compatible to	Mating height
23836	REF-189016-01	LSHM-150-02.5-L-DV-A-S-K-TR	6.5 mm
	LSHM-150-03.0-L-DV-A-S-K-TR	LSHM-150-03.0-L-DV-A-S-K-TR	7.0 mm
23838	REF-189016-02	LSHM-150-04.0-L-DV-A-S-K-TR	8.0 mm
	LSHM-150-06.0-L-DV-A-S-K-TR	LSHM-150-06.0-L-DV-A-S-K-TR	10.0mm
26125	REF-189017-01	LSHM-130-02.5-L-DV-A-S-K-TR	6.5 mm
	LSHM-130-03.0-L-DV-A-S-K-TR	LSHM-130-03.0-L-DV-A-S-K-TR	7.0 mm
24903	REF-189017-02	LSHM-130-04.0-L-DV-A-S-K-TR	8.0 mm

⁶ <https://www.samtec.com/technical-specifications/Default.aspx?SeriesMaster=LSHM>

Order number	Connector on baseboard	compatible to	Mating height
	LSHM-130-06.0-L-DV-A-S-K-TR	LSHM-130-06.0-L-DV-A-S-K-TR	10.0mm

Table 22: Connectors.

The module can be manufactured using other connectors upon request.

8.2 Connector Speed Ratings

The LSHM connector speed rating depends on the stacking height; please see the following table:

Stacking height	Speed rating
12 mm, Single-Ended	7.5 GHz / 15 Gbps
12 mm, Differential	6.5 GHz / 13 Gbps
5 mm, Single-Ended	11.5 GHz / 23 Gbps
5 mm, Differential	7.0 GHz / 14 Gbps

Table 23: Speed rating.

8.3 Current Rating

Current rating of Samtec Razor Beam™ LSHM B2B connectors is 2.0A per pin (2 adjacent pins powered).

8.4 Connector Mechanical Ratings

- Shock: 100G, 6 ms Sine
- Vibration: 7.5G random, 2 hours per axis, 3 axes total

9 Technical Specifications

9.1 Absolute Maximum Ratings

Parameter	Min	Max	Units	Notes
VIN supply voltage	-0.3	7	V	See EN6347QI and TPS82085SIL datasheets
3.3VIN supply voltage	-0.1	3.630	V	Xilinx DS925 and TPS27082L datasheet
PS I/O supply voltage, VCCO_PSIO	-0.5	3.630	V	Xilinx document DS925
PS I/O input voltage	-0.5	VCCO_PSIO + 0.55	V	Xilinx document DS925
HP I/O bank supply voltage, VCCO	-0.5	2.0	V	Xilinx document DS925
HP I/O bank input voltage	-0.55	VCCO + 0.55	V	Xilinx document DS925
PS GTR reference clocks absolute input voltage	-0.5	1.1	V	Xilinx document DS925
PS GTR absolute input voltage	-0.5	1.1	V	Xilinx document DS925
Voltage on SC CPLD pins	-0.5	3.75	V	Lattice Semiconductor MachXO2 datasheet
Storage temperature	-40	+85	°C	See eMMC datasheet

Table 24: PS absolute maximum ratings

9.2 Recommended Operating Conditions

Parameter	Min	Max	Units	Notes
VIN supply voltage	3.3	6	V	See TPS82085S datasheet
3.3VIN supply voltage	3.3	3.465	V	See LCMXO2-256HC, Xilinx DS925 datasheet
PS I/O supply voltage, VCCO_PSIO	1.71 0	3.465	V	Xilinx document DS925
PS I/O input voltage	- 0.20	VCCO_PSI O + 0.20	V	Xilinx document DS925
HP I/O banks supply voltage, VCCO	0.95 0	1.9	V	Xilinx document DS925
HP I/O banks input voltage	-0.2 0	VCCO + 0.20	V	Xilinx document DS925
Voltage on SC CPLD pins	-0.3	3.6	V	Lattice Semiconductor MachXO2 datasheet
Operating Temperature Range	0	85	°C	Xilinx document DS925, extended grade Zynq temperature range

Table 25: Recommended operating conditions.

9.3 Physical Dimensions

- Module size: 50 mm × 40 mm. Please download the assembly diagram for exact numbers.
- Mating height with standard connectors: 8 mm
- PCB thickness: 1.6 mm
- Highest part on PCB: approximately 5 mm. Please download the step model for exact numbers.

All dimensions are shown in millimeters.

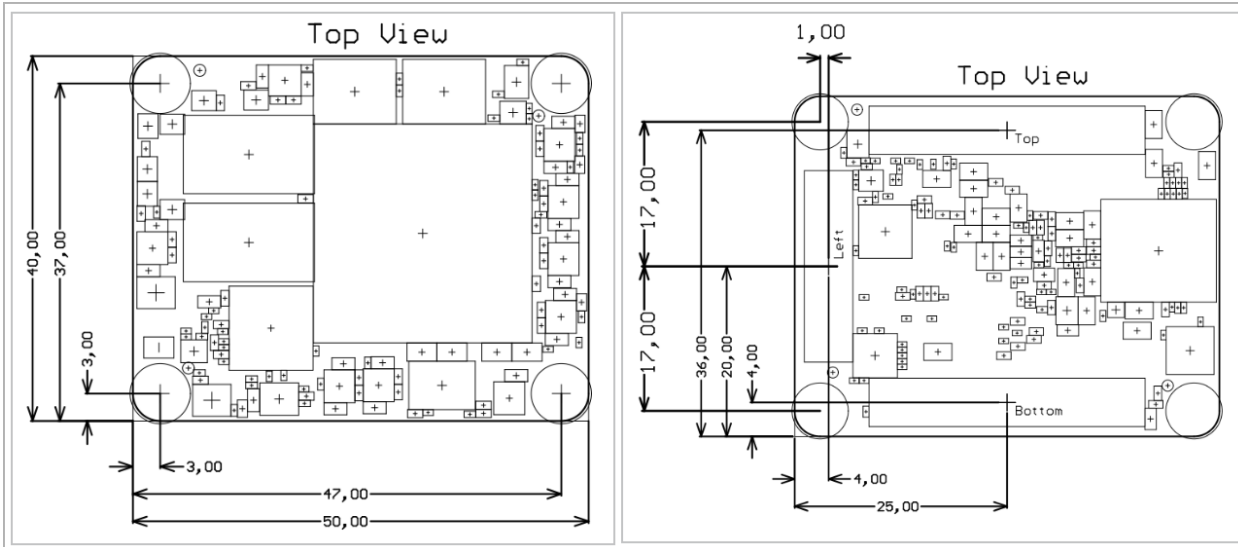


Figure 5: Physical Dimension

10 Currently Offered Variants

Trenz shop TE0820 overview page	
English page⁷	German page⁸

Table 26: Trenz Electronic Shop Overview

⁷ <https://shop.trenz-electronic.de/en/search?sSearch=TE0820>

⁸ <https://shop.trenz-electronic.de/de/search?sSearch=TE0820>

11 Revision History

11.1 Hardware Revision History

Date	Revision	Changes	Documentation Link	
2020-08-14	04	<ul style="list-style-type: none"> Fixed DDR4 connection (BG1), support B-die DDR4 Industrial grade chips Added R93, changed value C62, change obsolete U28 Added R89 (10R) Added additional caps 4.7uF to PS_AVTT/PS_AVCC (Xilinx doc UG583) Changed R51 20k ->10K (PS_AVCC = 0.85V, Xilinx doc DS925 v1.17) Fixed DDR4 connection (Alert) Added 3.3V signal to CPLD Added testpoints LIB components update 	PCN-20200616⁹	TE0820-4¹⁰
2019-01-02	03	<ul style="list-style-type: none"> Fixed VCU connection: add additional DCDC (0.9V) LIB components update Change package 1K resistors (0402 -> 0201) Added LEDs (1x user LED, 1x LED for ERR_STATUS, 1xLED for ERR_OUT) Change obsolete 2xSPI Flash (256MBit) -> 2xSPI Flash (512MBit) Added additional DCDCs (PL_VCCINT_IO, PS_FP0V85) Changed DCDC (U5) 6A (optional 4A) 	PCN-20190110¹¹	TE0820-03¹²
2017-08-17	02	<ul style="list-style-type: none"> Added MAC EEPROM (slave address) LIB components update Fixed SD Card connection Fixed sense connection from DCDC Made correct power connection for VCU (removed DCDC, added resistors and caps like as Xilinx recommended) Added resistors for variants (ZU+ with/without VCU) Added termination resistors (240R) to VRP pins for all HP-banks 	PCN-20171117¹³	TE0820-02¹⁴

⁹ <https://wiki.trenz-electronic.de/display/PD/PCN-20200616+TE0820-03+to+TE0820-04++Hardware+Revision+Change>

¹⁰ https://shop.trenz-electronic.de/Download/?path=Trenz_Electronic/Modules_and_Module_Carriers/4x5/TE0820/REV04

¹¹ https://wiki.trenz-electronic.de/display/PD/PCN-20190110a+TE0820-03-*+SPI+Flash+and+eMMC+Change

¹² https://shop.trenz-electronic.de/Download/?path=Trenz_Electronic/Modules_and_Module_Carriers/4x5/TE0820/REV03

¹³ <https://wiki.trenz-electronic.de/display/PD/PCN-20171117+TE0820-02+SPI+Flash+Change>

¹⁴ https://shop.trenz-electronic.de/Download/?path=Trenz_Electronic/Modules_and_Module_Carriers/4x5/TE0820/REV02


Date	Revision	Changes	Documentation Link	
2016-12-23	01	Prototype only	-	TE0820-01 ¹⁵

Table 27: Hardware Revision History



Figure 6: Module hardware revision number

11.2 Document Change History

Date	Revision	Contributor	Description
 2022-11-02	v.100(see page 6)	John Hartfiel ¹⁶	<ul style="list-style-type: none"> Corrected Key features
2021-12-17	v.99	Vadim Yunitski	<ul style="list-style-type: none"> Corrected 'Bank voltages' table
2021-07-14	v.98	John Hartfiel	<ul style="list-style-type: none"> bugfix boot mode
2021-07-05	v.97	John Hartfiel	<ul style="list-style-type: none"> published style changes
2020-09-18	v.95	Pedram Babakhani	<ul style="list-style-type: none"> Update to REV04 Update the TRM format Technical Information update
2020-03-16	v.87	John Hartfiel	<ul style="list-style-type: none"> Corrected PLL section Corrected Designators USB, ETH PHY, CLK section
2020-02-03	v.85	Martin Rohrmüller	<ul style="list-style-type: none"> Corrected #MIOs for QSPI and USB in block diagram
2019-11-28	v.81	Martin Rohrmüller	<ul style="list-style-type: none"> typo and designator in section USB interface corrected

¹⁵ https://shop.trenz-electronic.de/Download/?path=Trenz_Electronic/Modules_and_Module_Carriers/4x5/TE0820/REV01

¹⁶ <https://wiki.trenz-electronic.de/display/~j.hartfiel>

Date	Revision	Contributor	Description
2019-10-30	v.80	John Hartfiel	<ul style="list-style-type: none"> typo correction
2019-09-17	v79	Martin Rohrmüller	<ul style="list-style-type: none"> Updated according to PCN-20190110: eMMC, QSPI-Flash
2019-07-17	v.78	Martin Rohrmüller	<ul style="list-style-type: none"> Corrected PJTAG Mio Pin29 in table 8
2019-05-08	v.77	John Hartfiel	<ul style="list-style-type: none"> Corrected EEPROM I2C Address Correction USB PHY connection
2018-11-12	v.74	John Hartfiel	<ul style="list-style-type: none"> update boot section
2018-08-30	v.73	John Hartfiel	<ul style="list-style-type: none"> typo correction update CPLD section add LEDs to component list add 3D picture of REV03 instead of REV01 picture
2018-07-12	v.69	Ali Naseri	<ul style="list-style-type: none"> Update PCB Rev03
2018-06-11	v.61	John Hartfiel	<ul style="list-style-type: none"> Rework chapter currently available products add PJTAG note to MIOtable
2018-03-12	v.54		<ul style="list-style-type: none"> Correction Power Rail Section
2017-11-20	v.51	John Hartfiel	<ul style="list-style-type: none"> Correction Default MIO Configuration Table
2017-11-10	v.50	John Hartfiel	<ul style="list-style-type: none"> Replace B2B connector section
2017-10-18	v.49	John Hartfiel	<ul style="list-style-type: none"> add eMMC section
2017-09-25	v.48	John Hartfiel	<ul style="list-style-type: none"> Correction in the "Board to Board (B2B) I/Os" section Update in the "Variants Currently In Production" section
2017-09-18	v.47	John Hartfiel	<ul style="list-style-type: none"> Update PS MIO table
2017-08-30	v.46	Jan Kumann	<ul style="list-style-type: none"> MGT lanes section added.

Date	Revision	Contributor	Description
2017-08-24	v.36	John Hartfiel	<ul style="list-style-type: none"> • Correction in the "Key Features" section.
2017-08-21	v.34	John Hartfiel	<ul style="list-style-type: none"> • "Initial delivery state" section updated.
2017-08-21	v.33	Jan Kumann	<ul style="list-style-type: none"> • HW revision 02 block diagram added. • Power distribution and power-on sequence diagram added. • System Controller CPLD and DDR4 SDRAM sections added. • TRM update to the template revision 1.6 • Weight section removed. • Few minor corrections.
2017-08-18	v.7	John Hartfiel	<ul style="list-style-type: none"> • Style changes • Updated "Boot Mode", "HW Revision History", "Variants Currently In Production" sections • Correction of MIO SD Pin-out, System Controller chapter • Update and new sub-sections on "On Board Peripherals and Interfaces" sections
2017-08-07	v.5	Jan Kumann	<ul style="list-style-type: none"> • Initial version
--	all	Pedram Babakhani¹⁷ , Ali Naseri¹⁸ , Antti Lukats¹⁹ , John Hartfiel²⁰ , Jan Kumann²¹ , Martin Rohrmüller²² , Susanne Kunath²³ , Vadim Yunitski²⁴	<ul style="list-style-type: none"> • --

Table 28: Document change history.

17 <https://wiki.trenz-electronic.de/display/~P.Babakhani>
18 <https://wiki.trenz-electronic.de/display/~a.naseri>
19 <https://wiki.trenz-electronic.de/display/~antti.lukats>
20 <https://wiki.trenz-electronic.de/display/~j.hartfiel>
21 <https://wiki.trenz-electronic.de/display/~j.kumann>
22 <https://wiki.trenz-electronic.de/display/~m.rohrmueller>
23 <https://wiki.trenz-electronic.de/display/~s.kunath>
24 <https://wiki.trenz-electronic.de/display/~v.yunitski>

Table 21: Document change history

12 Disclaimer

12.1 Data Privacy

Please also note our data protection declaration at <https://www.trenz-electronic.de/en/Data-protection-Privacy>

12.2 Document Warranty

The material contained in this document is provided “as is” and is subject to being changed at any time without notice. Trenz Electronic does not warrant the accuracy and completeness of the materials in this document. Further, to the maximum extent permitted by applicable law, Trenz Electronic disclaims all warranties, either express or implied, with regard to this document and any information contained herein, including but not limited to the implied warranties of merchantability, fitness for a particular purpose or non infringement of intellectual property. Trenz Electronic shall not be liable for errors or for incidental or consequential damages in connection with the furnishing, use, or performance of this document or of any information contained herein.

12.3 Limitation of Liability

In no event will Trenz Electronic, its suppliers, or other third parties mentioned in this document be liable for any damages whatsoever (including, without limitation, those resulting from lost profits, lost data or business interruption) arising out of the use, inability to use, or the results of use of this document, any documents linked to this document, or the materials or information contained at any or all such documents. If your use of the materials or information from this document results in the need for servicing, repair or correction of equipment or data, you assume all costs thereof.

12.4 Copyright Notice

No part of this manual may be reproduced in any form or by any means (including electronic storage and retrieval or translation into a foreign language) without prior agreement and written consent from Trenz Electronic.

12.5 Technology Licenses

The hardware / firmware / software described in this document are furnished under a license and may be used / modified / copied only in accordance with the terms of such license.

12.6 Environmental Protection

To confront directly with the responsibility toward the environment, the global community and eventually also oneself. Such a resolution should be integral part not only of everybody's life. Also enterprises shall be conscious of their social responsibility and contribute to the preservation of our common living space. That is why Trenz Electronic invests in the protection of our Environment.

12.7 REACH, RoHS and WEEE

REACH

Trenz Electronic is a manufacturer and a distributor of electronic products. It is therefore a so called downstream user in the sense of REACH²⁵. The products we supply to you are solely non-chemical products (goods). Moreover and under normal and reasonably foreseeable circumstances of application, the goods supplied to you shall not release any substance. For that, Trenz Electronic is obliged to neither register nor to provide safety data sheet. According to present knowledge and to best of our knowledge, no SVHC (Substances of Very High Concern) on the Candidate List²⁶ are contained in our products. Furthermore, we will immediately and unsolicited inform our customers in compliance with REACH - Article 33 if any substance present in our goods (above a concentration of 0,1 % weight by weight) will be classified as SVHC by the European Chemicals Agency (ECHA)²⁷.

RoHS


Trenz Electronic GmbH herewith declares that all its products are developed, manufactured and distributed RoHS compliant.

WEEE

Information for users within the European Union in accordance with Directive 2002/96/EC of the European Parliament and of the Council of 27 January 2003 on waste electrical and electronic equipment (WEEE).

Users of electrical and electronic equipment in private households are required not to dispose of waste electrical and electronic equipment as unsorted municipal waste and to collect such waste electrical and electronic equipment separately. By the 13 August 2005, Member States shall have ensured that systems are set up allowing final holders and distributors to return waste electrical and electronic equipment at least free of charge. Member States shall ensure the availability and accessibility of the necessary collection facilities. Separate collection is the precondition to ensure specific treatment and recycling of waste electrical and electronic equipment and is necessary to achieve the chosen level of protection of human health and the environment in the European Union. Consumers have to actively contribute to the success of such collection and the return of waste electrical and electronic equipment. Presence of hazardous substances in electrical and electronic equipment results in potential effects on the environment and human health. The symbol consisting of the crossed-out wheeled bin indicates separate collection for waste electrical and electronic equipment.

Trenz Electronic is registered under WEEE-Reg.-Nr. DE97922676.

 2019-06-07

²⁵ <http://guidance.echa.europa.eu/>

²⁶ <https://echa.europa.eu/candidate-list-table>

²⁷ <http://www.echa.europa.eu/>