

Company	Trenz Electronic GmbH
PCN Number	PCN-20210126
Title	TE0720-03 DDR3, Flash, EMMC Change and Product Update
Subject	BOM change
Issue Date	2021-01-29

1 Products Affected

This change affects all Trenz Electronic TE0720 SoMs of revision 03: TE0720-03-*

Affected Product	Changes	Replacement
TE0720-03-14S-1C	#1, #2, #3, #4	TE0720-03-31C33FA
TE0720-03-1CFA	#1, #2, #3, #4	TE0720-03-61C33FA
TE0720-03-1QF	#1, #2, #3, #4	TE0720-03-61Q33FA
TE0720-03-1QFA	#1, #2, #3, #4	TE0720-03-61Q33FA
TE0720-03-1QFA-V1	#1, #2, #3, #4	TE0720-03-61Q33FAD
TE0720-03-1QC11	#1, #2, #3, #4	TE0720-03-61Q33FAE
TE0720-03-1QC12	#1, #2, #3, #4	TE0720-03-61Q33FAF
TE0720-03-1QFL	#1, #2, #3, #4	TE0720-03-61Q33FL
TE0720-03-2IF	#1, #2, #3, #4	TE0720-03-62I33FA
TE0720-03-2IFA	#1, #2, #3, #4	TE0720-03-62I33FA
TE0720-03-2IFC1	#1, #2, #3, #4	TE0720-03-62I33FAN
TE0720-03-2IFC3	#1, #2, #3, #4	TE0720-03-62I33FL
TE0720-03-62I12GA	#1, #2, #4	TE0720-03-62I33GA

Affected Product	Changes	Replacement
TE0720-03-L1IF	#1 ⁽¹⁾ , #2, #3, #4	TE0720-03-64I63FA
TE0720-03-62I320M	#2, #4 ⁽²⁾	TE0720-03-62I330M
TE0720-03-1CR	#1, #2, #4	TE0720-03-61C530A
TE0720-03-1QFD	#2, #3, #4	TE0720-03-61Q43FA
TE0720-03-61Q42GA	#2, #4	TE0720-03-61Q43GA
TE0720-03-1CFA-S	#1, #2, #3, #4	TE0720-03-61C33FAS

⁽¹⁾ Only U12 assembled, U13 not fitted.

⁽²⁾ Only U6 assembled, U14 not fitted.

2 Changes

2.1 #1 Change DDR3 RAM (U12, U13) from IM4G16D3FABG-125I to IS43TR16256BL-125KBLI

Type: BOM change

Reason: Component is end of life.

Impact: New DDR timings may be considered in designs. DDR3 setup used in reference design is known to work still.

2.2 #2 Replaced Flash (U7) to IS25LP512M-RHLE

Type: BOM change

Reason: Ensure long time availability.

Impact: Jedec Manufacturer ID changed from 01h to 9Dh, the device ID from 18h to 19h. 512Mbit flash are now available.

2.3 #3 Change eMMC (U15) to IS21ES08G-JCLI

Type: BOM change

Reason: Improve availability.

Impact: Most of the variants had installed 4GB. For this variants the eMMC capacity is increased to 8 GByte.

2.4 #4 Clock Revision Change (U6, U14) SiT8008AI-... to SiT8008BI-...

Type: BOM change

Reason: Switch to actual revision. Revision A devices may be discontinued.

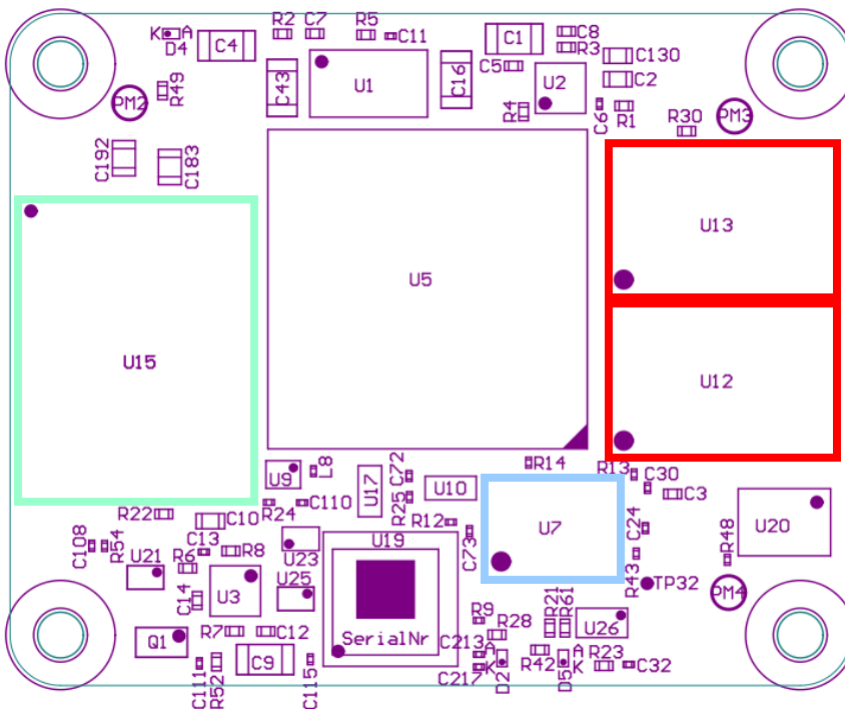
Impact: None.

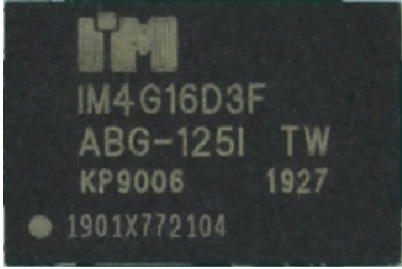


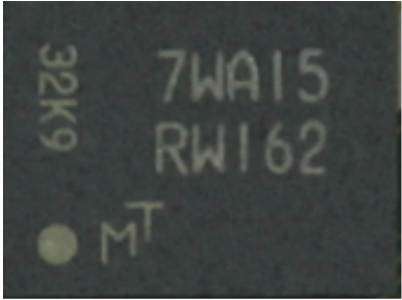

2.5 Please Note:

Additionally to the changes above a CPLD update for TE0720-03 is prepared. The PCN with title "PCN-20210127 TE0720-03 CPLD Firmware Update" will be published mid of February 2021. New variants in the column replacement (see table above) with the only exception 61Q33FAD will have the updated CPLD Firmware. Both, new and old CPLD Firmware are compatible to all mentioned revision 03 SoM variants. The CPLD Firmware will be online available. Further detailed description will be given in the upcoming PCN.

3 Method of Identification

Locate DDR3 RAM (U12, U13), Flash (U7) and EMMC (U15) on top side of PCB:



old	new
<p>IM4G16D3FABG-125I</p>	<p>IS43TR16256BL-125KBLI</p>
 <p>IM4G16D3F ABG-125I TW KP9006 1927 1901X772104</p>	 <p>ISSI 2001 IS43TR16256BL -125KBLI K096 MLP758000Y1 TWN</p>
<p>S25FL256SAGBHI20 or MT25QL256ABA8E12-1SIT</p>	<p>IS25LP512M-RHLE</p>
 <p>SPANSION FL256SAIH20 8128B122 A THAILAND ©10 SPANSION</p> <p>TE0720-03-1QFA and TE0720-03-2IFA only:</p>  <p>32K9 7WA15 RW162 MT</p>	 <p>ISSI 1932 IS25LP512M -RHLE P1P641B9</p>

old	new
<p>MTFC4GACAJCN-4M IT</p> <p>or</p> <p>KLM8G1GETF-B041</p>	<p>IS21ES08G-JCLI</p>
<div data-bbox="272 607 676 958" data-label="Image"> </div> <p data-bbox="328 1070 619 1104">TE0720-03-1CFA only:</p> <div data-bbox="272 1176 676 1527" data-label="Image"> </div>	<div data-bbox="917 898 1318 1249" data-label="Image"> </div>

4 Production Shipment Schedule

TE0720-03-61C33FA variant will be available from mid of May in parallel to the precursor. From end of Juli 2021, after old stock is gone, all variants above are replaced by the corresponding variants.

5 Contact Information

If you have any questions related to this PCN, please contact Trenz Electronics Technical Support at

- forum.trenz-electronic.de¹
- wiki.trenz-electronic.de²
- support@trenz-electronic.de³ (subject = PCN-20210126)
- phone
 - national calls: 05223 65301-0
 - international calls: 0049 5223 65301-0

6 Disclaimer

Any projected dates in this PCN are based on the most current product information at the time this PCN is being issued, but they may change due to unforeseen circumstances. For the latest schedule and any other information, please contact your local Trenz Electronic sales office, technical support or local distributor.

¹ <http://forum.trenz-electronic.de/>

² <http://wiki.trenz-electronic.de/>

³ <mailto:support@trenz-electronic.de?subject=PCN-20210126>