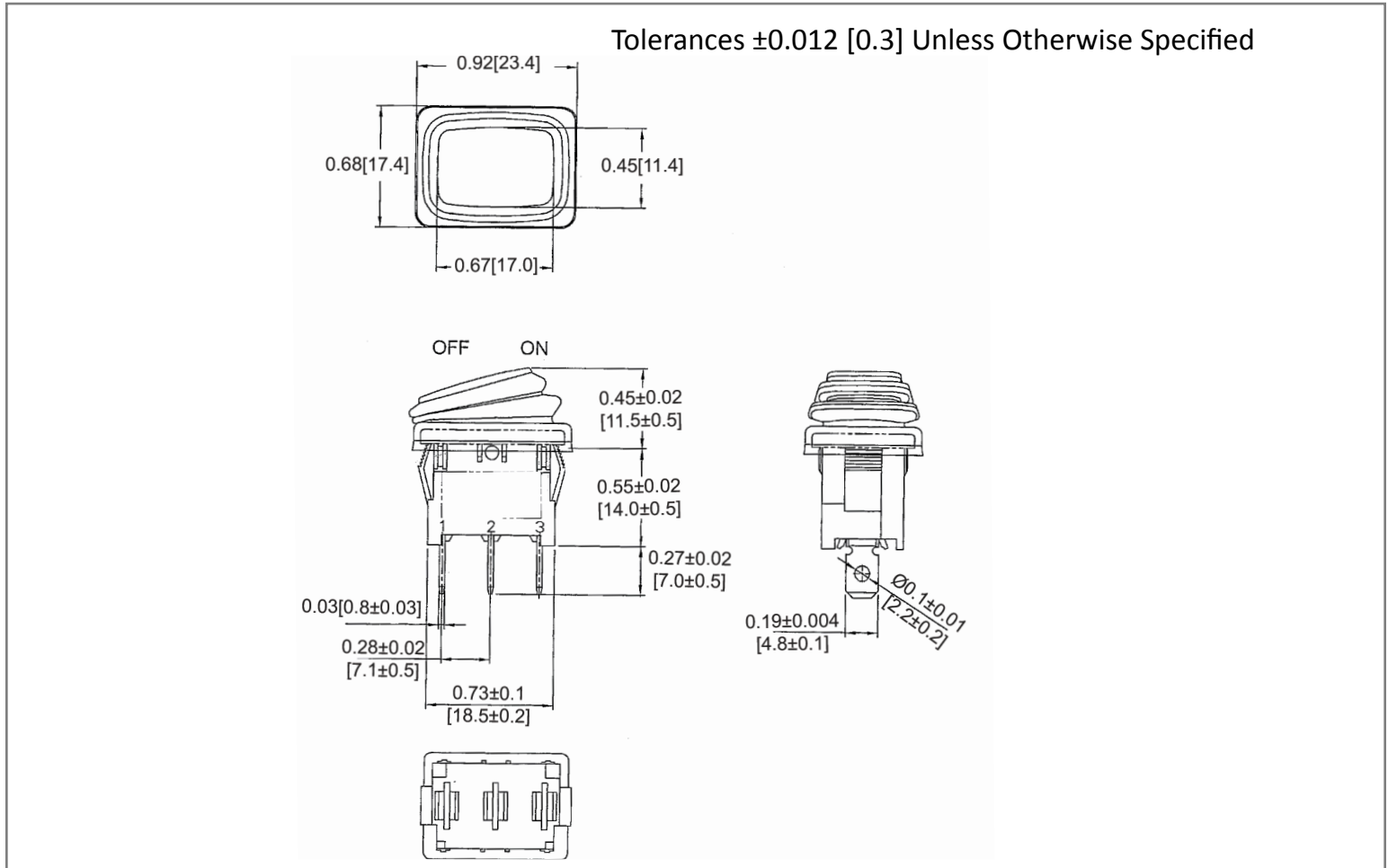
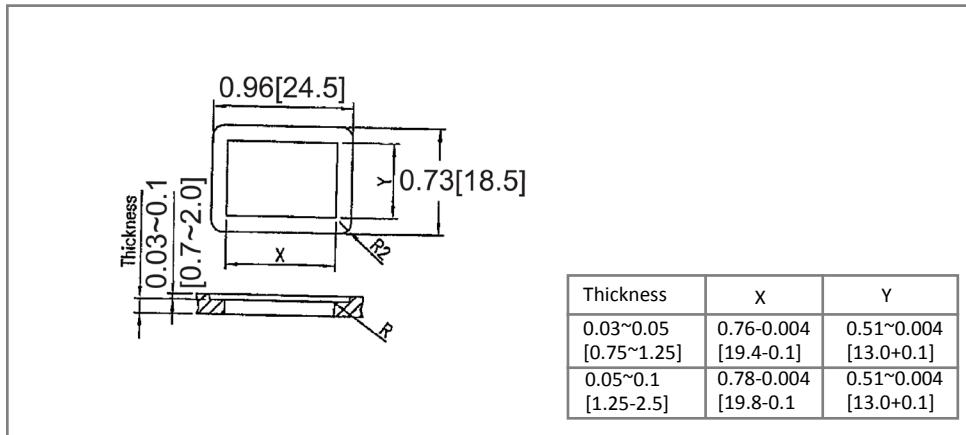


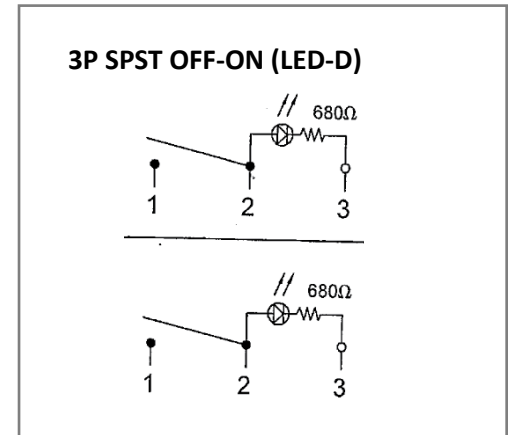
## Mechanical Dimensions: Inches [mm]



## Mounting Hole



## Circuit Diagram



## Electrical Specifications

<b>Rating</b>	16A 12V DC	
<b>Contact Resistance</b>	50m ohm Max	
<b>Insulation Resistance</b>	DC 500V 100M ohm Min	
<b>Dielectric Strength</b>	AC 1500V 1 minute	
<b>Operation Temperature</b>	-25°C~85°C	

## Material Specifications

<b>Frame</b>	Black, Nylon 66 (94-V2)
<b>Actuator</b>	Red, PC(94-V2)
<b>LED</b>	Red (Dependent)
<b>Waterproof</b>	IP-65
<b>Waterproof Rubber</b>	Black, Silicone

Rev	Date of issue	Revision Notes	Designed	Approved
B	07-13-2021	Initial Drawing	RC	OF