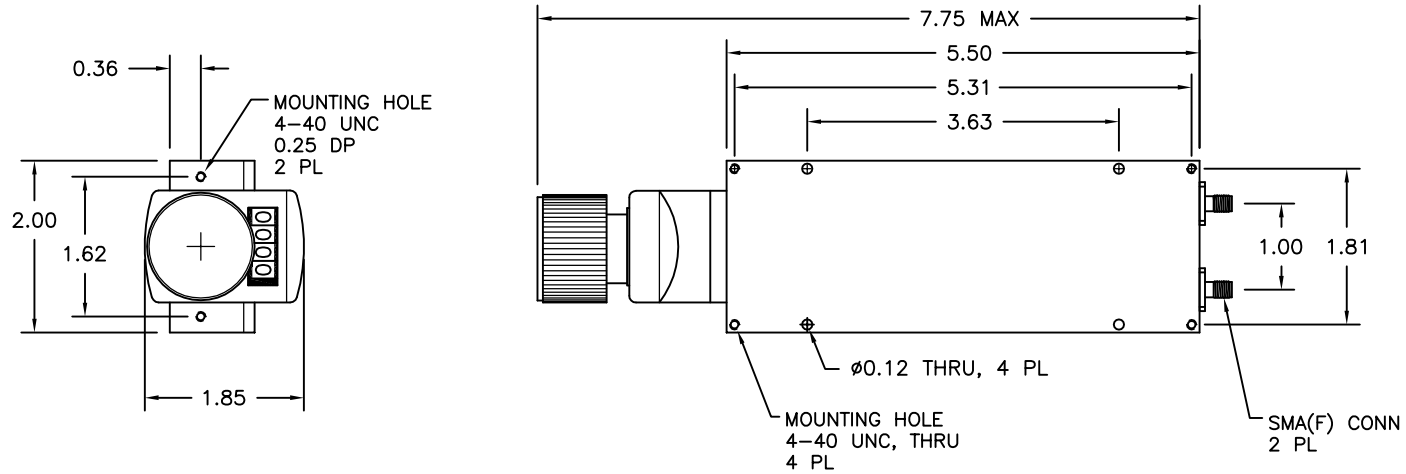
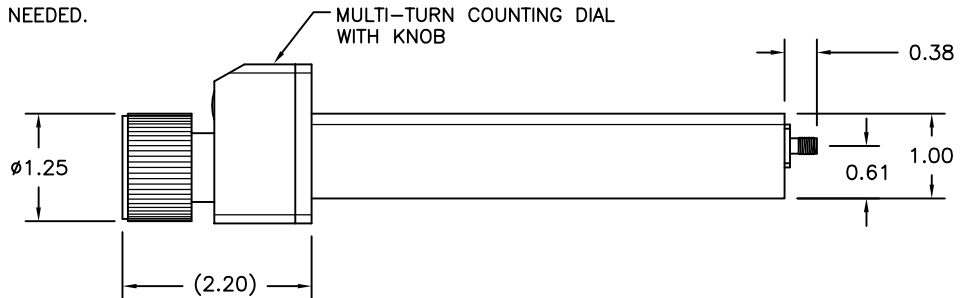


REV A	AUTH RL	DATE 07/13/01	INITIAL RELEASE
B	RL	09/08/01	ADDED $\phi 0.12$ THRU HOLES, 4 PL
C	DM	07/30/12	ADDED 'DIAL POSITION' NOTE ; CORRECTED MODEL#



DIAL ORIENTATION

UNIT SHIPPED FROM FACTORY WITH DIAL POSITIONED AS SHOWN.
DIAL CAN BE REPOSITIONED BY CUSTOMER AS NEEDED.



NOTES:

- ALL MODELS HAVE AN RF POWER RATING OF 100W AVG & 3 KW PEAK.

THIRD ANGLE PROJECTION:		APPROVALS	DATE		ADVANCED TECHNICAL MATERIALS, INC.		THE INFORMATION IN THIS DRAWING IS PROPRIETARY AND SHALL NOT BE USED OR DISCLOSED WITHOUT THE PRIOR WRITTEN CONSENT OF ATM, INC. DO NOT SCALE DWG.
UNLESS OTHERWISE NOTED, DIMENSIONS ARE IN INCHES, TOLERANCES ARE: FRACTIONS: $\pm 1/64$ ANGLES: $\pm 1/2^\circ$ MACHINED FINISH 63 \checkmark OR BETTER		DRAWN RL	07/13/01		TEL: (631) 289-0363 FAX: (631) 289-0358 www.atmmicrowave.com		
DECIMALS 2 PLACE 3 PLACE		CHKD.		OUTLINE 5.5" PHASESHIFTER - w/Digital Counting Dial			REVISION C
± 0.01 ± 0.005		APRVD.					SIZE A
		MATERIAL -		SCALE NONE	MODEL # P15xxD		
		TREATMENT -					
		ATM STD GRAY					