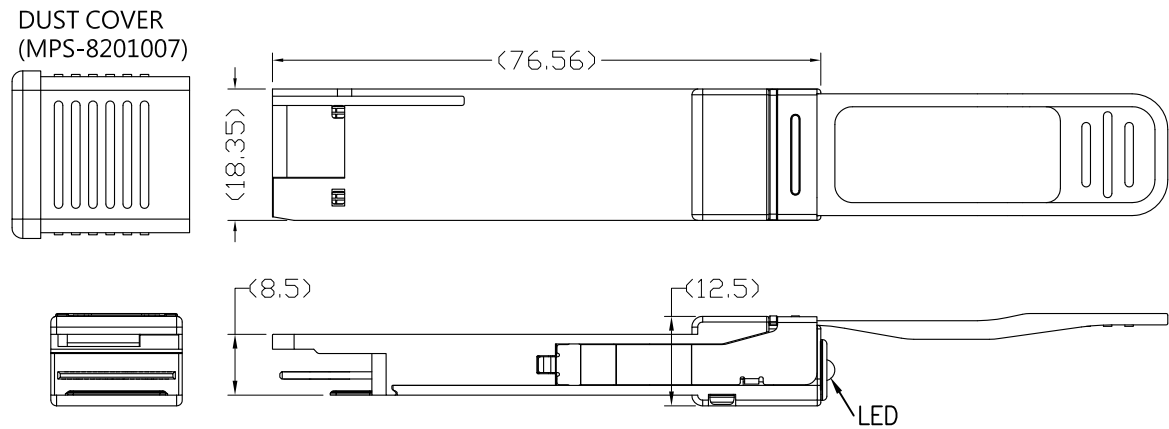


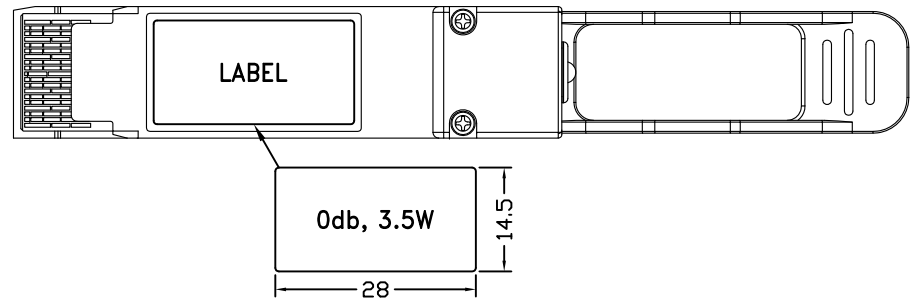
1	2	3	4	5	6	7	8	9
Rev.	Remark	Date	Sign.					

RoHS



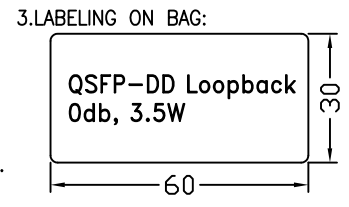
Select:

Loss 0dB	<input checked="" type="checkbox"/>	Class 0 (0 W)	<input type="checkbox"/>
Loss 1dB	<input type="checkbox"/>	Class 1 (1.5W max.)	<input type="checkbox"/>
Loss 2dB	<input type="checkbox"/>	Class 2 (3.5W max.)	<input checked="" type="checkbox"/>
Loss 3dB	<input type="checkbox"/>		
Loss 4dB	<input type="checkbox"/>		
Loss 5dB	<input type="checkbox"/>		
Loss 6dB	<input type="checkbox"/>		



**MATERIAL ROHS COMPLIANT:**

- 1.QSFP-DD LOOPBACK ADAPTER:  
 (1) P.C.B: 8 LAYERS, GOLD PLATING ON CONTACT PADS.  
 (SPCB-080002A0C2, AC COUPLING, 0dB, CLASS2-3.5W)  
 (2) LATCH: STAINLESS STEEL WITH PULL TAB, COLOR: BLUE.  
 (3) BACKSHELL: ZINC DIE CASTING HOOD/ NICKEL PLATING.
- 2.TWO-WIRE SERIAL MEMORY: ATMEL AT24C02D OR EQUIVALENT,  
 DIGITAL MONITORING, CONTROL FUNCTION AND MEMORY PAGE NOT SUPPORTED.

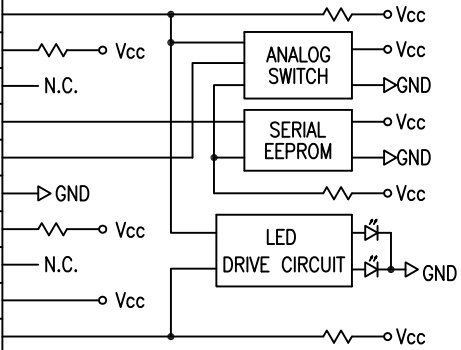


UNICONN CORPORATION 科懋實業有限公司	Desc.	QSFP-DD LOOPBACK ADAPTER 0dB CLASS2-3.5W	Approved	Checked	Designed	Tolerance	Scale	*	Unit	mm	
	P/N	UASS-AD000335	Customer P/N		Sino	*	Date	12/03/'19	DWG NO:	DWG\AD\335	

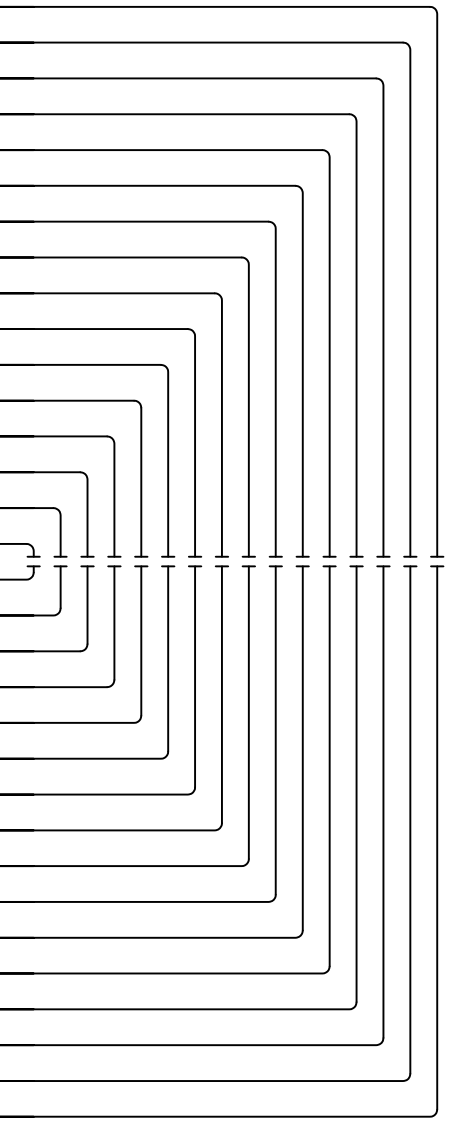
1	2	3	4	5	6	7	8	9
---	---	---	---	---	---	---	---	---

1	2	3	4	5	6	7	8	9	
Rev.	Remark	Date	Sign.						

LOW SPEED SIGNAL & POWER	
PAD	SIGNAL
8	ModSelL
9	ResetL
10	VccRx
11	SCL
12	SDA
27	ModPrsL
28	IntL
29	VccTx
30	Vcc1
31	InitMode
46	Reserved
47	VS1
48	VccRx1
49	VS2
50	VS3
65	NC
66	Reserved
67	VccTx1
68	Vcc2
69	Reserved



HIGH SPEED SIGNAL	
PAD	SIGNAL
36	TX1p
37	TX1n
3	TX2p
2	TX2n
33	TX3p
34	TX3n
6	TX4p
5	TX4n
74	TX5p
75	TX5n
41	TX6p
40	TX6n
71	TX7p
72	TX7n
44	TX8p
43	TX8n
62	RX8n
63	RX8p
53	RX7n
52	RX7p
59	RX6n
60	RX6p
56	RX5n
55	RX5p
24	RX4n
25	RX4p
15	RX3n
14	RX3p
21	RX2n
22	RX2p
18	RX1n
17	RX1p
GND Group	GND



GND Group: 01,04,07,13,16,19,20,23,26,32,35,38,39,42,45,51,54,57,58,61,64,70,73,76  
 \*AC Coupling



Desc.	QSFP-DD LOOPBACK ADAPTER 0dB CLASS2-3.5W	Approved	Checked	Designed	Tolerance	Scale	*	Unit	mm	
P/N	UASS-AD000335	Customer P/N		Sino	*	Date	12/03/19	DWG NO:	DWG\AD\335	

1	2	3	4	5	6	7	8	9
---	---	---	---	---	---	---	---	---