



D0106LT-33-0604

VFD (Vacuum Fluorescent Display)

RoHS Compliant

Newhaven Display International, Inc.

2511 Technology Drive, Suite 101

Elgin IL, 60124

Ph: 847-844-8795

Fax: 847-844-8796

www.newhavendisplay.com

nhtech@newhavendisplay.com

nhsales@newhavendisplay.com

Vacuum Fluorescent Display Specification

PART NUMBER: **D0106LT-33-0604**

FEATURES: 6 Digits, 7-Segmented, Instrumentation

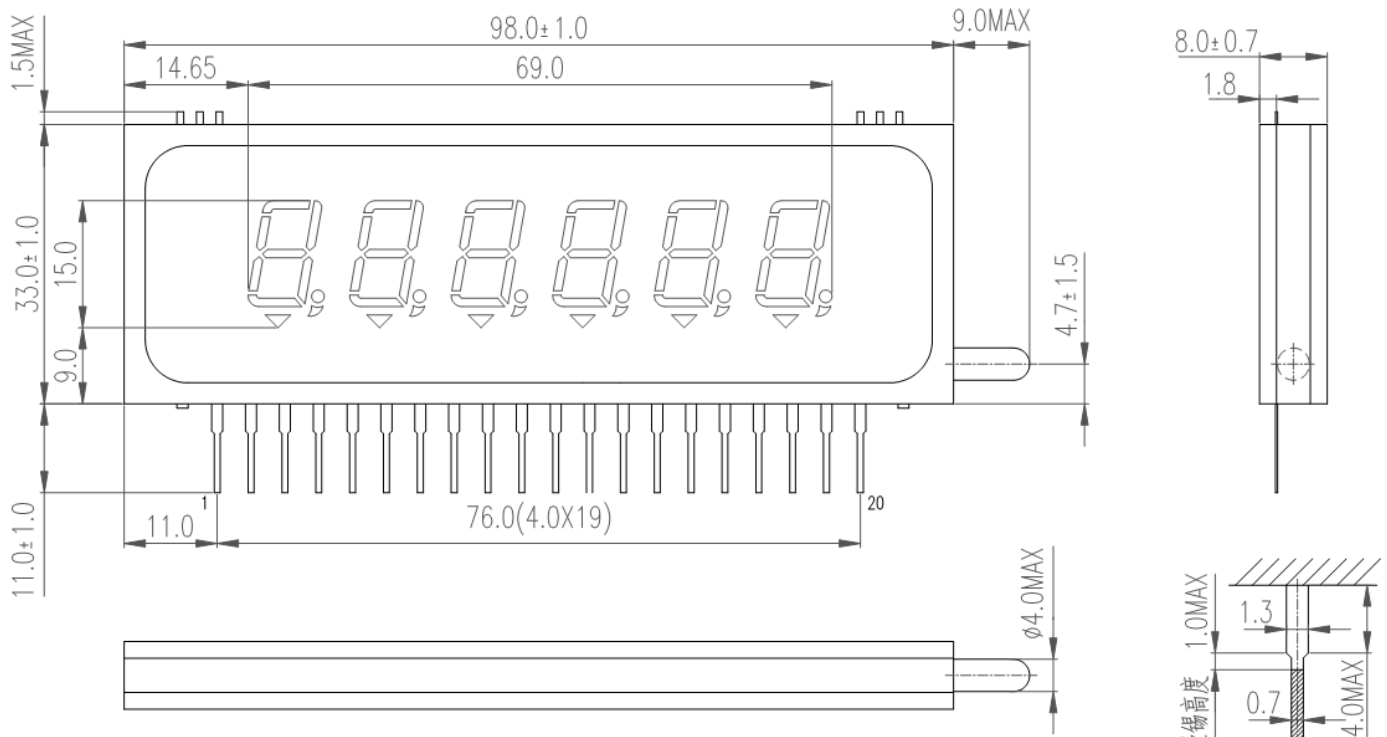
APPLICATION: Character Display (*7-Segmented*)

RATINGS: Below

Outer Dimensions	Panel Length	P.L.	98.0	mm	
	Panel Height	P.H.	33.0	mm	
	Panel Thickness	P.T.	8.0	mm	
Leads	Lead Pitch	L.P.	4.0	mm	
	Lead Out	-	SIL		
Character Size	Character Height	C.H.	12.4	mm	
	Character Width	C.W.	6.8	mm	
Item	Symbol	Min.	Recommended	Max.	Unit
Filament Voltage	Ef	3.4	3.8	4.2	Vac
Peak Grid Voltage	ec	-	26.0	33.0	Vp-p
Peak Anode Voltage	eb	-	26.0	33.0	Vp-p
-	-	-	-	-	-
Duty Cycle	Du	-	1/7	-	-
Pulse Width	tp	-	200	-	uS
Operating Temperature	Topr	-40	-	+ 85	C
Storage Temperature	Tstg	-50	-	+ 95	C
Color of Illumination	Green				

**Electrical
Characteristics**

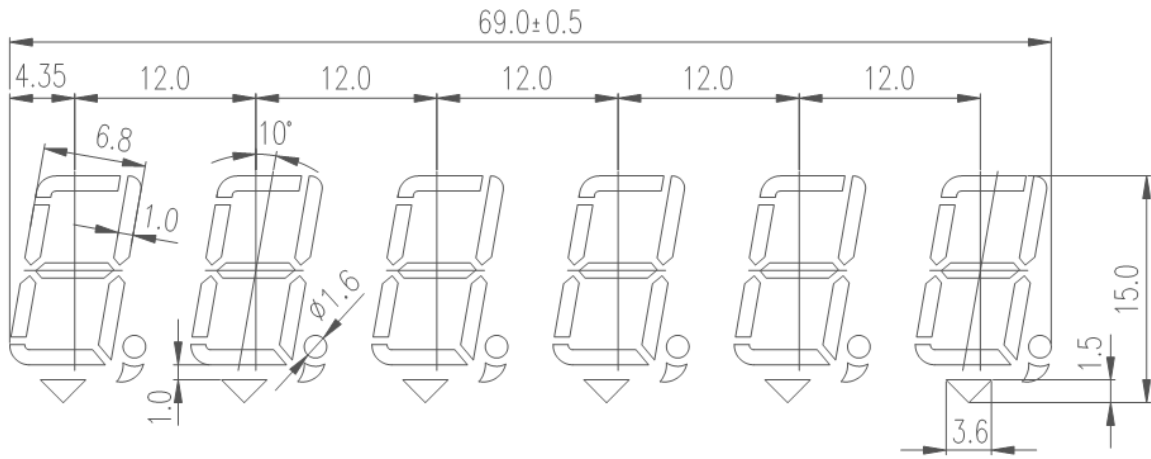
Item	Symbol	Test Condition	Min.	Typical	Max.	Unit
Filament Current	lf	Ef = 3.8 Vac eb = ec = 0	97.0	108.0	119.0	mAac
Anode Current	ib/1G~6G	Ef = 3.8 Vac eb = 26.0 Vp-p ec = 26.0 Vp-p Du = 1/7 Tp = 200 uS	-	5.0	10.0	MAp-p
	-		-	-	-	MAp-p
	-		-	-	-	MAp-p
	-		-	-	-	MAp-p
	-		-	-	-	MAp-p
Grid Current	ic / 1G~6G		-	7.0	14.0	MAp-p
	-		-	-	-	MAp-p
	-		-	-	-	MAp-p
	-		-	-	-	MAp-p
	-		-	-	-	MAp-p
Luminance	L(G)		343 (100)	686 (200)	-	cd/m ² fL
	-					
Luminance Ratio	Lmin/Lmax		50	-	-	%
Grid Cut-off Voltage	Ecco	Ef = 3.8 Vac eb = 26.0 Vdc	-4.0	-	-	Vdc
Anode Cut-off Voltage	Ebco	Ef = 3.8 Vac ec = 26.0 Vp-p Du = 1/7 Tp = 200uS	-2.0	-	-	Vdc



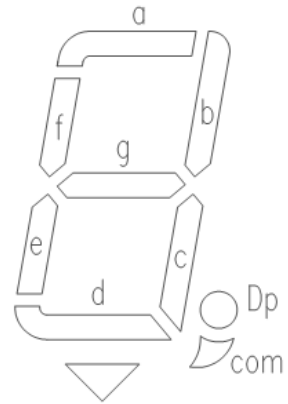
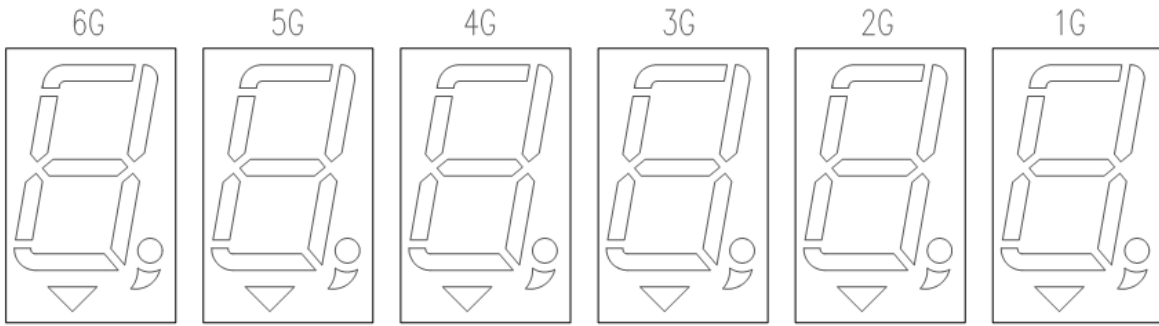
管脚连接 (PIN CONNECTION)

端子序号 (PIN NO.)	1	2	3	4	5	6	7	8	9	10	11	12	13	14	15	16	17	18	19	20
连接 (CONNECTION)	F	NC	6G	P7	P6	5G	P5	P4	4G	P10	NC	3G	P9	P8	2G	P3	P2	1G	P1	F

注 Note : F: 灯丝 (Filament) P: 阳极 (Anode) G: 栅极 (Grid) NC: 无连接 (No connection)



绿色Green (X=0.250, Y=0.440)



Anode Connection**D0106LT-33-0604**

	11G	10G	9G	8G	7G	6G
P1	a	a	a	a	a	a
P2	b	b	b	b	b	b
P3	c	c	c	c	c	c
P4	d	d	d	d	d	d
P5	e	e	e	e	e	e
P6	f	f	f	f	f	f
P7	g	g	g	g	g	g
P8	Dp	Dp	Dp	Dp	Dp	Dp
P9	com	com	com	com	com	com
P10	