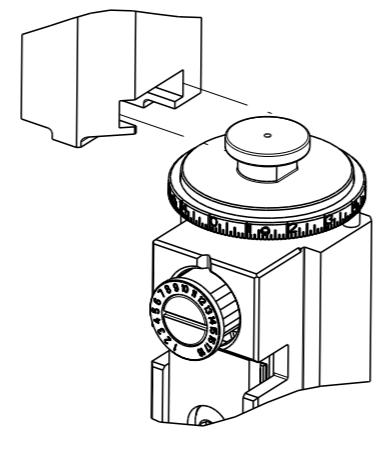


PART NUMBER	REVISION	DESCRIPTION	FEED TYPE
2150034-1	G	FINE CRIMP HEIGHT ADJUST	MECHANICAL
2150034-2	G	FINE CRIMP HEIGHT ADJUST	PNEUMATIC
7-2150034-1	G	MECHANICAL AND CRIMP TOOLING KIT	MECHANICAL
7-2150034-2	G	PNEUMATIC AND CRIMP TOOLING KIT	PNEUMATIC
7-2150034-7	A	CRIMP TOOLING KIT	-
7-2150034-8	F	OVERLAP INSULATION CRIMPER	9

ATLANTIC VERSION TERMINATOR INTERFACE ADAPTER



APPLICATOR DATA		
CRIMP	SIZE	TYPE
WIRE	2.79 mm [.110]	F
INSUL	4.57 mm [.180]	F
INSUL	4.57 mm [.180]	OV
APPL INSTRUCTIONS 408-35043		

TERMINAL DATA: TE TERMINAL TE CRIMP SPECIFICATION			
TERMINAL NAME: 250 SERIES RECEPTACLE WITH LATCH			
WIRE STRIP LENGTH	INSULATION DIAMETER RANGE		
5.20-5.90 mm [.205-.232 IN]	Ø2.16-3.43 mm [.085-.135 IN]		
TERMINAL APPLICATION SPECIFICATION	114-5052		
TERMINALS APPLIED			
TE TERMINAL	TE TERMINAL	TE TERMINAL	TE TERMINAL
170032-1	170032-2	170032-5	170342-1
170342-2	170031-1	170031-2	170031-3
170031-5	1-170031-1	1-170031-2	2-170031-1
2-170031-2	4-170031-2	170032-4	

TERMINAL DATA: TE TERMINAL TE CRIMP SPECIFICATION			
TERMINAL NAME: 250 SERIES RECEPTACLE WITH LATCH			
WIRE STRIP LENGTH	INSULATION DIAMETER RANGE		
5.20-5.90 mm [.205-.232 IN]	Ø2.16-3.43 mm [.085-.135 IN]		
TERMINAL APPLICATION SPECIFICATION			
TERMINALS APPLIED			
TE TERMINAL	TE TERMINAL	TE TERMINAL	TE TERMINAL
170342-1	170342-2		

WIRE SIZE	CRIMP HEIGHT mm [INCH]	CRIMP HEIGHT REFERENCE SETTING
2.00mm2	1.45+/-0.05 [.057+/-0.002]	3.3
1.25mm2	1.35+/-0.05 [.053+/-0.002]	6.3
0.85mm2	1.19+/-0.05 [.047+/-0.002]	7.1
0.50mm2	1.12+/-0.05 [.044+/-0.002]	8.9

WIRE SIZE	CRIMP HEIGHT mm [INCH]	CRIMP HEIGHT REFERENCE SETTING
1.50mm2	1.35+/-0.05 [.053+/-0.002]	6.3

***WARNING**
ON INSTALLATION, SET WIRE DISC TO CRIMP HEIGHT REFERENCE SETTING FOR LARGEST WIRE SIZE. CRIMP HEIGHT REFERENCE SETTINGS GREATER THAN THE VALUE SHOWN MAY CAUSE DAMAGE TO THE CRIMP TOOLING. REFER TO THE INSTRUCTION SHEET FOR PROPER SETUP AND ADJUSTMENTS.

- 1 RECOMMENDED SPARE PARTS
- 2 REFER TO SUPPLIED INSTRUCTION SHEET FOR CLEANING, LUBRICATION AND STORAGE OF APPLICATOR.
- 3 APPLY PART NUMBER 2-23419-6 LOCTITE TO THREADS OF ITEM 242. APPLY PART NUMBER 1-23419-5 LOCTITE TO THREADS OF ITEM 50.
- 4 CRIMP HEIGHT REFERENCE SETTING WAS THE SETTING USED WHEN THE APPLICATOR WAS QUALIFIED AT THE FACTORY. ADJUSTMENT MAY BE NECESSARY WHEN RUNNING APPLICATOR IN THE FIELD.
- 5 TERMINAL LUBRICANT IS RECOMMENDED.
- 6. UNLESS SPECIFIED OTHERWISE TORQUE VALUES SHALL BE USED PER DOCUMENT, 101-35000.
- 7 THIS CRIMP PARAMETER IS PROVIDED TO MEET A CUSTOM AND UNIQUE CUSTOMER REQUIREMENT. IT HAS BEEN EVALUATED AND IS CONDITIONALLY SPECIFIED BY TE CONNECTIVITY. THIS CUSTOMIZED CRIMP PARAMETER IS NOT LISTED AS AN APPROVED APPLICATION WITHIN A TE CONNECTIVITY APPLICATION SPECIFICATION; HOWEVER, IT HAS BEEN VALIDATED ACCORDING TO TE CONNECTIVITY SPECIFICATIONS 109-18079 (TEST GROUP 1) AND 114-18022. TE CONNECTIVITY EXPRESSLY DISCLAIMS ANY AND ALL WARRANTIES THAT THE PRODUCT WILL PERFORM SIMILARLY TO VALIDATED AND APPROVED APPLICATIONS, AS STATED WITHIN TE CONNECTIVITY APPLICATION SPECIFICATIONS, INCLUDING BUT NOT LIMITED TO IMPLIED WARRANTIES OF MERCHANTABILITY OR FITNESS FOR PARTICULAR PURPOSE. AS SUCH, IT IS HIGHLY RECOMMENDED THAT THE CUSTOMER PERFORM FURTHER DETAILED EVALUATION TO ASSESS PRODUCT PERFORMANCE IN THE SPECIFIC APPLICATION.
- 8 WIRE SIZE 0.50mm2 IS NOT RECOMMENDED BY APPLICATOR PRODUCT ENGINEERING.
- 9 FOR CASES THAT IT NEED TO USE WIRES AS DIN 72551-6 OR AVS(INSUL.Ø1.6MM-2.7MM)IT IS RECOMMENDED TO USE THE INSULATION CRIMPER OV,PN:2119785-8.

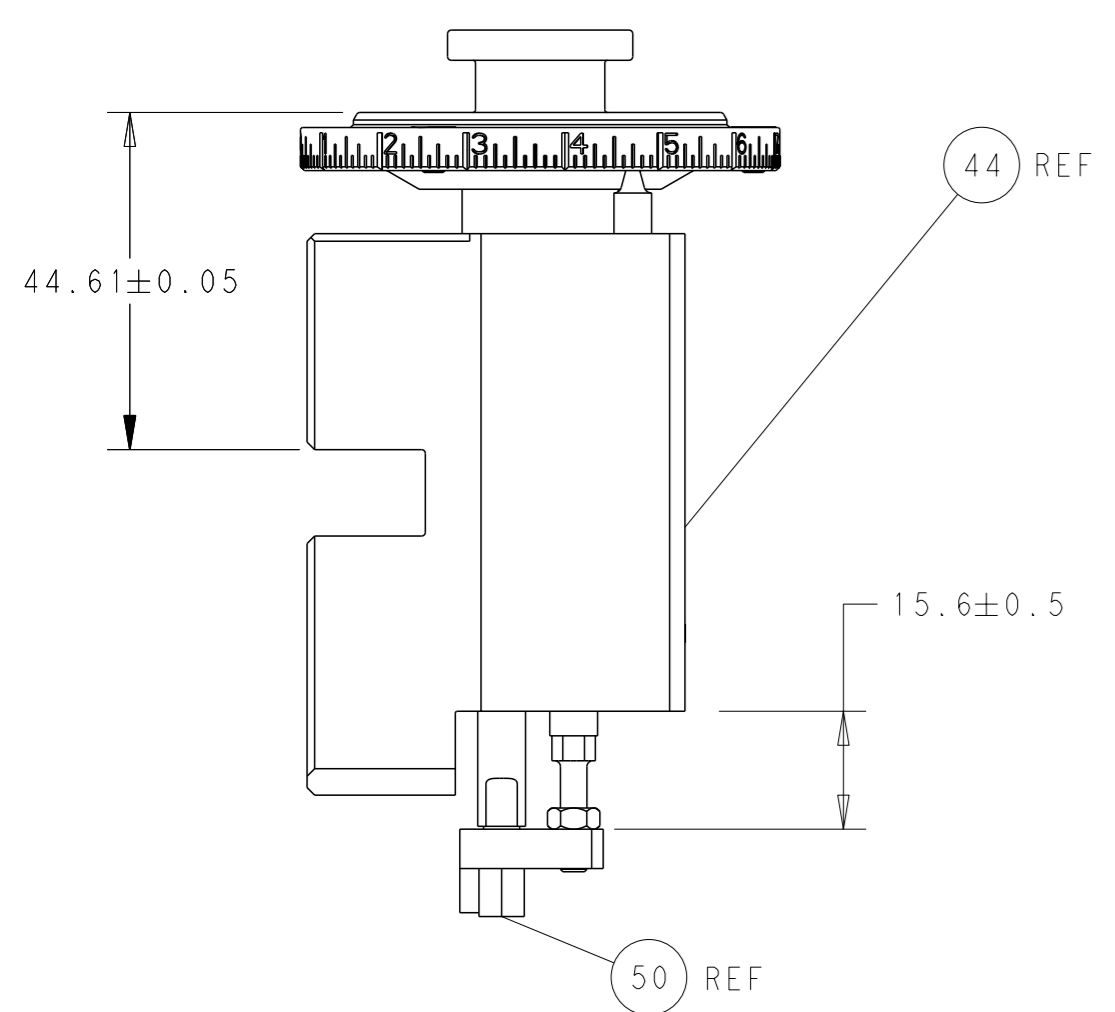
LOC		DIST		REVISIONS			
P	LYR	DESCRIPTION	DATE	OWN	APVD		
E		ECR-18-014716	17SEP2018	TB	TE		
E1		ECR-19-011631	24JUL2019	FZ	RR		
F		ECR-20-010877	31JUL2020	FJ	TE		
G		ECR-20-015566	02NOV2020	JWC	TE		

9	1	-	-	-	-	-	2119785-8	CRIMPER, INSULATION OVERLAP PREMIUM	253
	-	-	1	-	1	-	2119641-1	FEED CAM, AIR FEED	248
	-	-	1	1	1	1	2119082-9	CAM, SNAIL, INSULATION ADJUSTMENT	244
	-	-	1	1	1	1	2079764-1	WASHER, WAVE SPRING, CREST-TO-CREST	243
3	-	-	1	1	1	1	2119083-1	RETAINER, INSULATION DIAL	242
	-	-	-	1	-	1	2119580-1	MECHANICAL FEED ASSEMBLY	239
	-	-	1	-	1	-	2844940-3	AIR FEED MODULE	238
	-	-	1	1	1	1	1-18028-0	WASHER, FLAT, REG M8	192
	-	-	1	1	1	1	6-9931111-6	PIN, SLOTTED SPRING 3.0 X 14.0	177
	-	-	1	1	1	1	8-22280-7	SPRING, COMPRESSION	176
	-	-	1	1	1	1	1752353-2	GUIDE PIN,HOLDDOWN	175
	-	-	1	1	1	1	1901680-2	GUIDE PIN,HOLDDOWN	174
	-	-	REF	REF	REF	REF	994970-2	COUNTER, MAGNETIC	164
5	-	-	1	1	1	1	2119955-2	ASSY, LUBRICATOR, END FEED	84
	-	-	1	1	1	1	455888-4	SPACER, CRIMPER	82
	-	-	1	1	1	1	1803607-4	DOCUMENTATION PACKAGE	71
	-	-	2	2	2	2	2-18032-2	SCR, SET, FLT PNT, M3 X 10.0	70
	-	-	1	1	1	1	2119740-1	TAG, IDENTIFICATION	67
	-	-	2	2	2	2	2168078-1	SCREW, DRIVE, RH, RoHS, 2 x .188	66
	-	-	1	1	1	1	1901681-1	HOLDDOWN, TERMINAL	65
	-	-	1	1	1	1	2168083-2	SCR, SKT HD CAP, RoHS, M4 X 8.0	60
	-	-	2	2	2	2	5-18022-5	SCR, HEX HD CAP, M4 X 6.0	59
	-	-	4	4	4	4	2168400-4	SHCS, LOW HEAD, RoHS, M4 X 8	57
	-	-	2	2	2	2	2168083-3	SCR, SKT HD CAP, RoHS, M4 X 12.0	56
	-	-	2	2	2	2	5018030-1	NUT, HEX, REG, RoHS, M3	54
	-	-	2	2	2	2	986965-8	NUT, LOCK, HEX, TORQUE (M4)	53
	-	-	1	1	1	1	1-5018030-0	NUT, HEX, REG, RoHS, M3.5	52
	-	-	1	1	1	1	2063961-1	FEED FINGER	51
3	-	-	1	1	1	1	1-1752354-0	STANDOFF,HOLD-DOWN	50
	-	-	1	2	1	2	18023-9	SCR, SKT HD CAP M4 X 6.0	49
	-	-	-	1	-	1	2119652-1	FEED CAM, PRE FEED	48
	-	-	-	1	-	1	2119653-1	FEED CAM, POST FEED	47
	-	-	1	1	1	1	2119655-5	APPLICATOR BASIC ASSEMBLY, EF	46
	-	-	1	1	1	1	1803517-1	RAM ASSEMBLY, EF ATLANTIC	44
	-	-	1	1	1	1	1803602-1	SCR, BHSC, RoHS (M8 X 25)	41
	-	-	8	8	8	8	1-18028-2	WASHER, FLAT, REG M4	33
	-	-	2	2	2	2	2168083-9	SCR, SKT HD CAP, RoHS, M4 X 20	31
	-	-	2	2	2	2	2168083-2	SCR, SKT HD CAP, RoHS, M4 X 8.0	29
	-	-	1	1	1	1	240639-1	STRIPPER (MACHINING)	27
	-	-	2	2	2	2	1-2168083-5	SCR, SKT HD CAP, RoHS, M4 X 30	25
	-	-	1	1	1	1	1752371-3	PLATE, STRIP GUIDE	24
	-	-	2	2	2	2	2-22281-3	SPRING, COMPRESSION	22
	-	-	1	1	1	1	1803292-1	DRAG	20
	-	-	2	2	2	2	1901259-5	GUIDE, LOWER STRIP	18
	-	-	4	4	4	4	1-2079383-1	SCR, BHSC, RoHS (M6 X 12)	17
	-	-	1	1	1	1	3-240641-9	SPACER	16
	-	-	1	1	1	1	1752360-1	SPACER,HOLD-DOWN	13
1	-	-	1	1	1	1	240833-2	PLATE, REAR SHEAR	11
	-	-	-	-	-	-	-	-	10
1	-	-	1	1	1	1	690482-3	PLATE, FRONT SHEAR	9
1	-	1	2	2	1	1	1333219-2	ANVIL, COMBINATION	8
1	-	-	1	1	1	1	1-2217206-3	BLADE, SLUG	7
	-	-	1	1	1	1	1-240641-2	SPACER	5
	-	-	1	1	1	1	238011-2	BLOCK, CRIMPER SPACER	4
1	-	1	2	2	1	1	2119582-3	CRIMPER, INSULATION F PREMIUM	3
	-	-	1	1	1	1	455888-8	SPACER, CRIMPER	2
1	-	1	2	2	1	1	2-456408-9	CRIMPER, WIRE PREMIUM	1

ATLANTIC VERSION
Shown on sheets 1 of 4 & 2 of 4
(Pacific version shown on sheets 3 of 4 & 4 of 4)

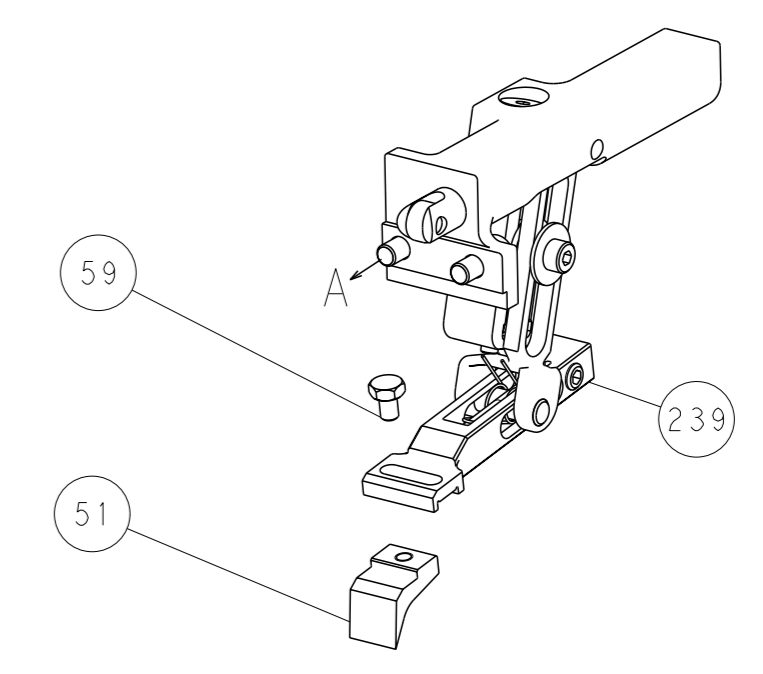
DIMENSIONS:		TOLERANCES UNLESS OTHERWISE SPECIFIED:		MATERIAL:	
mm	0 PLC ±	1 PLC ±	2 PLC ±	3 PLC ±	4 PLC ±
	ANGLES FINISH				
WEIGHT		SCALE		SHEET	
Customer Accessible Production Drawing		1:1		1 of 4	

LOC	DIST	REVISIONS			
A	66	REV	DATE	OWN	APVD
-	-	SEE SHEET 1	-	-	-

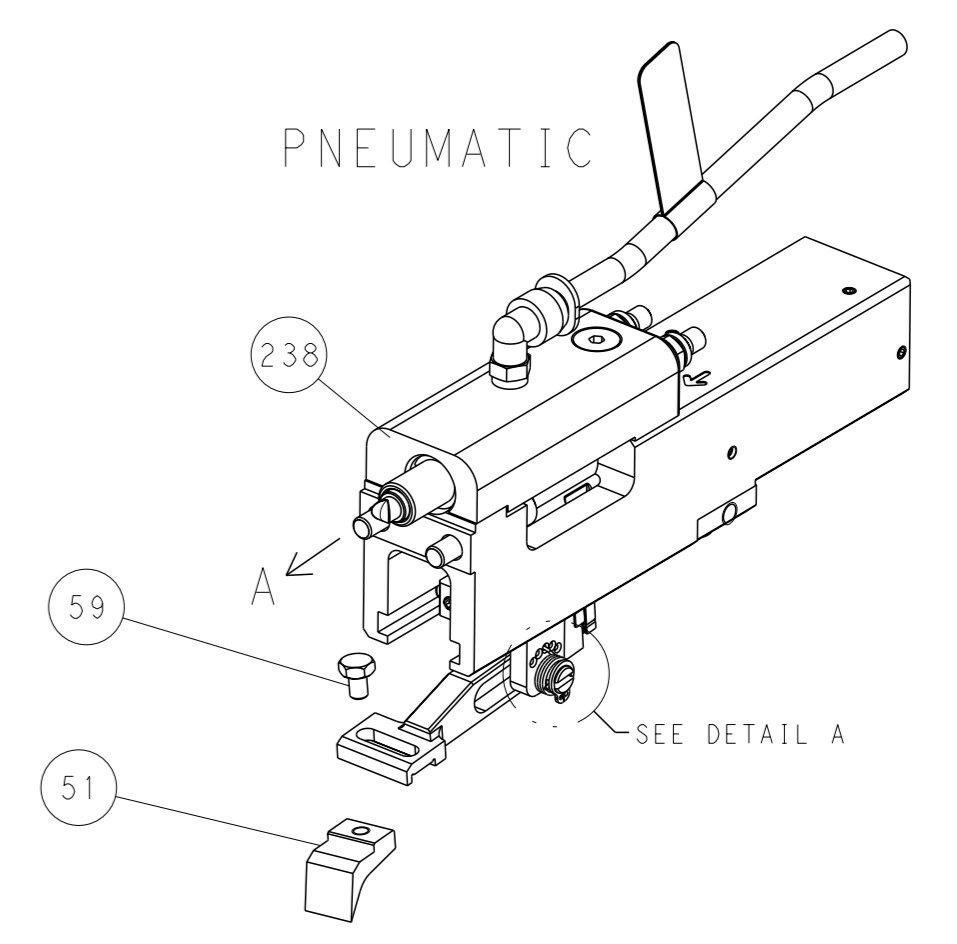


RAM AND HOLDDOWN SET-UP

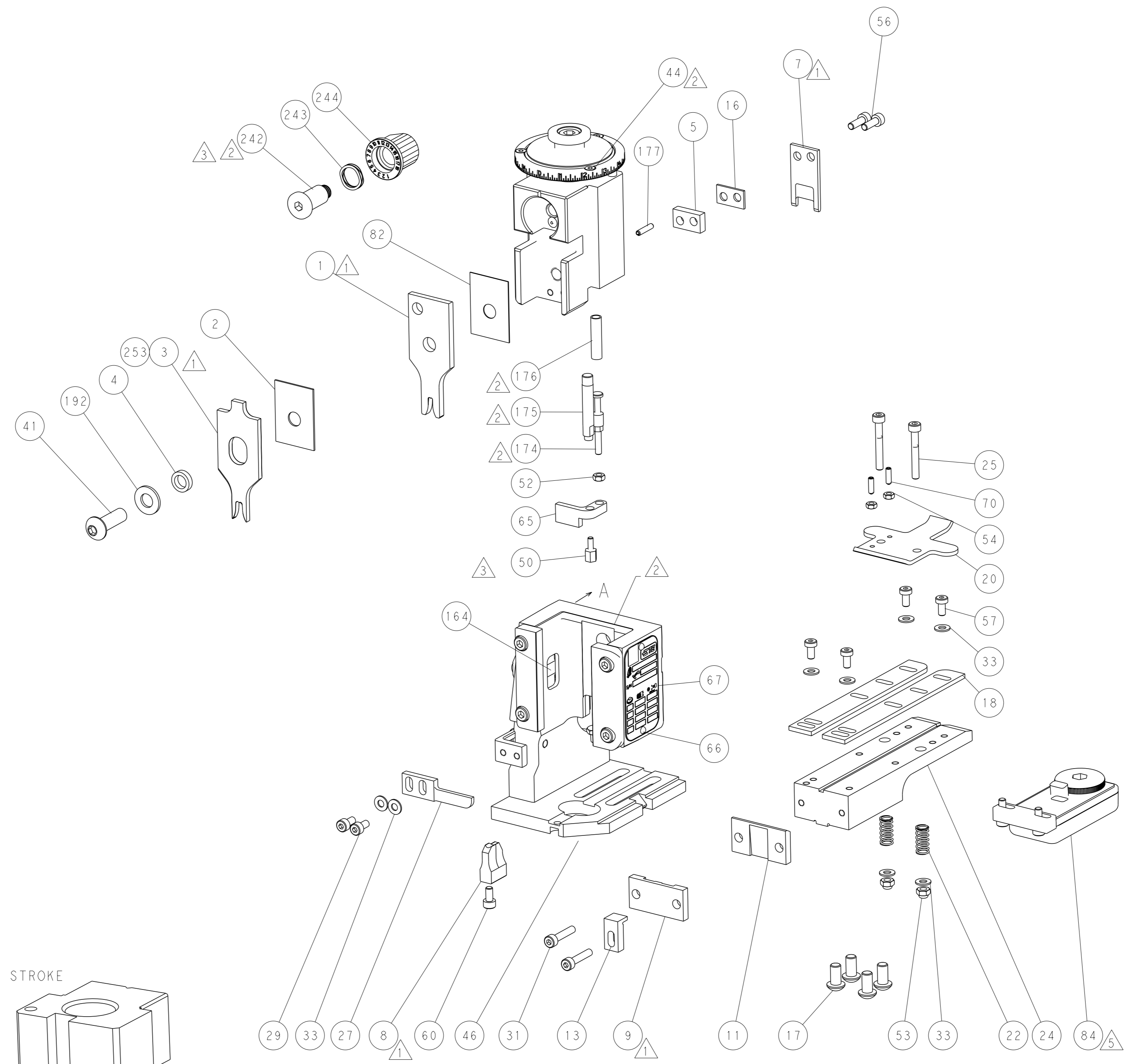
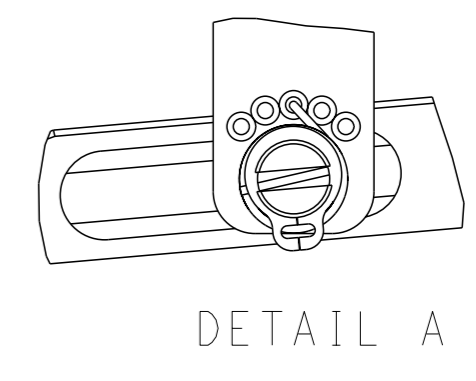
FEED TYPE
MECHANICAL



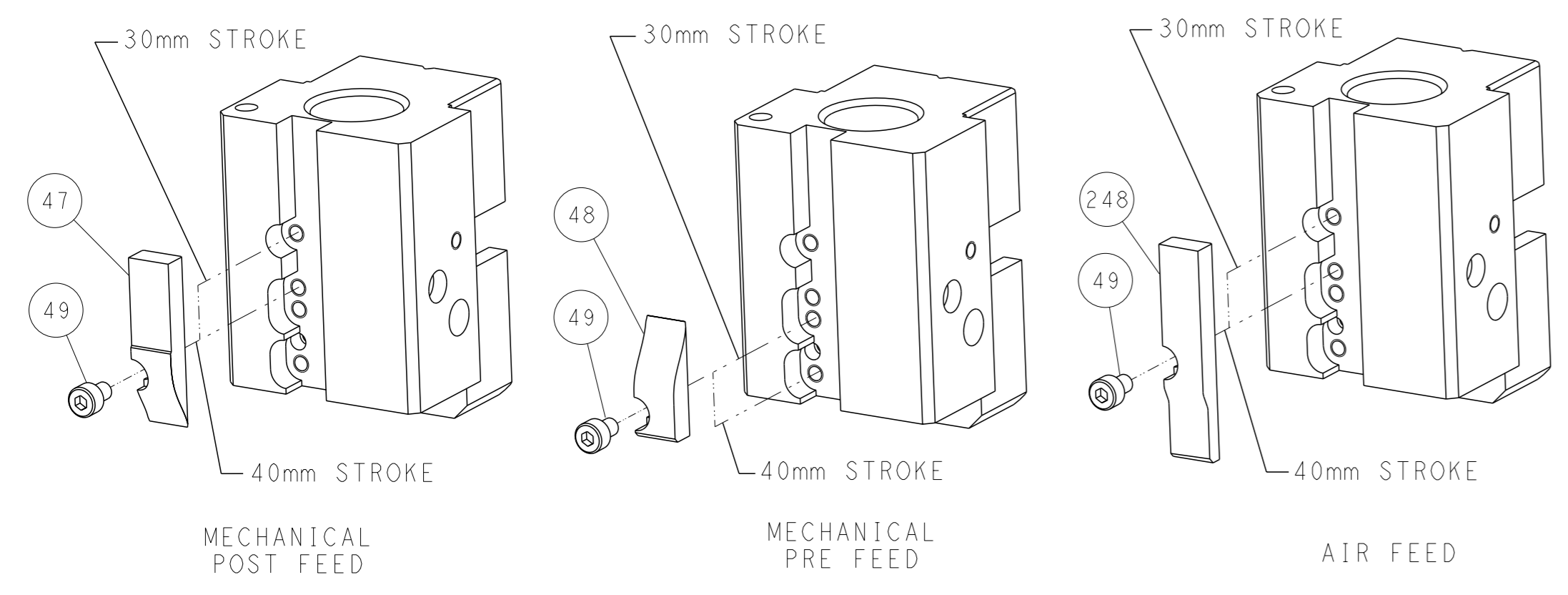
PNEUMATIC



FEED SPRING
SETTING POSITION



CAM POSITIONS

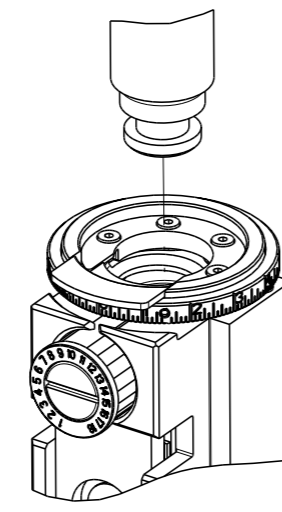


ATLANTIC VERSION
 Shown on sheets 1 of 4 & 2 of 4
 (Pacific version shown on sheets 3 of 4 & 4 of 4)

<small>THIS DRAWING IS A CONTROLLED DOCUMENT FOR TYCO ELECTRONICS CORPORATION. IT IS SUBJECT TO CHANGE AND THE CONTROL AND RESTRICTION DESIGNATION SHOULD BE CONTACTED FOR THE LATEST REVISION.</small>		DWN: C. CHEN 09JAN2012 CHK: S. XI 09JAN2012 APVD: J. CRUZ 09JAN2012	TE Connectivity Harrisburg, PA 17105-3608
DIMENSIONS: mm TOLERANCES UNLESS OTHERWISE SPECIFIED: 0 PLC ± 1 PLC ± 2 PLC ± 3 PLC ± 4 PLC ± ANGLES FINISH ±		NAME: Ocean End Feed Applicator SIZE: A1 CAGE CODE: 00779 DRAWING NO: C=2150034 WEIGHT: - RESTRICTED TO: -	SCALE: 1:1 SHEET: 2 of 4 REV: G
MATERIAL: - FINISH: -		Customer Accessible Production Drawing	

PART NUMBER	REVISION	DESCRIPTION	FEED TYPE
2-2150034-1	G	FINE CRIMP HEIGHT ADJUST	MECHANICAL
2-2150034-2	G	FINE CRIMP HEIGHT ADJUST	PNEUMATIC
7-2150034-7	A	CRIMP TOOLING KIT	-
7-2150034-8	F	OVERLAP INSULATION CRIMPER	△9

PACIFIC VERSION TERMINATOR INTERFACE ADAPTER



APPLICATOR DATA		
CRIMP	SIZE	TYPE
WIRE	2.79 mm [.110]	F
INSUL	4.57 mm [.180]	F
INSUL	4.57 mm [.180]	OV

APPL INSTRUCTIONS
408-35043

TERMINAL DATA: TE TERMINAL		TE CRIMP SPECIFICATION	
TERMINAL NAME: 250 SERIES RECEPTACLE WITH LATCH			
WIRE STRIP LENGTH		INSULATION DIAMETER RANGE	
5.20-5.90 mm [.205-.232 IN]		∅2.16-3.43 mm [.085-.135 IN]	
TERMINAL APPLICATION SPECIFICATION	114-5052	-	-
TERMINALS APPLIED △5			
TE TERMINAL	TE TERMINAL	TE TERMINAL	TE TERMINAL
170032-1	170032-2	170032-5	170342-1
170342-2	170031-1	170031-2	170031-3
170031-5	1-170031-1	1-170031-2	2-170031-1
2-170031-2	4-170031-2	170032-4	

TERMINAL DATA: TE TERMINAL		TE CRIMP SPECIFICATION	
TERMINAL NAME: 250 SERIES RECEPTACLE WITH LATCH			
WIRE STRIP LENGTH		INSULATION DIAMETER RANGE	
5.20-5.90 mm [.205-.232 IN]		∅2.16-3.43 mm [.085-.135 IN]	
TERMINAL APPLICATION SPECIFICATION	△	-	-
TERMINALS APPLIED △5			
TE TERMINAL	TE TERMINAL	TE TERMINAL	TE TERMINAL
170342-1	170342-2		

WIRE SIZE	CRIMP HEIGHT mm [INCH]	CRIMP HEIGHT REFERENCE SETTING △4
2.00mm2	1.45+/-0.05 [.057+/- .002]	3.3
1.25mm2	1.35+/-0.05 [.053+/- .002]	6.3
0.85mm2	1.19+/-0.05 [.047+/- .002]	7.1
△8 0.50mm2	1.12+/-0.05 [.044+/- .002]	8.9

WIRE SIZE	CRIMP HEIGHT mm [INCH]	CRIMP HEIGHT REFERENCE SETTING △4
1.50mm2	1.35+/-0.05 [.053+/- .002]	6.3

***WARNING**
ON INSTALLATION, SET WIRE DISC TO CRIMP HEIGHT REFERENCE SETTING FOR LARGEST WIRE SIZE. CRIMP HEIGHT REFERENCE SETTINGS GREATER THAN THE VALUE SHOWN MAY CAUSE DAMAGE TO THE CRIMP TOOLING. REFER TO THE INSTRUCTION SHEET FOR PROPER SETUP AND ADJUSTMENTS.

- △ RECOMMENDED SPARE PARTS
- △ REFER TO SUPPLIED INSTRUCTION SHEET FOR CLEANING, LUBRICATION AND STORAGE OF APPLICATOR.
- △ APPLY PART NUMBER 2-23419-6 LOCTITE TO THREADS OF ITEM 242. APPLY PART NUMBER 1-23419-5 LOCTITE TO THREADS OF ITEM 50.
- △ CRIMP HEIGHT REFERENCE SETTING WAS THE SETTING USED WHEN THE APPLICATOR WAS QUALIFIED AT THE FACTORY. ADJUSTMENT MAY BE NECESSARY WHEN RUNNING APPLICATOR IN THE FIELD.
- △ TERMINAL LUBRICANT IS RECOMMENDED.
- 6. UNLESS SPECIFIED OTHERWISE TORQUE VALUES SHALL BE USED PER DOCUMENT, 101-35000.
- △ THIS CRIMP PARAMETER IS PROVIDED TO MEET A CUSTOM AND UNIQUE CUSTOMER REQUIREMENT. IT HAS BEEN EVALUATED AND IS CONDITIONALLY SPECIFIED BY TE CONNECTIVITY. THIS CUSTOMIZED CRIMP PARAMETER IS NOT LISTED AS AN APPROVED APPLICATION WITHIN A TE CONNECTIVITY APPLICATION SPECIFICATION; HOWEVER, IT HAS BEEN VALIDATED ACCORDING TO TE CONNECTIVITY SPECIFICATIONS 109-18079 (TEST GROUP 1) AND 114-18022. TE CONNECTIVITY EXPRESSLY DISCLAIMS ANY AND ALL WARRANTIES THAT THE PRODUCT WILL PERFORM SIMILARLY TO VALIDATED AND APPROVED APPLICATIONS, AS STATED WITHIN TE CONNECTIVITY APPLICATION SPECIFICATIONS, INCLUDING BUT NOT LIMITED TO IMPLIED WARRANTIES OF MERCHANTABILITY OR FITNESS FOR PARTICULAR PURPOSE. AS SUCH, IT IS HIGHLY RECOMMENDED THAT THE CUSTOMER PERFORM FURTHER DETAILED EVALUATION TO ASSESS PRODUCT PERFORMANCE IN THE SPECIFIC APPLICATION.
- △ WIRE SIZE 0.50mm2 IS NOT RECOMMENDED BY APPLICATOR PRODUCT ENGINEERING.
- △ FOR CASES THAT IT NEED TO USE WIRES AS DIN 72551-6 OR AVS(INSUL.∅1.6MM-2.7MM)IT IS RECOMMENDED TO USE THE INSULATION CRIMPER OV,PN:2119785-8.

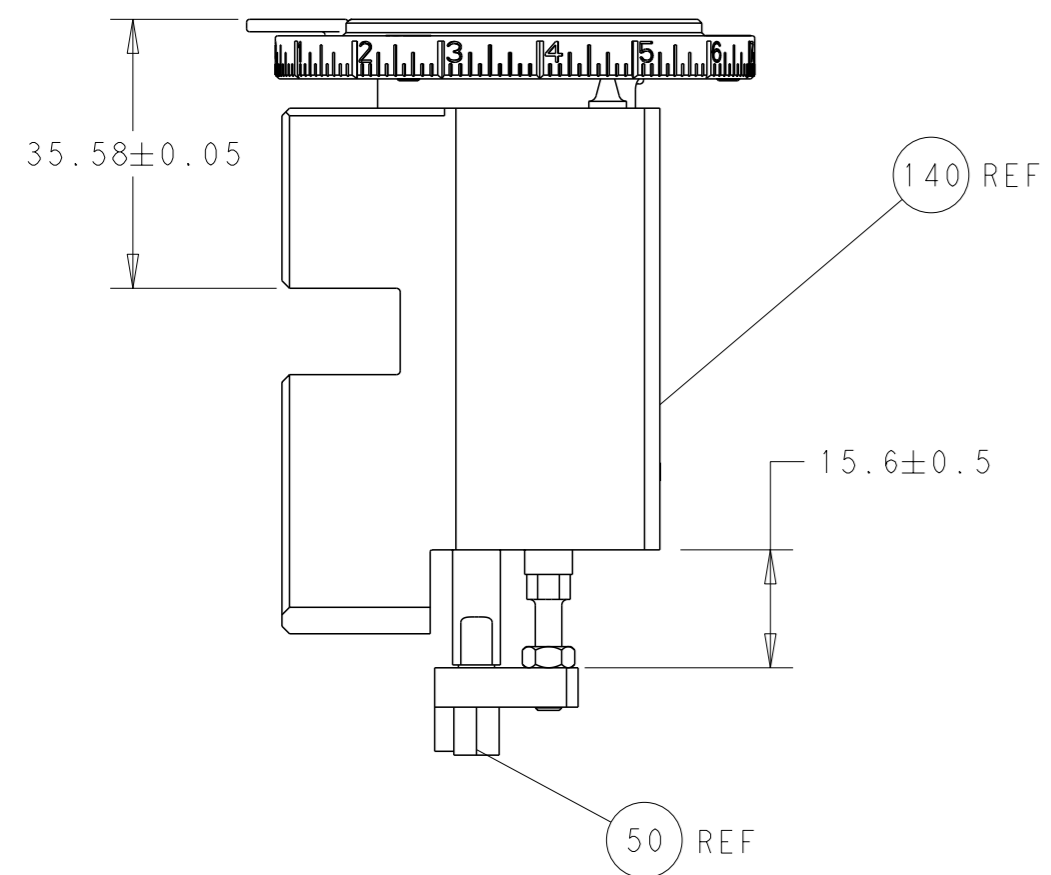
LOC	DIST	REVISIONS					
A	66	P	LYR	DESCRIPTION	DATE	OWN	APVD
-	-	-	-	SEE SHEET 1	-	-	-

△9	1	-	-	-	2119785-8	CRIMPER, INSULATION OVERLAP PREMIUM	253
-	-	1	1		2119082-9	CAM, SNAIL, INSULATION ADJUSTMENT	244
-	-	1	1		2079764-1	WASHER, WAVE SPRING, CREST-TO-CREST	243
△3	-	-	1	1	2119083-1	RETAINER, INSULATION DIAL	242
-	-	-	1	1	2119580-1	MECHANICAL FEED ASSEMBLY	239
-	-	1	-		2844940-3	AIR FEED MODULE	238
-	-	1	1		1-18028-0	WASHER, FLAT, REG M8	192
-	-	4	4		2079383-9	SCR, BHSC, RoHS (M6 X 20)	186
-	-	1	1		6-993111-6	PIN, SLOTTED SPRING 3.0 X 14.0	177
-	-	1	1		8-22280-7	SPRING, COMPRESSION	176
-	-	1	1		1752353-2	GUIDE PIN,HOLDDOWN	175
-	-	1	1		1901680-2	GUIDE PIN,HOLDDOWN	174
-	-	REF	REF		994970-2	COUNTER, MAGNETIC	164
-	-	1	1		2119641-2	FEED CAM, AIR FEED	152
-	-	1	1		2168083-8	SCR, SKT HD CAP, RoHS, M4 X 16	144
-	-	-	1		2119653-2	FEED CAM, POST FEED	142
-	-	1	1		2119655-6	APPLICATOR BASIC ASSEMBLY, EF	141
-	-	1	1		1803518-1	RAM ASSEMBLY, EF PACIFIC	140
△5	-	-	1	1	2119955-2	ASSY, LUBRICATOR, END FEED	84
-	-	1	1		455888-4	SPACER, CRIMPER	82
-	-	1	1		1803607-4	DOCUMENTATION PACKAGE	71
-	-	2	2		2-18032-2	SCR, SET, FLT PNT, M3 X 10.0	70
-	-	1	1		2119740-1	TAG, IDENTIFICATION	67
-	-	2	2		2168078-1	SCREW, DRIVE, RH, RoHS, 2 x .188	66
-	-	1	1		1901681-1	HOLDDOWN, TERMINAL	65
-	-	2	2		5-18022-5	SCR, HEX HD CAP, M4 X 6.0	59
-	-	4	4		2168400-4	SHCS, LOW HEAD, RoHS, M4 X 8	57
-	-	2	2		2168083-3	SCR, SKT HD CAP, RoHS, M4 X 12.0	56
-	-	2	2		5018030-1	NUT, HEX, REG, RoHS, M3	54
-	-	2	2		986965-8	NUT, LOCK, HEX, TORQUE (M4)	53
-	-	1	1		1-5018030-0	NUT, HEX, REG, RoHS, M3.5	52
-	-	1	1		2063961-1	FEED FINGER	51
△3	-	-	1	1	1-1752354-0	STANDOFF,HOLD-DOWN	50
-	-	1	2		18023-9	SCR, SKT HD CAP M4 X 6.0	49
-	-	-	1		2119652-1	FEED CAM, PRE FEED	48
-	-	1	1		1803602-1	SCR, BHSC, RoHS (M8 X 25)	41
-	-	8	8		1-18028-2	WASHER, FLAT, REG M4	33
-	-	2	2		2168083-9	SCR, SKT HD CAP, RoHS, M4 X 20	31
-	-	2	2		2168083-2	SCR, SKT HD CAP, RoHS, M4 X 8.0	29
-	-	1	1		240639-1	STRIPPER (MACHINING)	27
-	-	2	2		1-2168083-5	SCR, SKT HD CAP, RoHS, M4 X 30	25
-	-	1	1		1752371-3	PLATE, STRIP GUIDE	24
-	-	2	2		2-22281-3	SPRING, COMPRESSION	22
-	-	1	1		1803292-1	DRAG	20
-	-	2	2		1901259-5	GUIDE, LOWER STRIP	18
-	-	1	1		3-240641-9	SPACER	16
-	-	1	1		1752360-1	SPACER,HOLD-DOWN	13
△1	-	-	1	1	240833-2	PLATE, REAR SHEAR	11
-	-	-	-		-	-	10
△	-	-	1	1	690482-3	PLATE, FRONT SHEAR	9
△	-	1	1		1333219-2	ANVIL, COMBINATION	8
△	-	-	1	1	1-2217206-3	BLADE, SLUG	7
-	-	1	1		1-240641-2	SPACER	5
-	-	1	1		238011-2	BLOCK, CRIMPER SPACER	4
△1	-	1	1		2119582-3	CRIMPER, INSULATION F PREMIUM	3
-	-	1	1		455888-8	SPACER, CRIMPER	2
△1	-	1	1		2-456408-9	CRIMPER, WIRE PREMIUM	1

PACIFIC VERSION
Shown on sheets 3 of 4 & 4 of 4
(Atlantic version shown on sheets 1 of 4 & 2 of 4)

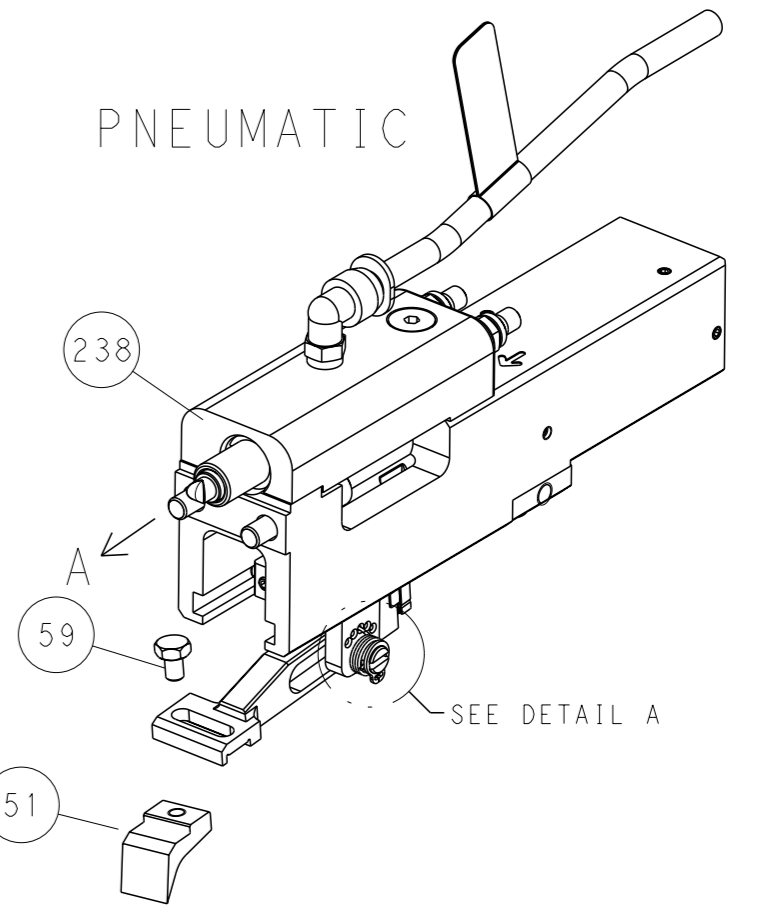
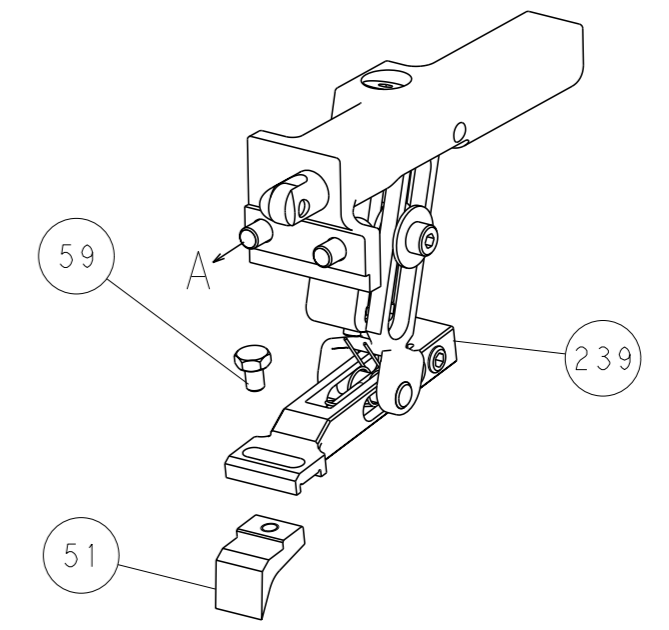
DIMENSIONS:		TOLERANCES UNLESS OTHERWISE SPECIFIED:		APPROVED		NAME	
mm	0 PLC ±	1 PLC ±	2 PLC ±	3 PLC ±	4 PLC ±	APVD	NAME
	ANGLES FINISH						
MATERIAL		WEIGHT		SIZE	CAGE CODE	DRAWING NO	RESTRICTED TO
				A1	00779	©=2150034	
Customer Accessible Production Drawing				SCALE	1:1	SHEET	3 of 4
				REV	G		

LOC		DIST		REVISIONS			
A	66	P	LYR	DESCRIPTION	DATE	OWN	APVD
		-		SEE SHEET 1	-	-	-

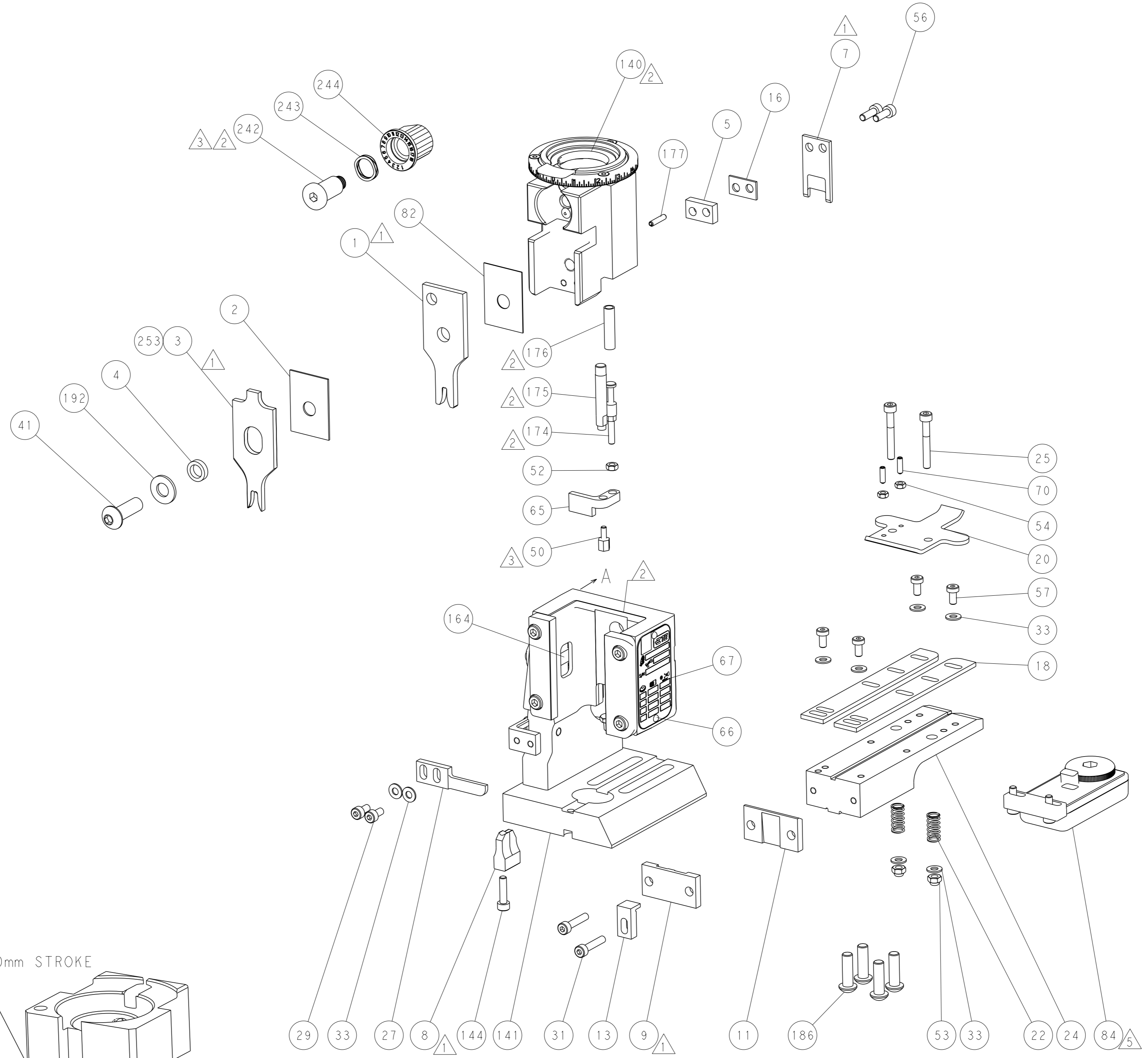
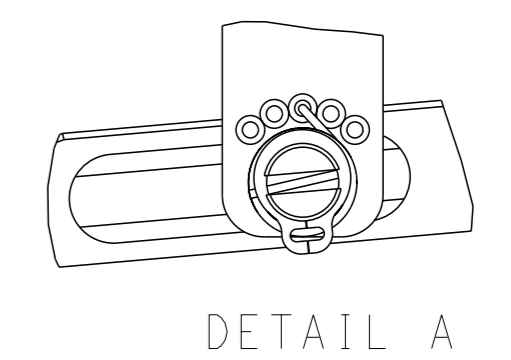


RAM AND HOLDDOWN SET-UP

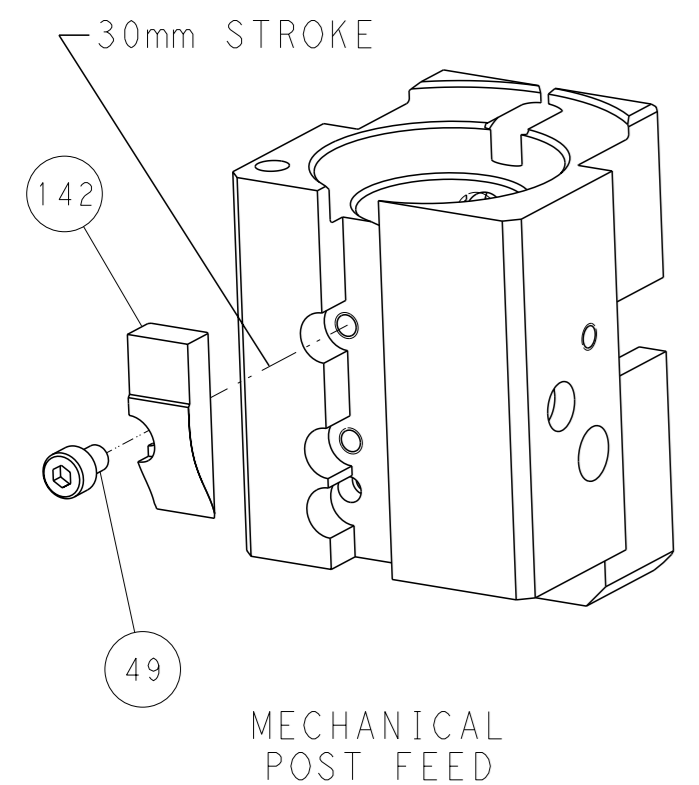
FEED TYPE
MECHANICAL



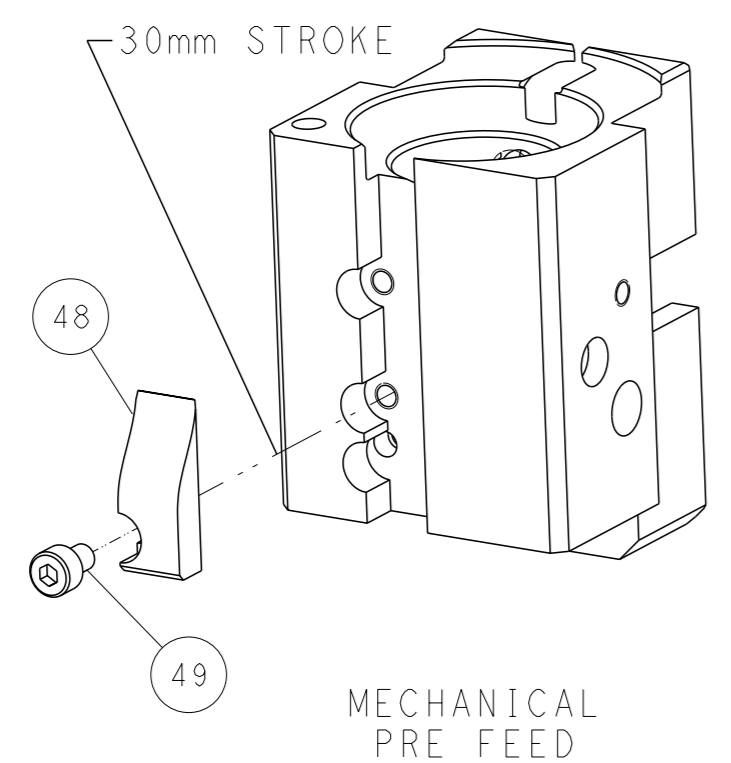
FEED SPRING
SETTING POSITION



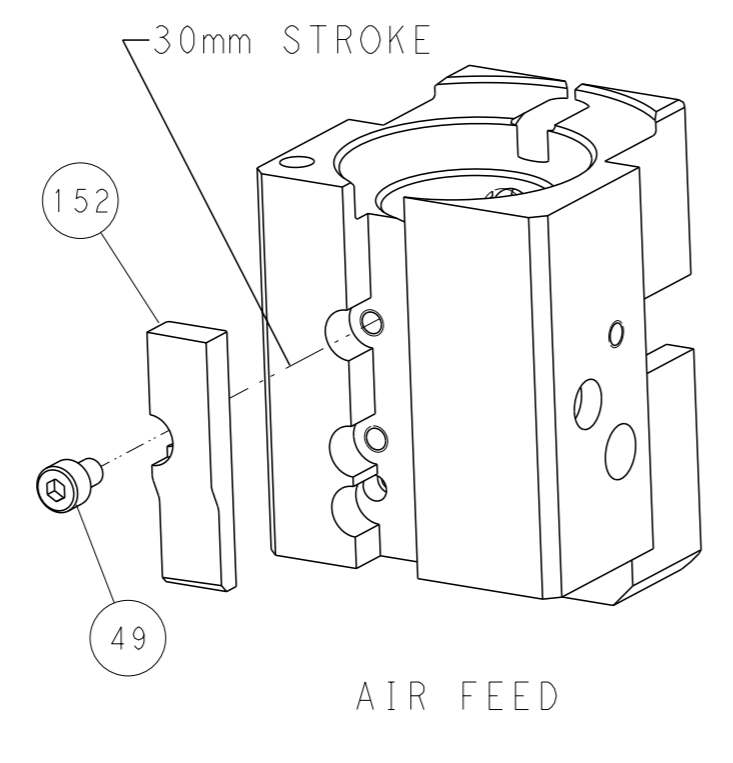
CAM POSITIONS



MECHANICAL POST FEED



MECHANICAL PRE FEED



AIR FEED

PACIFIC VERSION
 Shown on sheets 3 of 4 & 4 of 4
 (Atlantic version shown on sheets 1 of 4 & 2 of 4)

DIMENSIONS:		TOLERANCES UNLESS OTHERWISE SPECIFIED:		OWN		C. CHEN		09 JAN 2012		STE		TE Connectivity	
mm		0 PLC ±		CHK		S. XI		09 JAN 2012		Harrisburg, PA 17105-3608			
MATERIAL		1 PLC ±		APVD		J. CRUZ		09 JAN 2012		NAME		Ocean End Feed	
		2 PLC ±		PRODUCT SPEC						SIZE		CAGE CODE DRAWING NO	
		3 PLC ±		APPLICATION SPEC						RESTRICTED TO			
		4 PLC ±		WEIGHT						SCALE		1:1 SHEET 4 OF 4 REV G	
		FINISH		Customer Accessible Production Drawing									