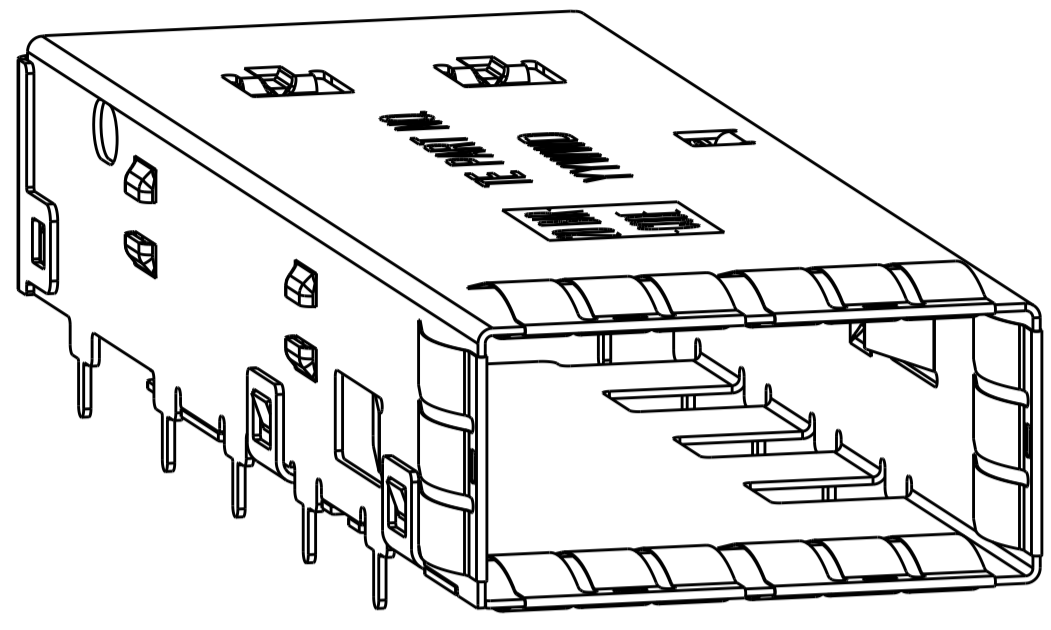
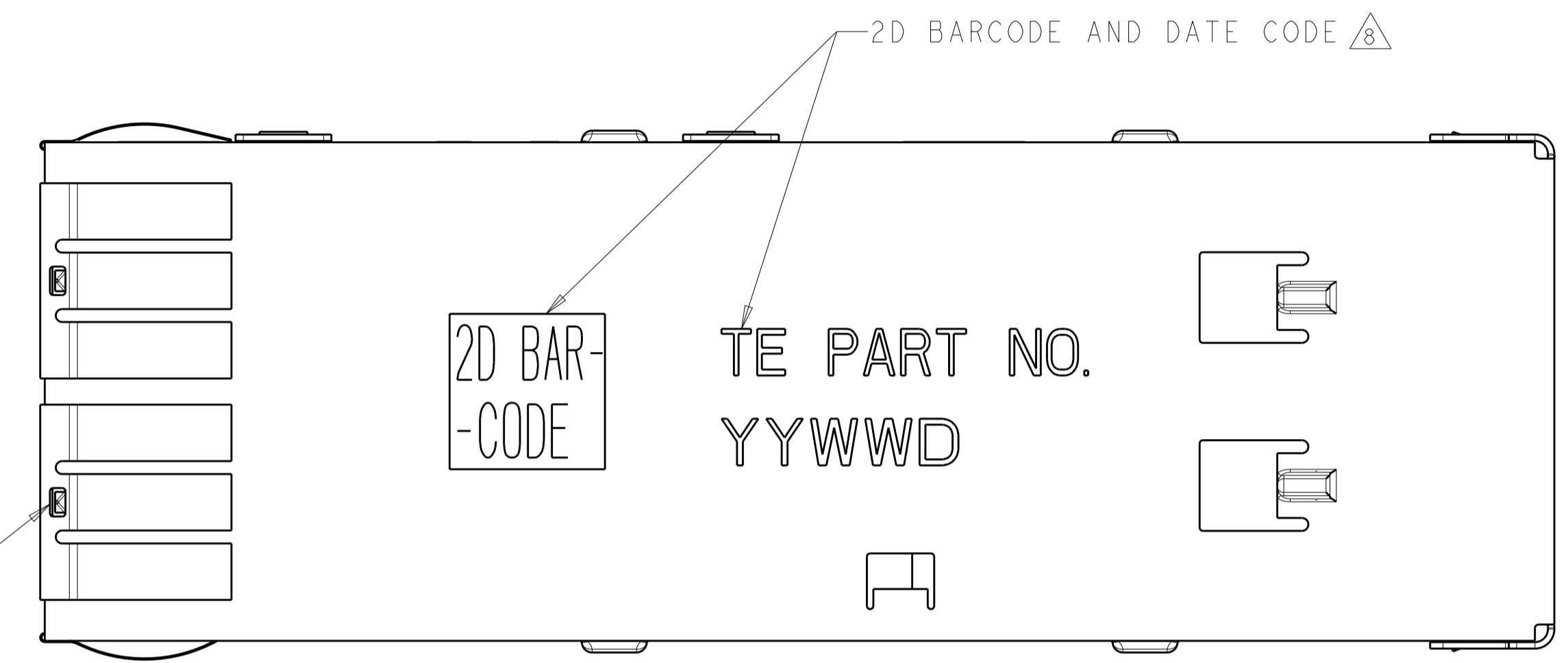


LOC	DIST	REVISIONS					
GP	00	P	LTN	DESCRIPTION	DATE	DWN	APVD
		3		REVISED	29OCT2009	CR	JP
		4		REVISED	08DEC2010	CJV	EJB
		5		REVISE PER ECO-14-016878	5MAR2015	RG	MC

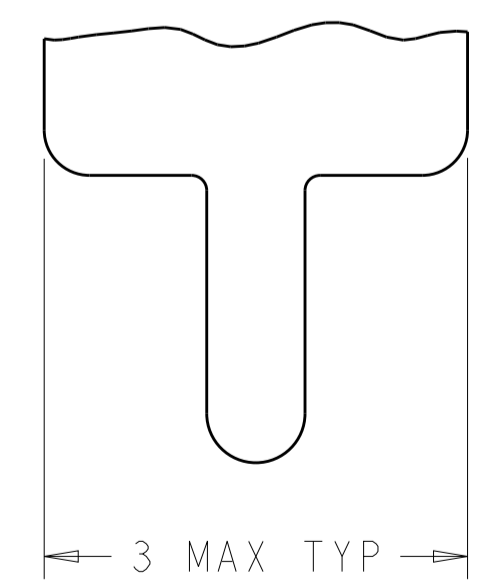
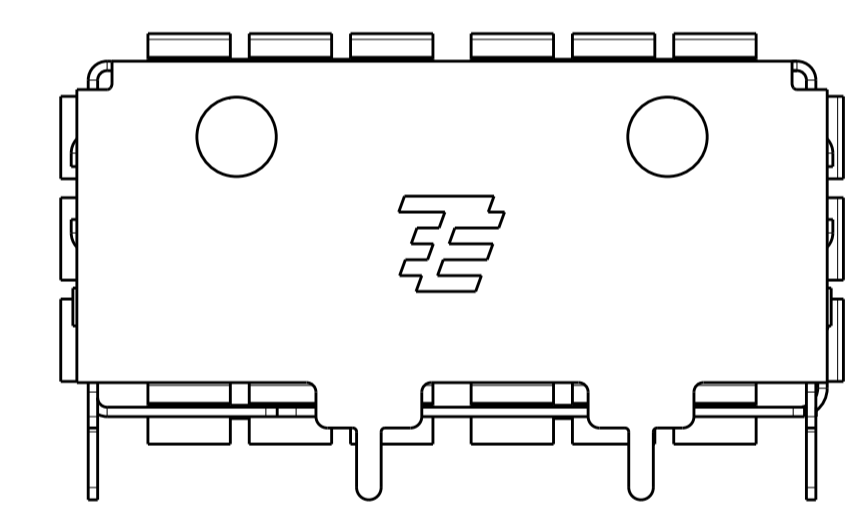
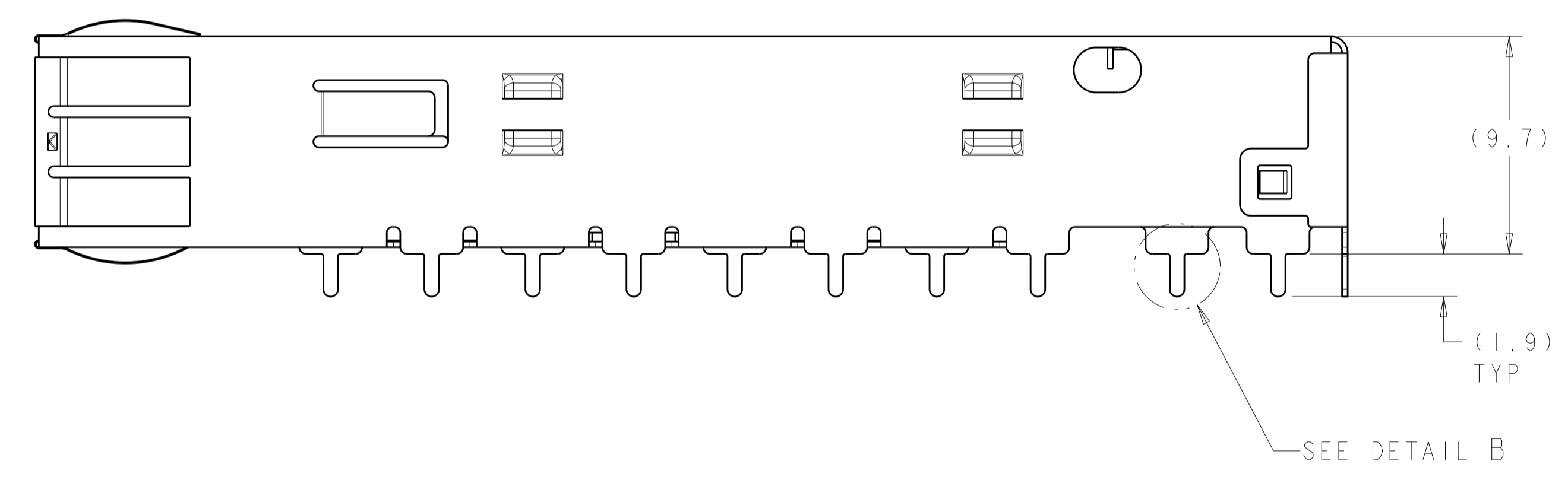
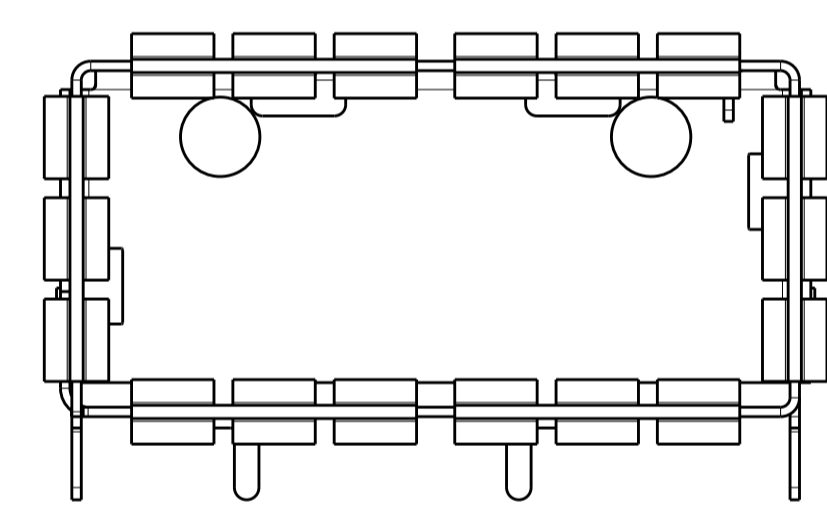


ISOMETRIC VIEW
SCALE 4:1

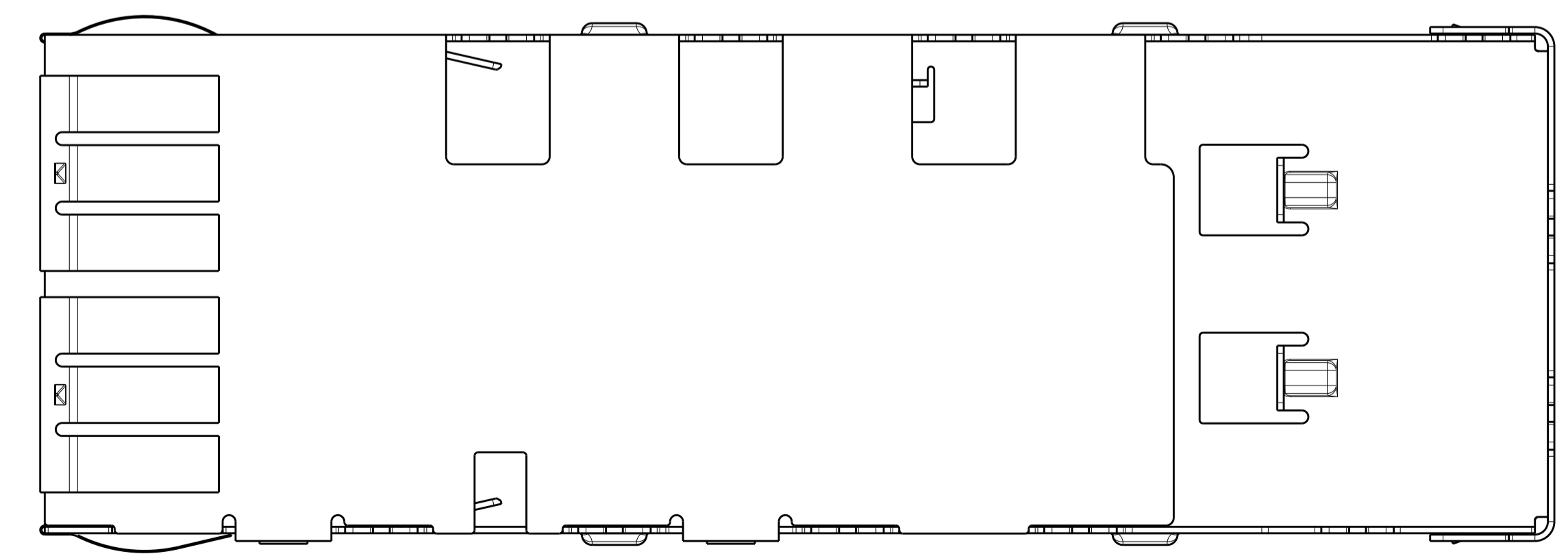
Sn42Bi58 SOLDER
6 PLACES



- △ MATERIAL:
CAGE - 0.25 THICK NICKEL SILVER
SPRINGS - COPPER ALLOY
- △ MINIMUM PITCH DIMENSION.
- 3. MATES WITH QSFP MSA COMPATIBLE TRANSCEIVER.
- △ DATUM AND BASIC DIMENSIONS ESTABLISHED BY CUSTOMERS.
- 5. MINIMUM PC BOARD THICKNESS:
SINGLE SIDED: 1.45mm
DOUBLE SIDED: 2.2mm
- △ DATUM -A- IS TOP SURFACE OF THE HOST BOARD.
- △ SURFACE TRACES PERMITTED WITHIN THIS AREA EXCEPT WHERE CAGE STANDOFFS, SHOWN IN DETAIL J, CONTACT PC BOARD.
- △ 2D BARCODE AND DATE CODE (YYWW) MARKED APPROXIMATELY AS SHOWN.
- △ FINISH:
SPRINGS - 0.8µm MIN TIN OVER 0.8µm MIN NICKEL,
NON-PLATED EDGES PERMISSIBLE.
- 10. PRODUCT HAS NOT COMPLETED QUALIFICATION TESTING.



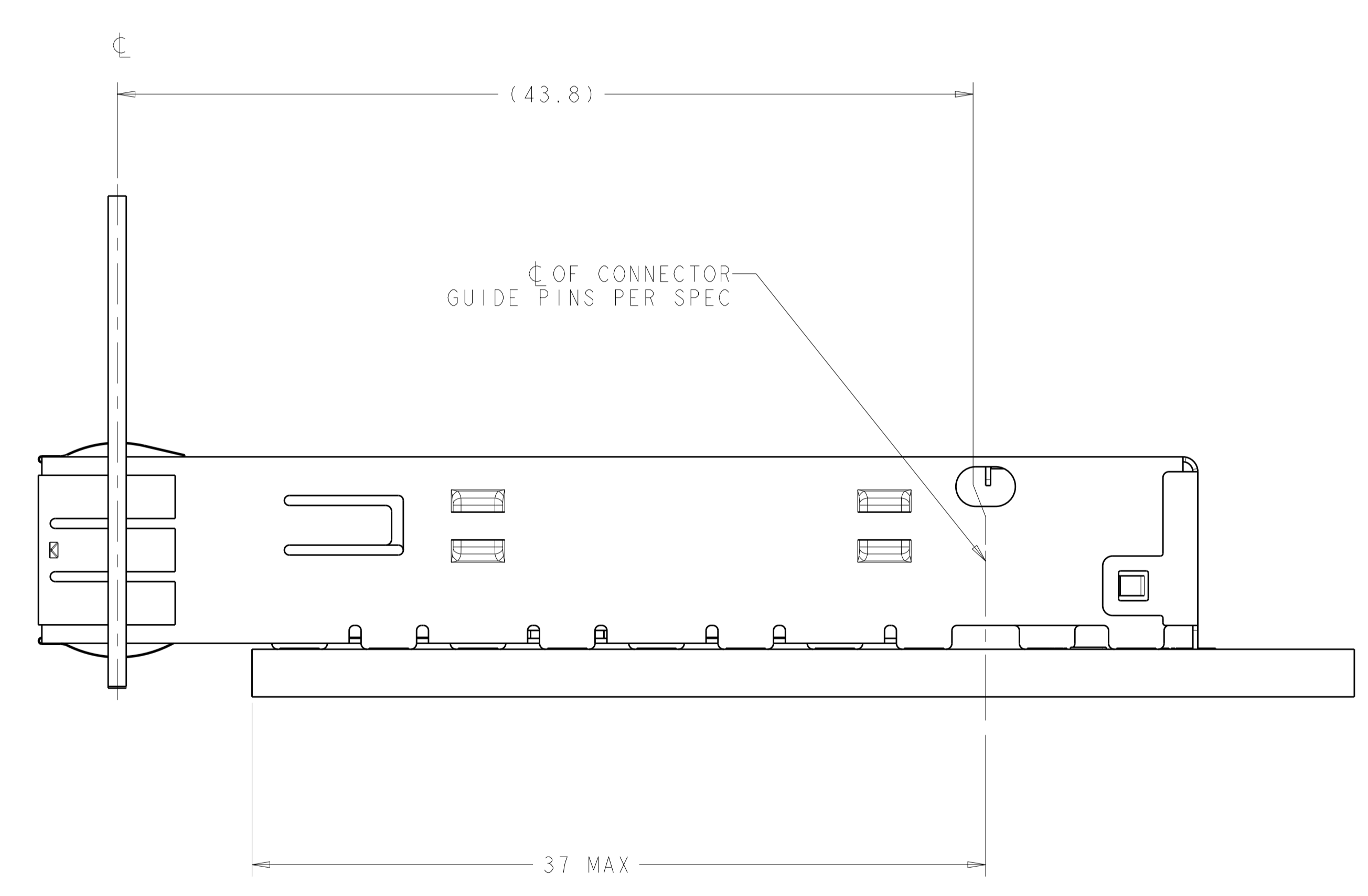
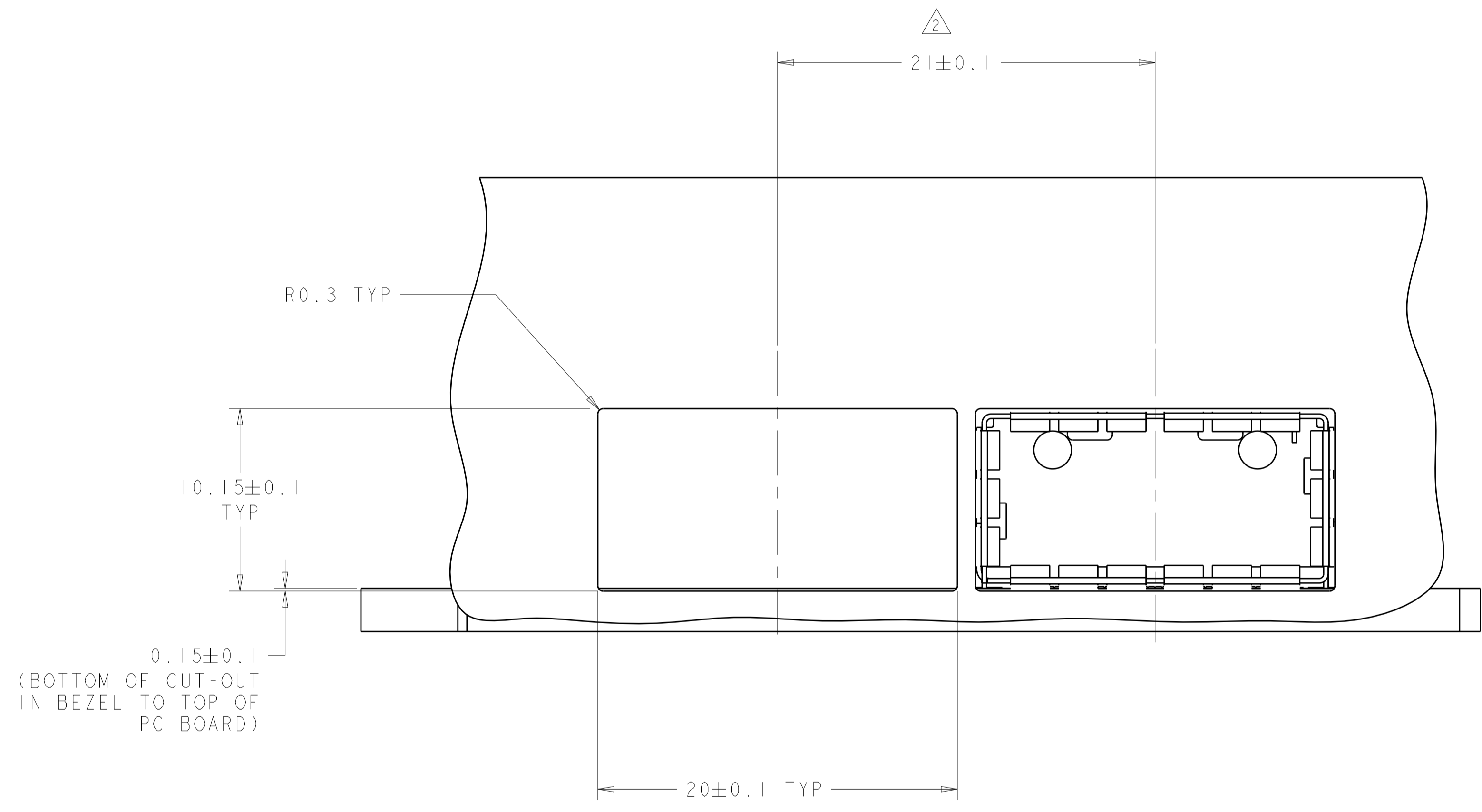
DETAIL B
SCALE 20:1



2110487-1
PART NUMBER

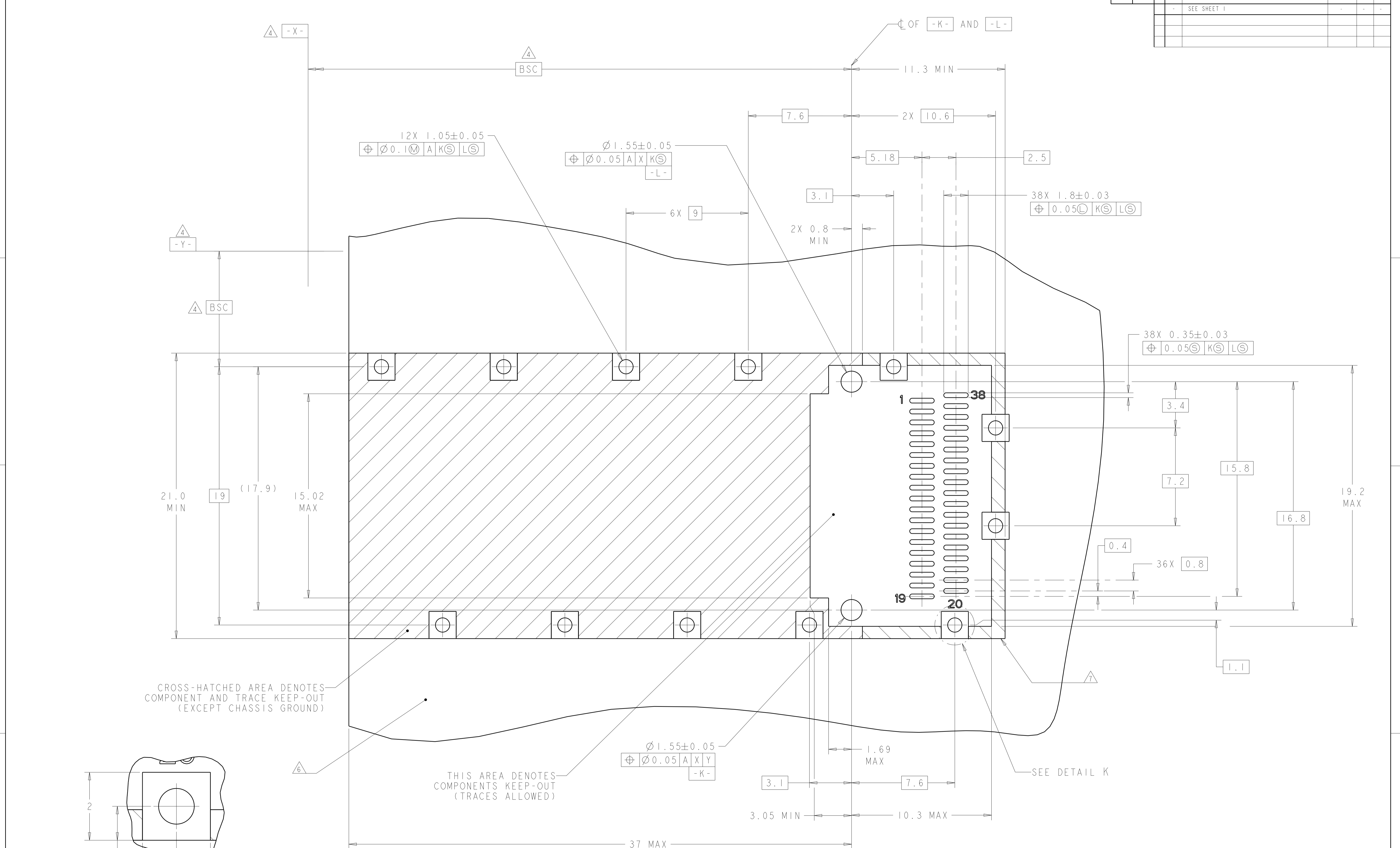
<small>THE DRAWING IS CONTROLLED THROUGHOUT THE ENTIRE PRODUCT LIFECYCLE. ANY CHANGES TO THIS DRAWING MUST BE APPROVED BY THE ORIGINAL DESIGNER AND THE QUALITY ASSURANCE DEPARTMENT. ANY CHANGES TO THIS DRAWING MUST BE APPROVED BY THE ORIGINAL DESIGNER AND THE QUALITY ASSURANCE DEPARTMENT.</small>		DWN: Z.M.BEAM 22SEP2009 CHK: J.R.PETERSON 22SEP2009 APVD: B.H.WERTZ 22SEP2009	Tyco Electronics Harrisburg, PA 17105-3608
DIMENSIONS: mm 	TOLERANCES UNLESS OTHERWISE SPECIFIED: 0 PLC ±0.1 1 PLC ±0.1 2 PLC ±0.1 3 PLC ±0.1 4 PLC ±0.1 ANGLES ±°	NAME: OSFP PRODUCT SPEC: 108-2286 APPLICATION SPEC: 114-13217 WEIGHT: -	SIZE: A100779 CAGE CODE: C=2110487 DRAWING NO: 2110487-1
MATERIAL: △1	FINISH: △9	CUSTOMER DRAWING SCALE: 5:1 SHEET 1 OF 5 REV 5	

LOC	DIST	REVISIONS					
GP	00	P	LTN	DESCRIPTION	DATE	DWN	APVD
-	-	-	-	SEE SHEET 1	-	-	-



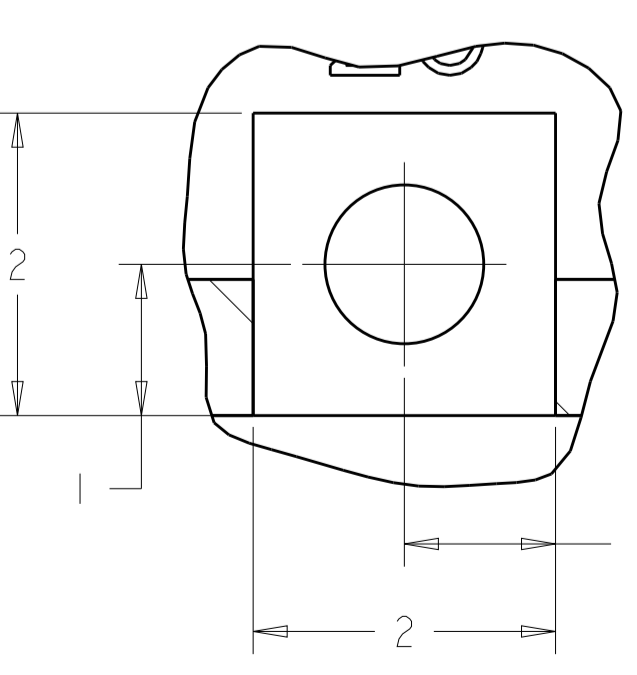
<small>THIS DRAWING IS UNPUBLISHED. RELEASED FOR PUBLICATION BY TYCO ELECTRONICS CORPORATION. ALL RIGHTS RESERVED.</small>		DWN: Z.M. BEAM 22SEP2009 CHK: J.R. PETERSON 22SEP2009 APVD: B.H. WERTZ 22SEP2009	Tyco Electronics Harrisburg, PA 17105-3608
DIMENSIONS: mm 	TOLERANCES UNLESS OTHERWISE SPECIFIED: 0 PLC ±0.1 1 PLC ±0.1 2 PLC ±0.1 3 PLC ±0.1 4 PLC ±0.1 ANGLES ±° FINISH -	NAME: QSFP IXI CAGE ASSEMBLY SOLDER, THRU BEZEL PRODUCT SPEC: 108-2286 APPLICATION SPEC: 114-13217 WEIGHT: - CUSTOMER DRAWING	SIZE: A CAGE CODE: 00779 DRAWING NO: C=2110487 RESTRICTED TO: - SCALE: 5:1 SHEET: 2 OF 5 REV: 5

LOC	DIST	REV	DATE	BY	APPV
GP	00				
REVISIONS					
		SEE SHEET 1			



CROSS-HATCHED AREA DENOTES COMPONENT AND TRACE KEEP-OUT (EXCEPT CHASSIS GROUND)

THIS AREA DENOTES COMPONENTS KEEP-OUT (TRACES ALLOWED)

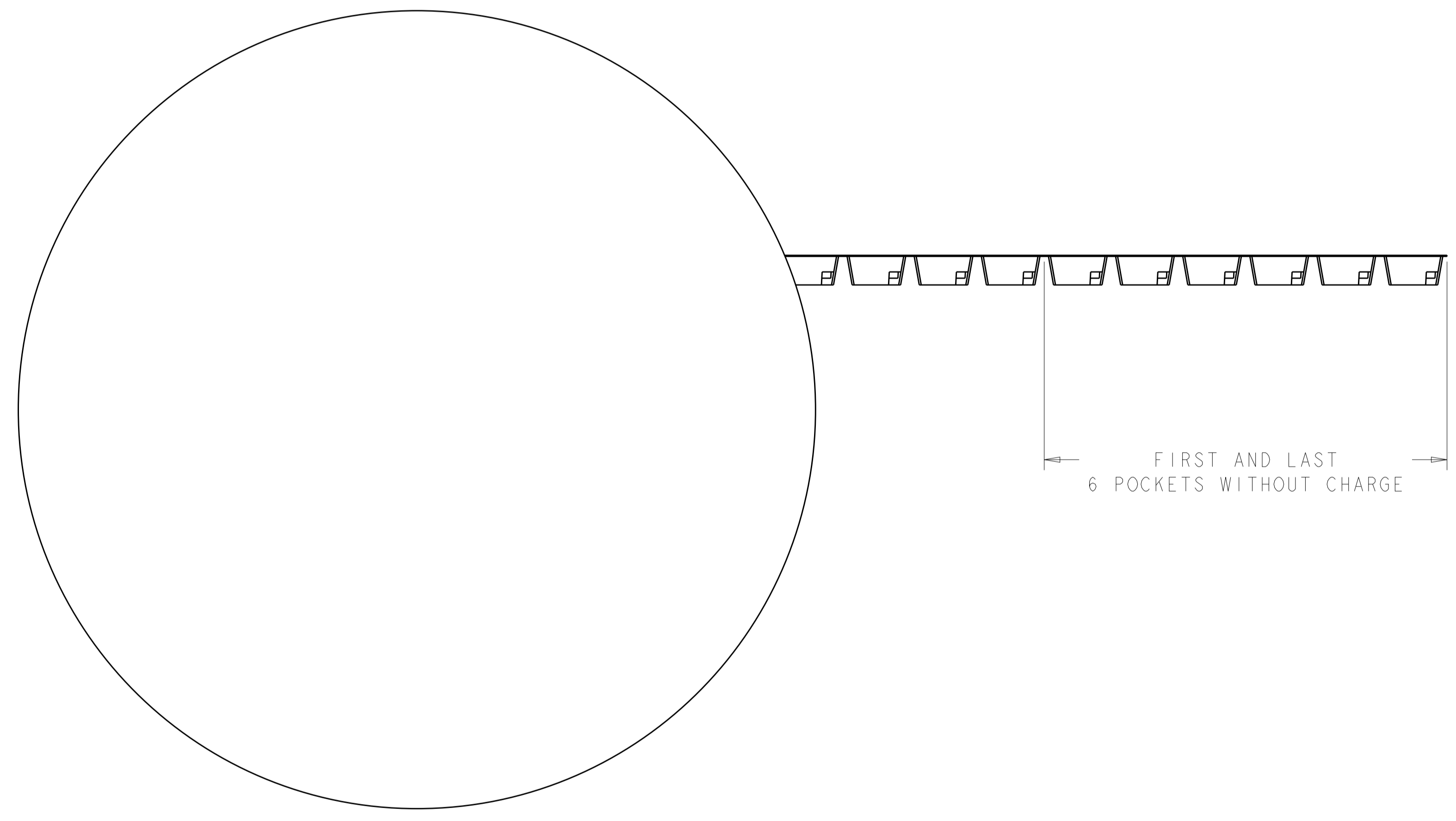
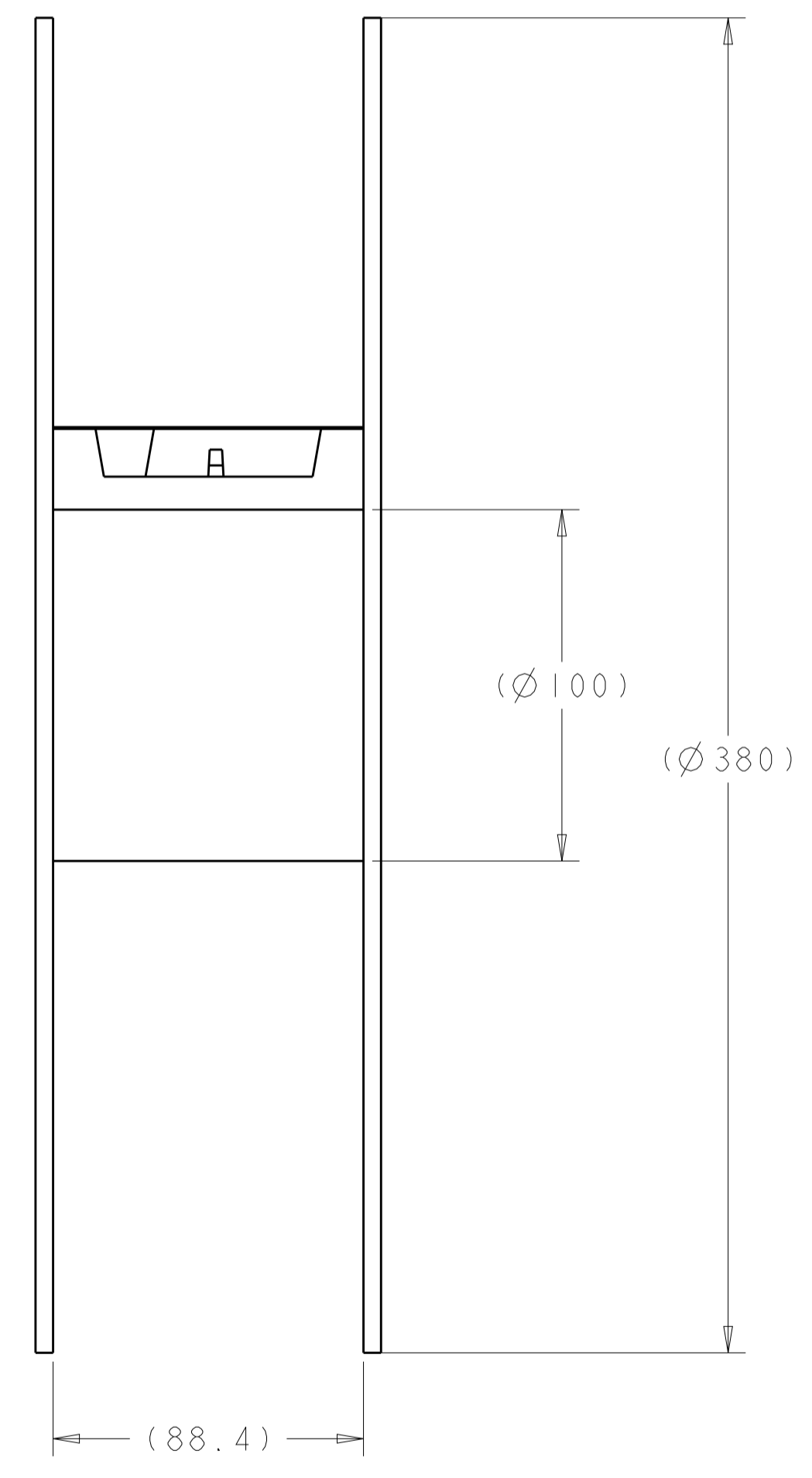
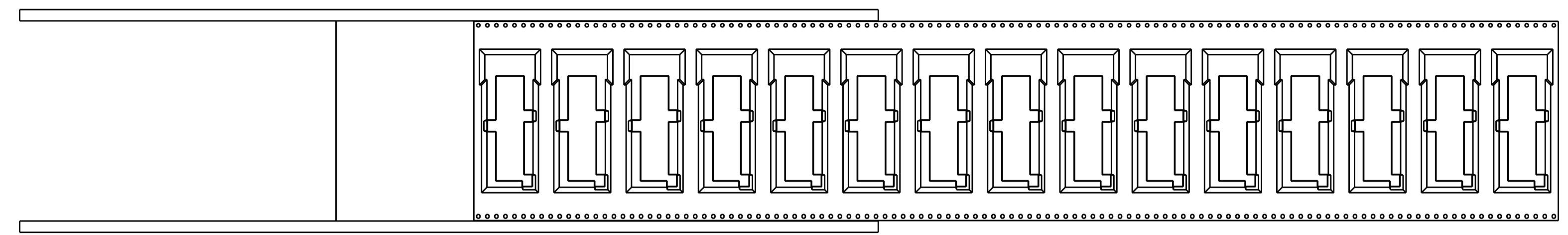


DETAIL K
SCALE 20:1

RECOMMENDED PC BOARD LAYOUT
SCALE 8:1

<small>THIS DRAWING IS UNPUBLISHED. RELEASED FOR PUBLICATION BY TYCO ELECTRONICS CORPORATION. ALL RIGHTS RESERVED.</small>		DWN: Z.M.BEAM 22SEP2009 CHK: J.R.PETERSON 22SEP2009 APVD: B.H.WERTZ 22SEP2009	Tyco Electronics Harrisburg, PA 17105-3608
DIMENSIONS: mm 	TOLERANCES UNLESS OTHERWISE SPECIFIED: 0 PLC ±0.1 1 PLC ±0.1 2 PLC ±0.1 3 PLC ±0.1 4 PLC ±0.1 ANGLES ±°	NAME: QSF1 PRODUCT SPEC: 108-2286 APPLICATION SPEC: 114-13217 WEIGHT: - CUSTOMER DRAWING	Tyco Electronics Harrisburg, PA 17105-3608 QSF1 I/O CAGE ASSEMBLY SOLDER, THRU BEZEL SIZE: A 00779 C=2110487 SCALE: 5:1 SHEET 3 OF 5 REV 5

LOC	DIST	REVISIONS			
P	LTN	DESCRIPTION	DATE	DMN	APVD
GP	00	SEE SHEET 1	-	-	-

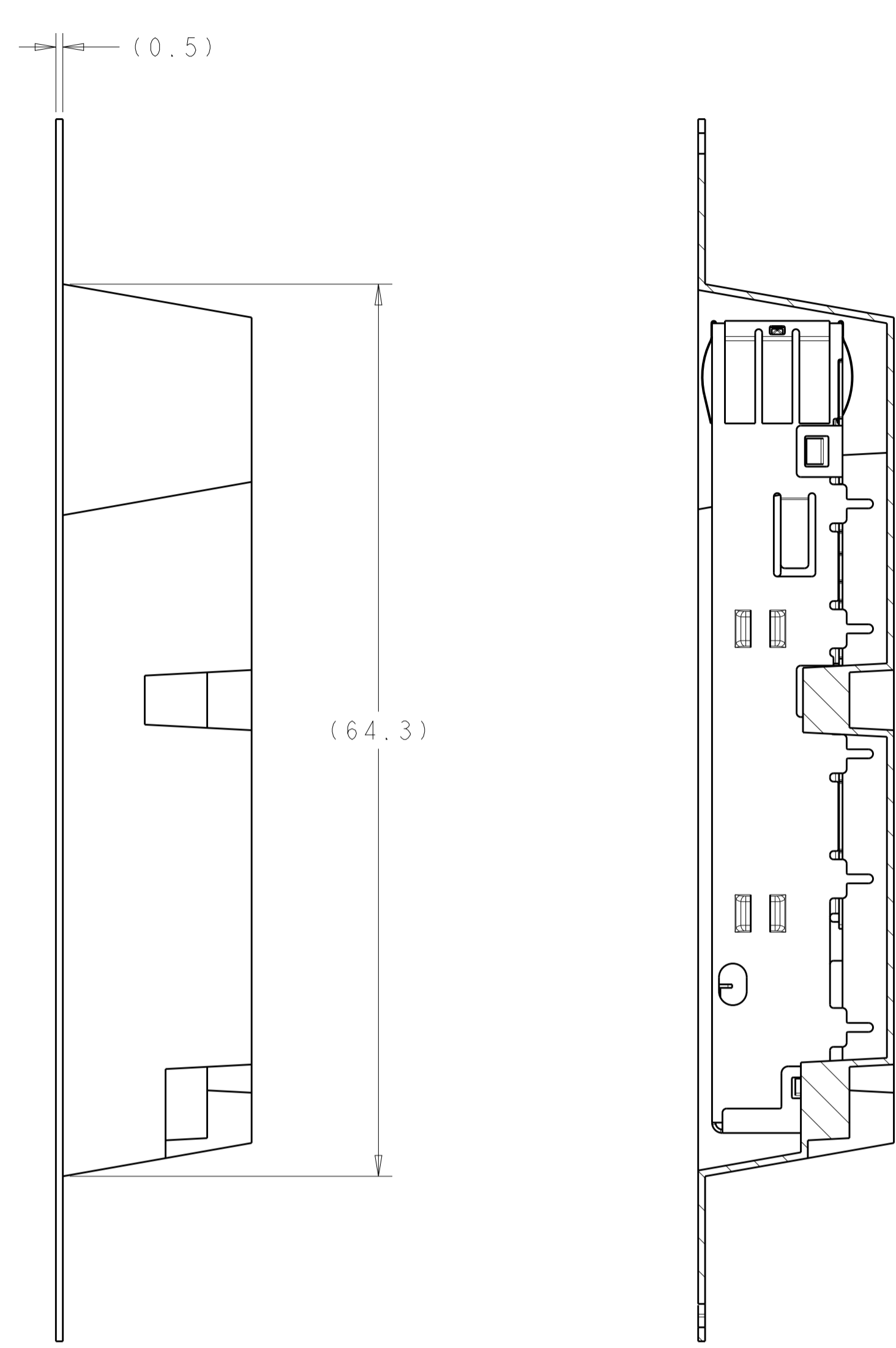
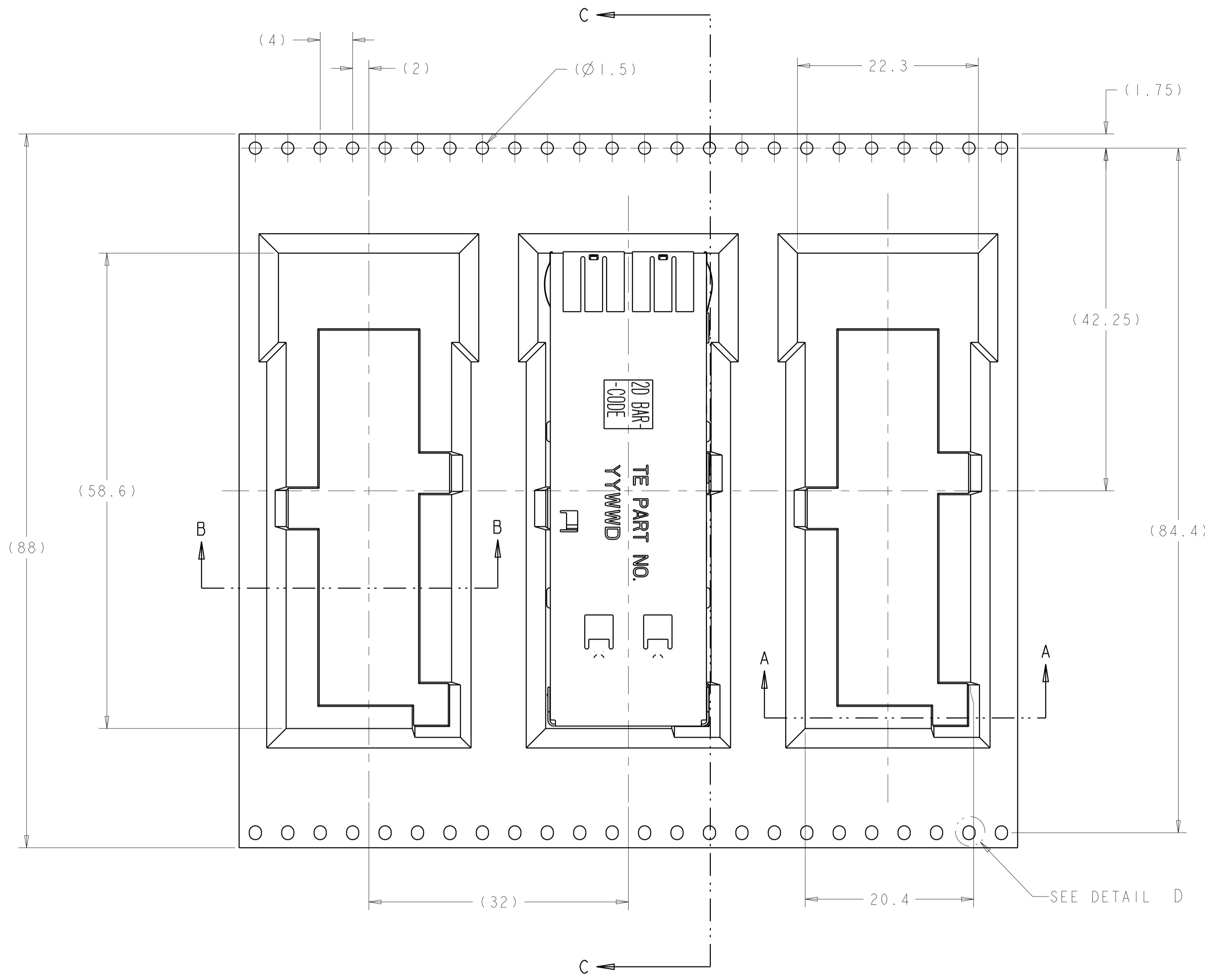


FIRST AND LAST
6 POCKETS WITHOUT CHARGE

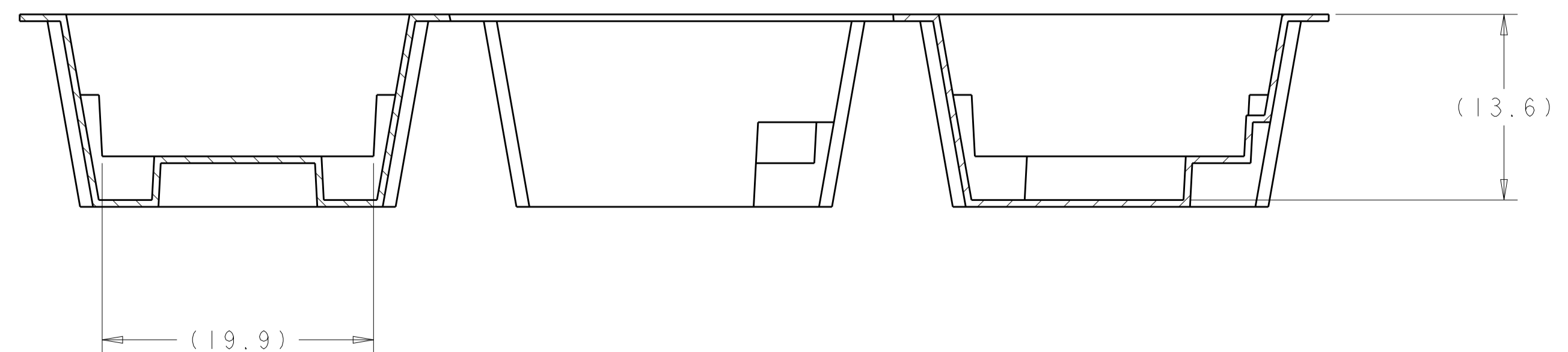
REEL PACKAGING
180 PCS PER REEL
SCALE APPROXIMATE
SCALE 3:5

<small>THIS DRAWING IS UNPUBLISHED. IT IS THE PROPERTY OF TYCO ELECTRONICS CORPORATION. IT IS TO BE USED FOR THE PURPOSES AND IN THE MANNER SPECIFIED BY THE CUSTOMER. IT IS TO BE RETURNED TO TYCO ELECTRONICS CORPORATION UPON THE COMPLETION OF THE PROJECT OR AS OTHERWISE SPECIFIED.</small>		DWN: Z.M. BEAM 22SEP2009 CHK: J.R. PETERSON 22SEP2009 APVD: B.H. WERTZ 22SEP2009	Tyco Electronics Harrisburg, PA 17105-3608
DIMENSIONS: mm 	TOLERANCES UNLESS OTHERWISE SPECIFIED: 0 PLC ±0.1 1 PLC ±0.1 2 PLC ±0.1 3 PLC ± 4 PLC ± ANGLES ± FINISH	NAME: OSFP PRODUCT SPEC: 108-2286 APPLICATION SPEC: 114-13217 WEIGHT:	SIZE: A CAGE CODE: 00779 DRAWING NO: C=2110487 RESTRICTED TO:
MATERIAL: -	FINISH: -	WEIGHT: -	SCALE: 5:1 SHEET 4 OF 5 REV 5
CUSTOMER DRAWING			

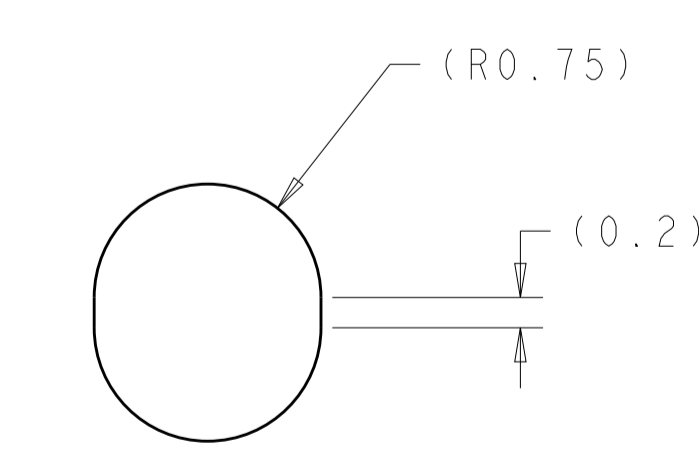
LOC	DIST	REVISIONS					
GP	00	P	LTN	DESCRIPTION	DATE	DWN	APVD
		-		SEE SHEET 1			



SECTION C-C



PACKAGING TAPE LAYOUT
SCALE APPROXIMATE



DETAIL D
SCALE 20:1

THIS PRINT IS
PRELIMINARY
 UNQUALIFIED PRODUCT
 CONTACT PRODUCT ENGINEERING
 BEFORE USING THIS PRINT

<small>THIS DRAWING IS UNPUBLISHED. RELEASED FOR PUBLICATION BY TYCO ELECTRONICS CORPORATION. ALL RIGHTS RESERVED.</small>		DWN: Z.M. REAM 22SEP2009 CHK: J.R. PETERSON 22SEP2009 APVD: B.H. WERTZ 22SEP2009	Tyco Electronics Harrisburg, PA 17105-3608
DIMENSIONS: mm 	TOLERANCES UNLESS OTHERWISE SPECIFIED: 0 PLC ±0.1 1 PLC ±0.1 2 PLC ±0.1 3 PLC ±0.1 4 PLC ±0.1 ANGLES ±° FINISH	NAME: QSFP PRODUCT SPEC: 108-2286 APPLICATION SPEC: 114-13217 WEIGHT: - CUSTOMER DRAWING	SIZE: A CAGE CODE: 00779 DRAWING NO: C=2110487 RESTRICTED TO: - SCALE: 5:1 SHEET 5 OF 5 REV 5