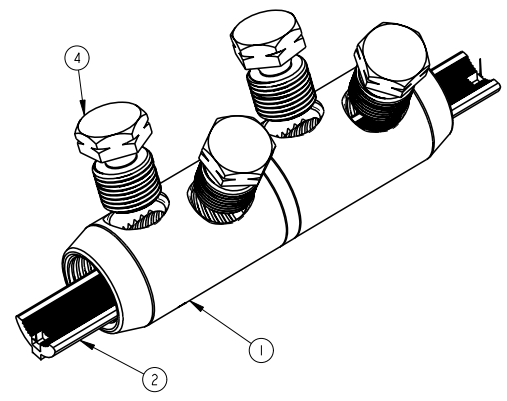
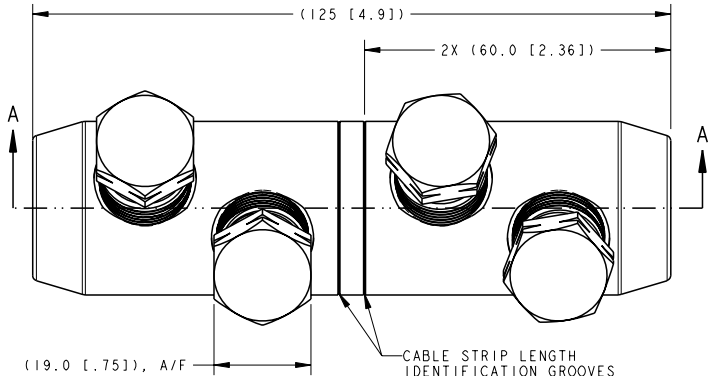
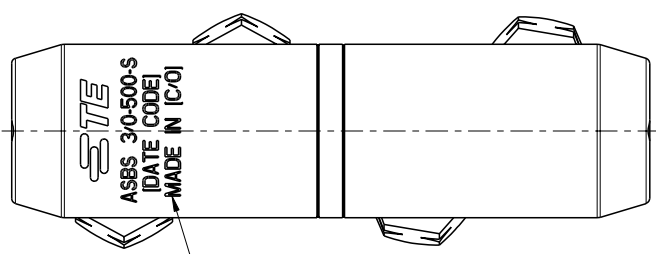
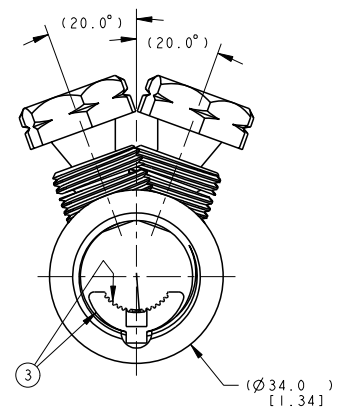
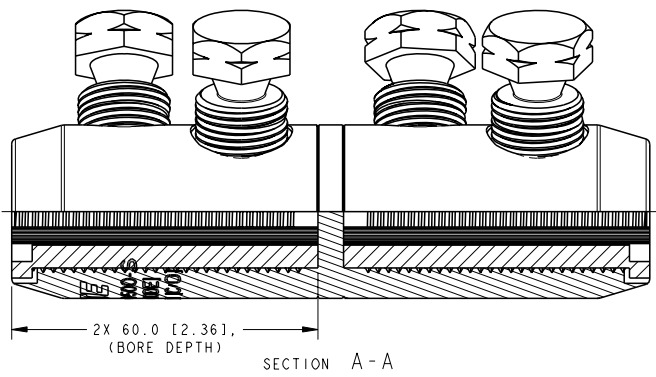


LOC	DIST	REVISIONS			
P	LTR	DESCRIPTION	DATE	DWN	APVD
A		INITIAL REL. PER LC20-0006-11	07JAN2011	DM	BJ
B		LC20-0059-11 / ECO-11-008039	14APR2011	DM	BJ
C		LC20-0075-11 / ECO-11-010337	16MAY2011	DM	BJ
D		LC20-0115-11 / ECO-11-017362	24AUG2011	DM	BJ



- ACCOMMODATES:
 3/0 AWG COMPACT (Ø10.74 [0.423 DIA])
 TO
 500 KCMIL STD STR (Ø20.65 [0.813 DIA])
 ALUMINUM OR COPPER CONDUCTORS.
- MARKING:
STE
 ASBS 3/0-500-S
 [DATE CODE]
 MADE IN [COUNTRY OF ORIGIN]
- INSERT SHALL BE REMOVED FOR CONDUCTOR SIZES GREATER THAN 300 KCMIL STD STR, (Ø16 [0.630 DIA])
- CONNECTOR CONTAINS FACTORY APPLIED ANTI-OXIDE INHIBITOR.
- INSTALL BOLTS WITH "3/4 INCH" HEX SOCKET.



CU2713-000	ASBS 3/0-500-S	1974130-1
RPN	CATALOG NO.	PART NO.

QTY	DESCRIPTION	ITEM NO
1	INSTALLATION INSTRUCTION SHEET, 408-10429	6
1	ABRASIVE TAPE	5
4	SHEAR BOLT, ALUMINUM, M18, 19 mm A/F	4
A/R	CONTACT GREASE	3
2	INSERT, ALUMINUM, 3/0 AWG TO 500 KCMIL	2
1	CONNECTOR SLEEVE BODY, ALUMINUM, 3/0 AWG TO 500 KCMIL	1
-1	DESCRIPTION	
PARTS LIST		

THIS DRAWING IS A CONTROLLED DOCUMENT.

DWN D. MURUGIAH	07 JAN 2011	TE Connectivity
CHK A. BULLZA	28 FEB 2011	
APVD B. JOHNSON	02 MAR 2011	
PRODUCT SPEC		
APPLICATION SPEC		NAME SHEARBOLT CONNECTOR, ALUMINUM, 3/0 AWG COMPACT TO 500 KCMIL STD STR CONDUCTORS
MATERIAL SEE TABLE	TIN PLATE	SIZE A200779
		CAGE CODE 1974130
		DRAWING NO 1974130
		RESTRICTED TO
		SCALE NTS
		SHEET 1 OF 1
		REV D