



Product Change Notification

Date Issued :	May 03, 2022	PCN Number :	511981
Reason for Change :	Capacity change or tool replacement		
Description of Change :	This notification is to inform you that Molex Lincoln Nebraska is adding a new capacity tool to keep up with current and future demand of product listed. There will be no change to the fit, form or function of the product when compared to current tooling.		
Assessment of Change :	Reliability Test Report/s		
Planned Implementation Date :	January 17, 2023		
Sample Availability Date:	October 03, 2022		
Internal Molex Qualification Date :	January 05, 2023		
Last date to request Samples by Customer :	December 16, 2022		
Traceability Code Markings / Date :	Product made after planned implementation date can contain the change		

Before Picture

0.635mm Crimp Type Terminal

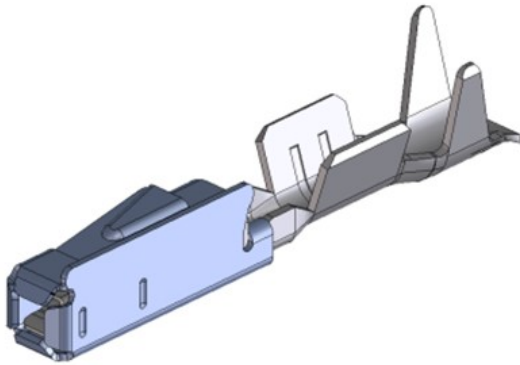


Photo is used as representation of product only.

After Picture

Overview

- MOX 0.635mm terminal additional capacity tooling
 - Global demand on the MOX 0.635mm crimp type terminal is increasing
 - In order to ensure safe and continuous supply to our customers we are building capacity tooling
- Product Impact
 - No impact to Fit, Form or Function
- Part Number Impact
 - See attached parts list
 - These part numbers are Molex proprietary designs, therefore considered catalog/general market product.
- Qualification Reports and samples available upon request after the date shown above

RELEASED

Additional Information :

Overview

- Level 3 PPAP will be available upon request beginning Jan 5th, 2023. Request for PPAP must occur by Jan 13th, 2023. Submissions will not occur without request.
 - If PPAP requested, disposition response required within 5 days of submit date or it will be considered approved.
 - If no PPAP requested by Jan 13th, 2023, the PPAP will be considered approved.

RELEASED

You may address inquires regarding this PCN by clicking on the below link
mailto:pcn_coordinator@molex.com?subject=PCN_Notification:511981
or contact your Local Sales Engineer.

Note: While responding, please retain " PCN Notification : **PCN Notification: 511981** " in the e-mail Subject line for faster response.

[Molex, LLC](#)
2222 Wellington Court
Lisle, IL 60532
TEL (800) 786-6539
www.molex.com

PCN No Part List

511981 [0387490246](#)
511981 [0688000968](#)
511981 [0688000969](#)
511981 [0688001011](#)
511981 [0688001012](#)
511981 [0688001226](#)
511981 [0688001243](#)
511981 [0688001244](#)
511981 [0923501802](#)
511981 [0923502710](#)
511981 [0923502714](#)
511981 [0923502715](#)
511981 [0923502910](#)
511981 [0923502914](#)
511981 [0923502915](#)
511981 [0923503710](#)
511981 [0923503711](#)
511981 [0923503712](#)
511981 [0923503713](#)
511981 [0923503728](#)
511981 [0923503730](#)
511981 [0923503731](#)
511981 [0986581211](#)
511981 [0986581212](#)
511981 [0986581213](#)
511981 [0986581221](#)
511981 [0986581222](#)
511981 [0986581223](#)
511981 [0987461102](#)
511981 [0987461103](#)
511981 [0987461105](#)
511981 [0987461106](#)
511981 [0987461107](#)
511981 [0987461108](#)
511981 [0987461109](#)
511981 [0987461110](#)
511981 [0987461111](#)
511981 [0987461112](#)
511981 [0987461117](#)
511981 [0987461202](#)
511981 [0987461203](#)
511981 [0987461206](#)
511981 [0987461211](#)
511981 [0987461212](#)
511981 [0987461217](#)

511981 [0987461220](#)
511981 [0987462101](#)
511981 [0987462107](#)
511981 [0987462201](#)
511981 [0987462203](#)
511981 [0987462207](#)
511981 [0987462208](#)
511981 [1000263004](#)
511981 [1000263024](#)
511981 [1000263101](#)
511981 [1000263141](#)
511981 [1000263202](#)
511981 [1000263242](#)
511981 [1000263301](#)
511981 [1000263302](#)
511981 [1000263311](#)
511981 [1000263312](#)
511981 [1000263401](#)
511981 [1000263402](#)
511981 [1000265002](#)
511981 [1000265068](#)
511981 [1000266001](#)
511981 [1000266002](#)
511981 [1000266047](#)