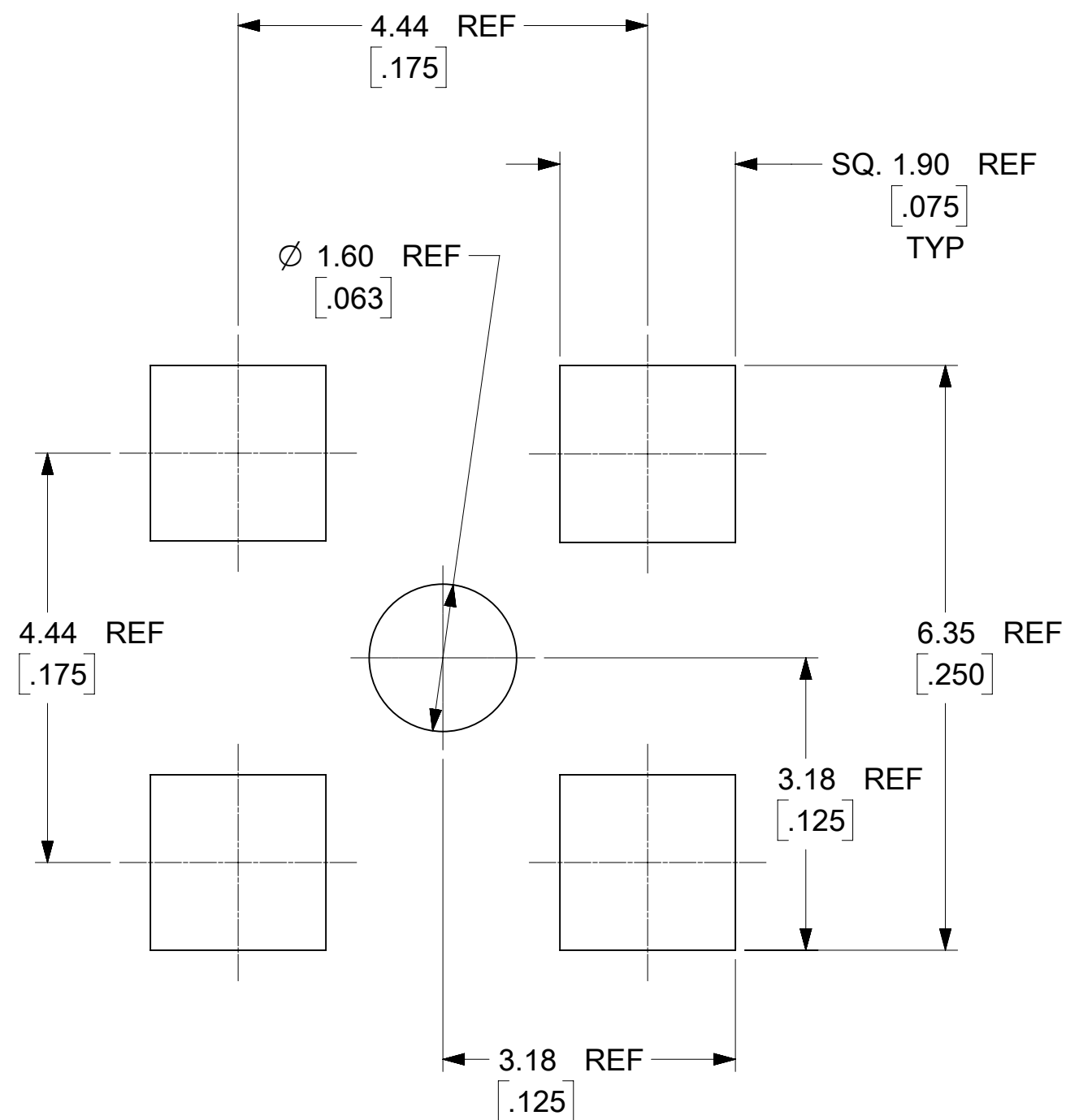
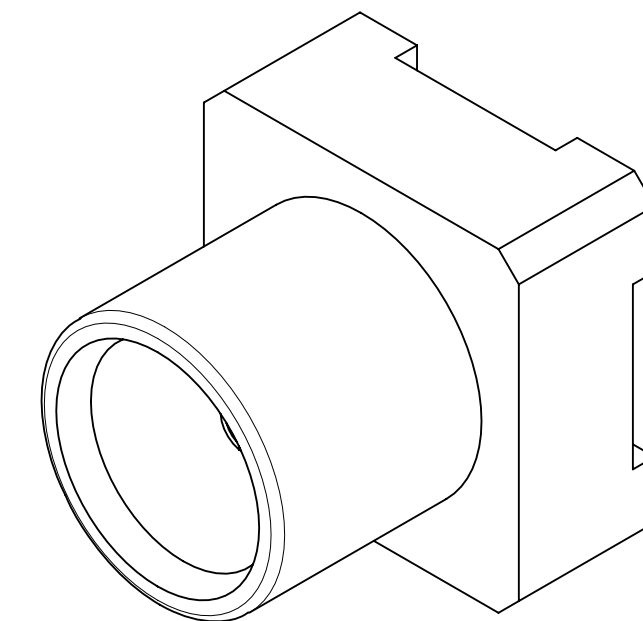


MATERIALS AND FINISHES:

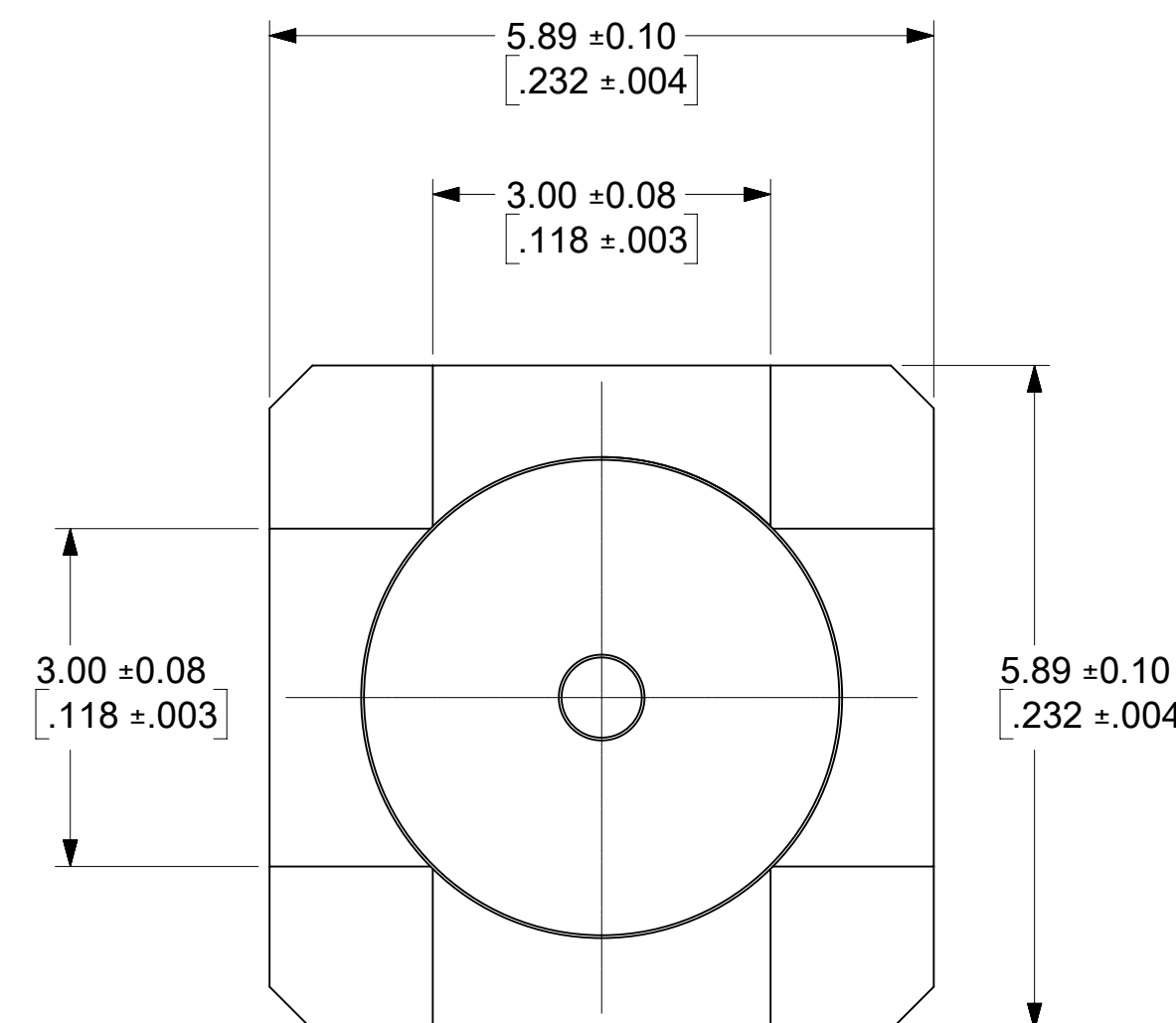
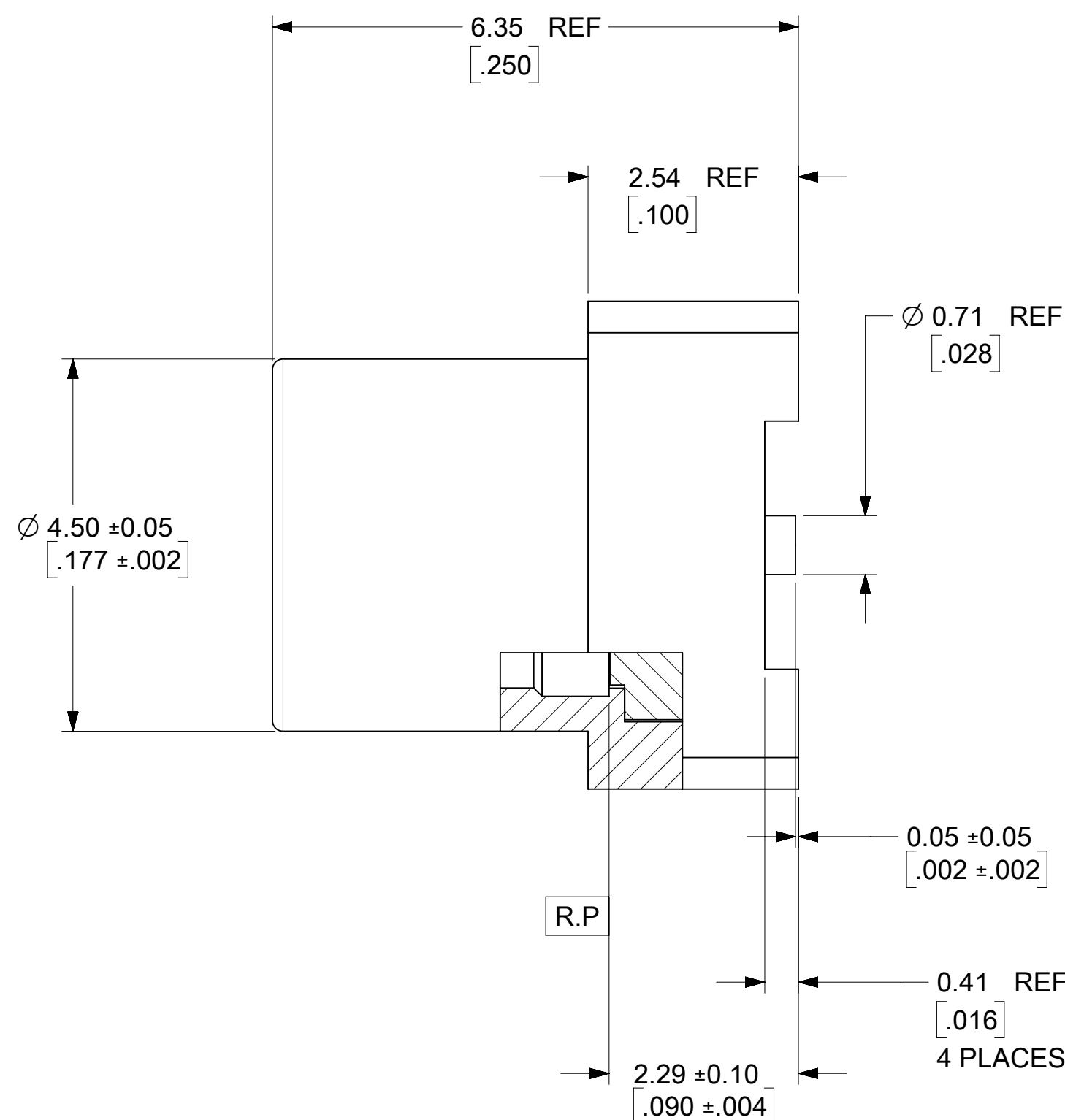
BODY: BRASS  
PLATED SEE TABLE

CENTER CONTACT: BERYLLIUM COPPER  
PLATED SEE TABLE

INSULATOR: PTFE



RECOMMENDED MOUNTING PATTERN



THIS DRAWING CONTAINS INFORMATION THAT IS PROPRIETARY TO MOLEX ELECTRONIC TECHNOLOGIES, LLC AND SHOULD NOT BE USED WITHOUT WRITTEN PERMISSION											
FUNCTIONAL SYMBOLS		DIMENSION UNITS		SCALE		CURRENT REV DESC:					
FA = 0		MM/INCH		NTS		EWR # 15426-A ADDED -1639 PART NO FOR TRAY PACKING					
FC = 0		GENERAL TOLERANCES (UNLESS SPECIFIED)						EC NO: 720547			
FP = 0										DRWN: JSU18 2022/09/08	
DIVISIONAL SYMBOLS		4 PLACES ±		MM		INCH				CHK'D: YCHENG 2022/09/13	
		3 PLACES ±		± 0.005						APPR: YCHENG 2022/09/13	
		2 PLACES ±		0.13 ±		0.01				INITIAL REVISION:	
		1 PLACE ±		0.25 ±						DRWN: TEF 2000/01/05	
		0 PLACES ±								APPR: GMH 2000/01/05	
		ANGULAR TOL ±		2.0 °						DOCUMENT NUMBER	
		DRAFT WHERE APPLICABLE		MUST REMAIN		WITHIN DIMENSIONS		THIRD ANGLE PROJECTION		DRAWING	
								C-SIZE		SERIES	
								73415		MATERIAL NUMBER	
										CUSTOMER	
										SHEET NUMBER	
										1 OF 8	

**molex**

MCX JACK,PCB,SMT,75 OHMS  
MCX-J/PCB, EWR-11739

PRODUCT CUSTOMER DRAWING

SD-73415-163

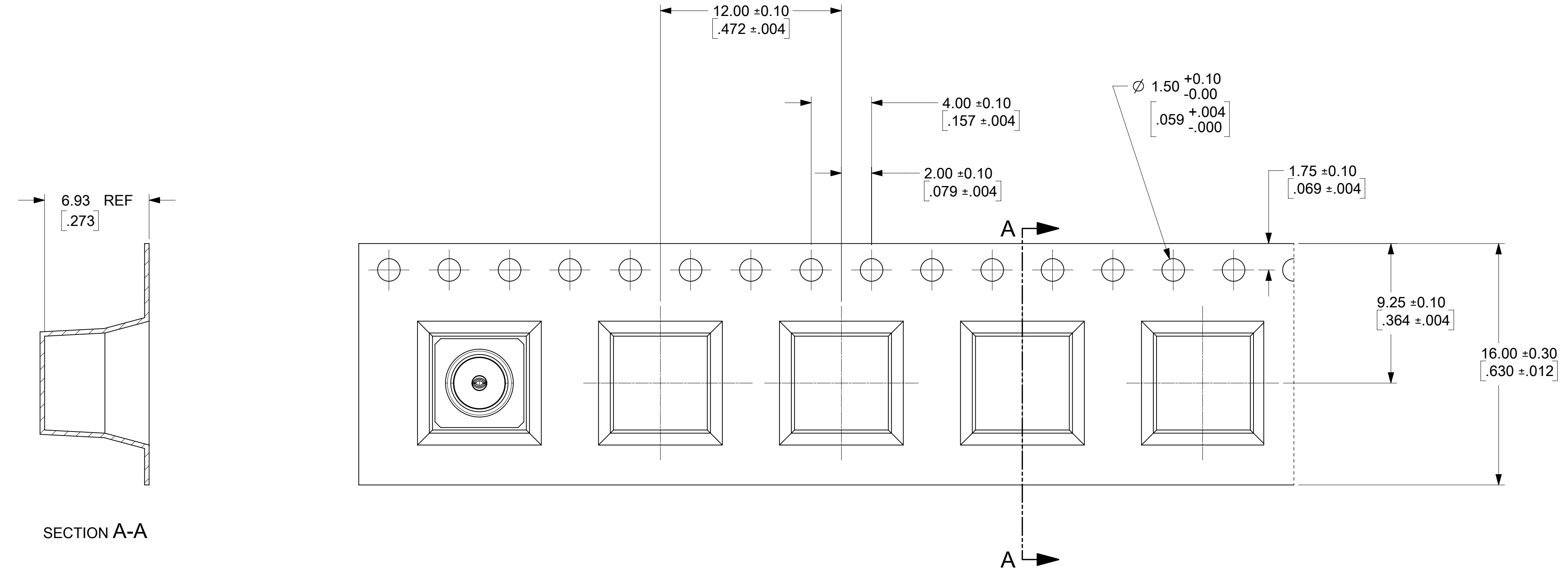
PSD 001 A10

73415-1639	SEE TABLE	P/N 73415-1631,TRAY (DU 3200PCS)
73415-1638	SEE TABLE	TAPE AND REEL (SPQ/DU 800PCS) WITH KAPTON TAPE OF 73415-1631
73415-1637	SEE TABLE	TAPE AND REEL (SPQ 800 PCS) WITHOUT KAPTON TAPE OF 73415-1630
73415-1636	SEE TABLE	TAPE AND REEL (SPQ 800 PCS) WITH KAPTON TAPE OF 73415-1630
73415-1635	SEE TABLE	P/N 73415-1631, ONE PIECE PER BAG
73415-1634	SEE TABLE	P/N 73415-1630, ONE PIECE PER BAG
73415-1633	SEE TABLE	TAPE AND REEL (SPQ 800 PCS) WITHOUT KAPTON TAPE OF 73415-1631
73415-1632	SEE TABLE	TAPE AND REEL (SPQ 800 PCS) WITH KAPTON TAPE OF 73415-1631
73415-1631	SEE TABLE	INDIVIDUAL, 100 PCS PER BAG
73415-1630	SEE TABLE	INDIVIDUAL, 100 PCS PER BAG
PART NO.	PLATING	PACKAGING

CONTACT	GOLD (10μ-in MIN)	GOLD (30μ-in MIN)
BODY	TRI-M3 (80μ-in MIN)	GOLD (10μ-in MIN)
PART NO.	73415-1630	73415-1631

FUNCTIONAL SYMBOLS FA = 0 FC = 0 FP = 0	THIS DRAWING CONTAINS INFORMATION THAT IS PROPRIETARY TO MOLEX ELECTRONIC TECHNOLOGIES, LLC AND SHOULD NOT BE USED WITHOUT WRITTEN PERMISSION		CURRENT REV DESC:		<b>molex</b>
	DIMENSION UNITS MM/INCH	SCALE NTS	EWR # 15426-A ADDED -1639 PART NO FOR TRAY PACKING		
DIVISIONAL SYMBOLS	GENERAL TOLERANCES (UNLESS SPECIFIED)		EC NO: 720547		MCX JACK,PCB,SMT,75 OHMS MCX-J/PCB, EWR-11739
	4 PLACES	±	±	DRWN: JSU18 2022/09/08	
	3 PLACES	±	± 0.005	CHK'D: YCHENG 2022/09/13	PRODUCT CUSTOMER DRAWING
	2 PLACES	± 0.13	± 0.01	APPR: YCHENG 2022/09/13	
	1 PLACE	± 0.25	±	INITIAL REVISION:	DOCUMENT NUMBER <b>SD-73415-163</b>
	0 PLACES	±	±	DRWN: DRWN BY XXXX/XX/XX	
	ANGULAR TOL	± 2.0 °		APPR: APPR BY XXXX/XX/XX	DOC TYPE PSD
DRAFT WHERE APPLICABLE MUST REMAIN WITHIN DIMENSIONS		THIRD ANGLE PROJECTION		DRAWING C-SIZE	DOC PART 001
				SERIES 73415	REVISION A10
SHEET NUMBER 2 OF 8		MATERIAL NUMBER		CUSTOMER	

DOCUMENT STATUS	P1	RELEASE DATE	2022/09/13 10:28:02
-----------------	----	--------------	---------------------



SECTION A-A

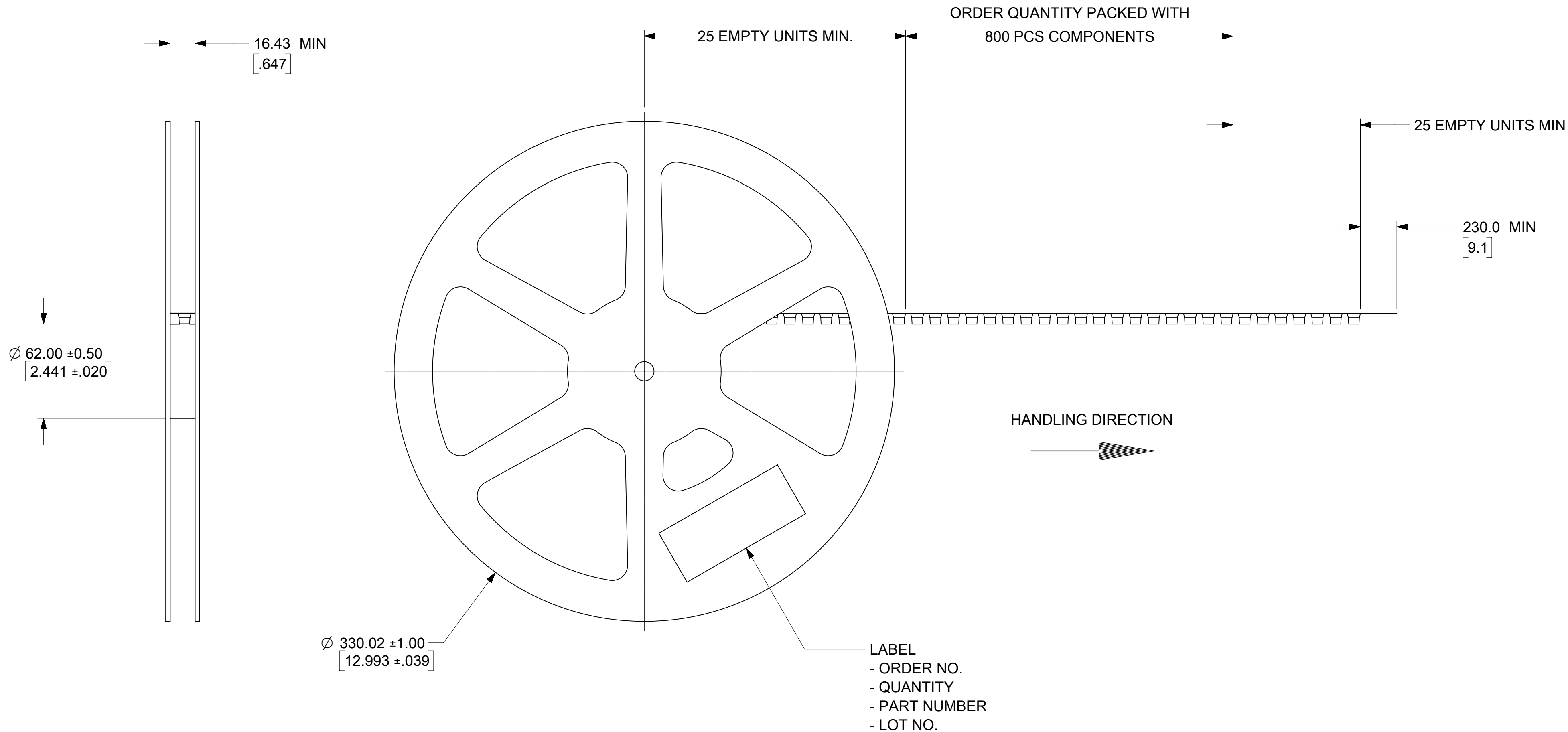
<b>FUNCTIONAL SYMBOLS</b> $\frac{F}{A} = 0$ $\frac{F}{C} = 0$ $\frac{F}{P} = 0$	THIS DRAWING CONTAINS INFORMATION THAT IS PROPRIETARY TO MOLEX ELECTRONIC TECHNOLOGIES, LLC AND SHOULD NOT BE USED WITHOUT WRITTEN PERMISSION																							
	DIMENSION UNITS: <b>MM/INCH</b> SCALE: <b>NTS</b>		CURRENT REV DESC:																					
	GENERAL TOLERANCES (UNLESS SPECIFIED)		EWR # 15426-A ADDED -1639 PART NO FOR TRAY PACKING																					
	<table border="1"> <thead> <tr> <th></th> <th>MM</th> <th>INCH</th> </tr> </thead> <tbody> <tr> <td>4 PLACES</td> <td>±</td> <td>±</td> </tr> <tr> <td>3 PLACES</td> <td>±</td> <td>± 0.005</td> </tr> <tr> <td>2 PLACES</td> <td>± 0.13</td> <td>± 0.01</td> </tr> <tr> <td>1 PLACE</td> <td>± 0.25</td> <td>±</td> </tr> <tr> <td>0 PLACES</td> <td>±</td> <td>±</td> </tr> <tr> <td>ANGULAR TOL</td> <td colspan="2">± 2.0 °</td> </tr> </tbody> </table>			MM	INCH	4 PLACES	±	±	3 PLACES	±	± 0.005	2 PLACES	± 0.13	± 0.01	1 PLACE	± 0.25	±	0 PLACES	±	±	ANGULAR TOL	± 2.0 °		EC NO: 720547 DRWN: JSU18 CHK'D: YCHENG APPR: YCHENG
	MM	INCH																						
4 PLACES	±	±																						
3 PLACES	±	± 0.005																						
2 PLACES	± 0.13	± 0.01																						
1 PLACE	± 0.25	±																						
0 PLACES	±	±																						
ANGULAR TOL	± 2.0 °																							
<b>DIVISIONAL SYMBOLS</b>	DRAFT WHERE APPLICABLE MUST REMAIN WITHIN DIMENSIONS		THIRD ANGLE PROJECTION																					
	DRWN: DRWN BY		INITIAL REVISION:																					
	APPR: APPR BY		XXXX/XX/XX XXXX/XX/XX																					
	MATERIAL NUMBER		CUSTOMER																					
DOCUMENT NUMBER: <b>SD-73415-163</b>		DOC TYPE: <b>PSD</b>																						
DOC PART: <b>001</b>		REVISION: <b>A10</b>																						
SHEET NUMBER: <b>3 OF 8</b>		DRAWING: <b>C-SIZE</b>																						
SERIES: <b>73415</b>		MATERIAL NUMBER:																						



MCX JACK,PCB,SMT,75 OHMS  
MCX-J/PCB, EWR-11739

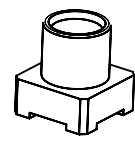
PRODUCT CUSTOMER DRAWING

PART NO. 73415-1636  
13" REEL SIZE FOR 800 PIECES

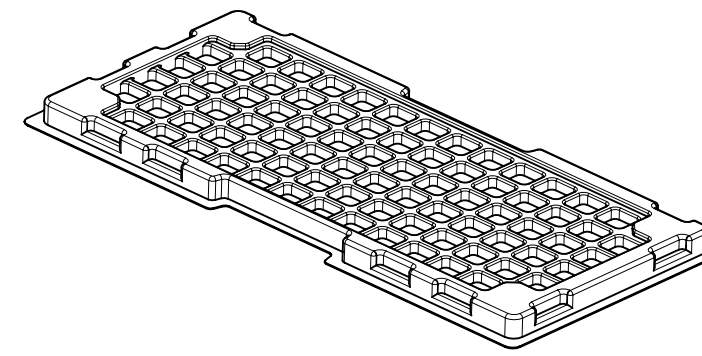


FUNCTIONAL SYMBOLS	THIS DRAWING CONTAINS INFORMATION THAT IS PROPRIETARY TO MOLEX ELECTRONIC TECHNOLOGIES, LLC AND SHOULD NOT BE USED WITHOUT WRITTEN PERMISSION																
	DIMENSION UNITS	SCALE		CURRENT REV DESC:													
$\frac{F}{A} = 0$	MM/INCH	NTS		EWR # 15426-A ADDED -1639 PART NO FOR TRAY PACKING													
$\frac{F}{C} = 0$	GENERAL TOLERANCES (UNLESS SPECIFIED)			EC NO: 720547						MCX JACK,PCB,SMT,75 OHMS MCX-J/PCB, EWR-11739							
$\frac{F}{P} = 0$		MM	INCH	DRWN: JSU18 2022/09/08						PRODUCT CUSTOMER DRAWING							
	4 PLACES	±	±	CHK'D: YCHENG 2022/09/13													
		3 PLACES	±	± 0.005	APPR: YCHENG 2022/09/13						DOCUMENT NUMBER		DOC TYPE	DOC PART	REVISION		
		2 PLACES	±	0.13	±	0.01	INITIAL REVISION:						SD-73415-163		PSD	001	A10
		1 PLACE	±	0.25	±		DRWN: DRWN BY XXXX/XX/XX						MATERIAL NUMBER		CUSTOMER		SHEET NUMBER
		0 PLACES	±		±		APPR: APPR BY XXXX/XX/XX										4 OF 8
		ANGULAR TOL ± 2.0 °		DRAFT WHERE APPLICABLE MUST REMAIN WITHIN DIMENSIONS						THIRD ANGLE PROJECTION		DRAWING	SERIES				
												C-SIZE	73415				

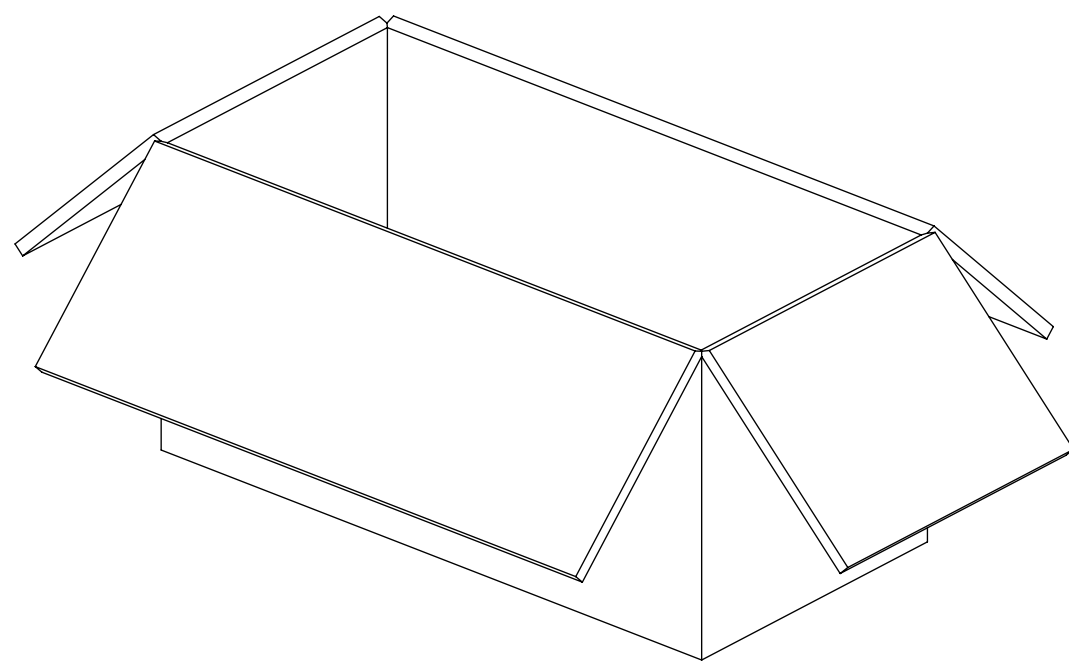
DOCUMENT STATUS	P1	RELEASE DATE	2022/09/13	10:28:02
-----------------	----	--------------	------------	----------



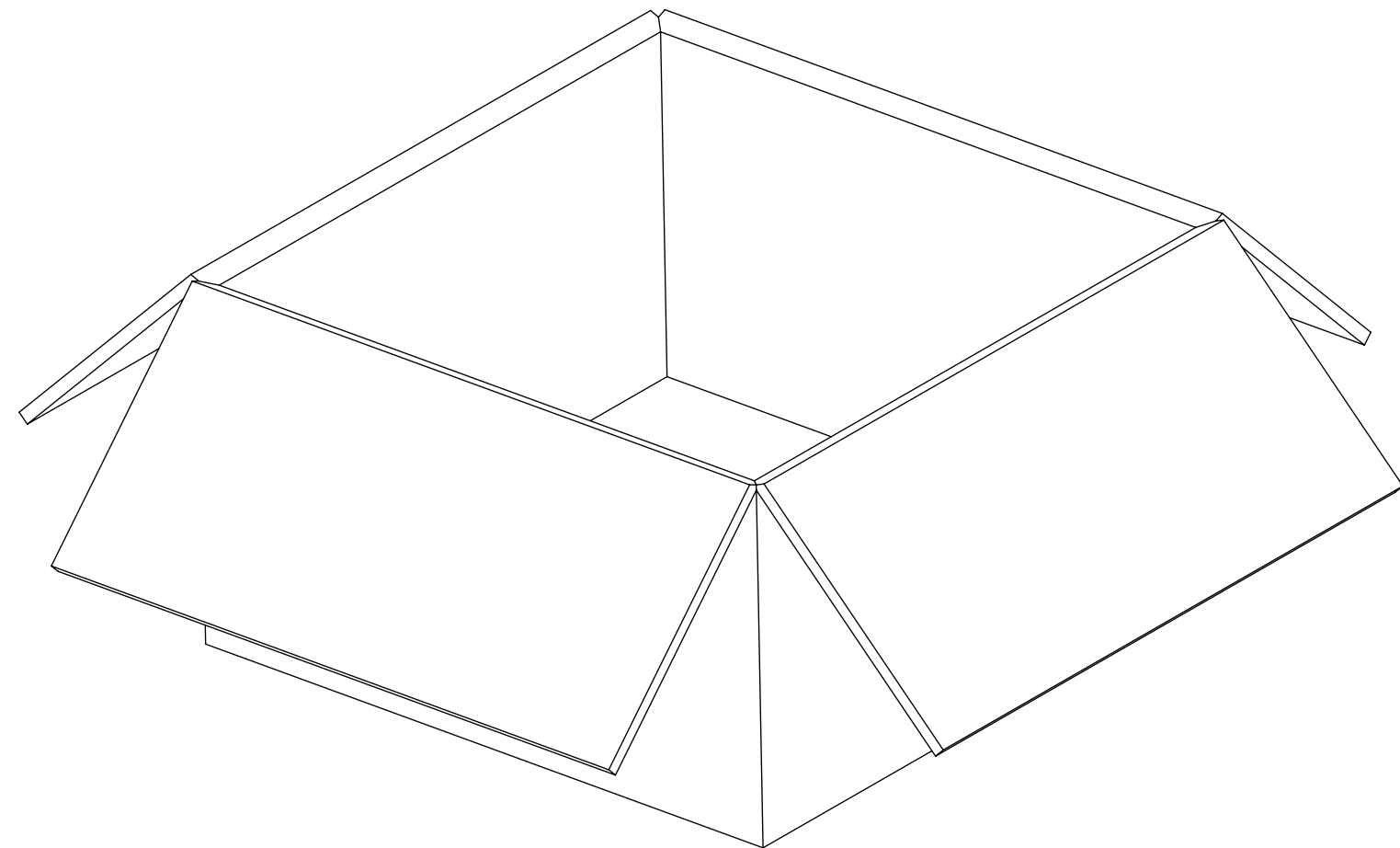
PART NO : 73415-1639



80 SET PER TRAY  
P/N: 89707-0190

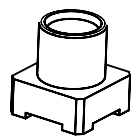


1600 SET PER INNER CARTON BOX  
P/N: 96707-0001  
L371mm X W184mm X D192mm

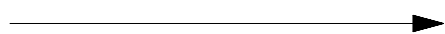


3200 SET PER OUTER CARTON BOX  
P/N: 96708-0005  
L394mm X W391mm X D212mm

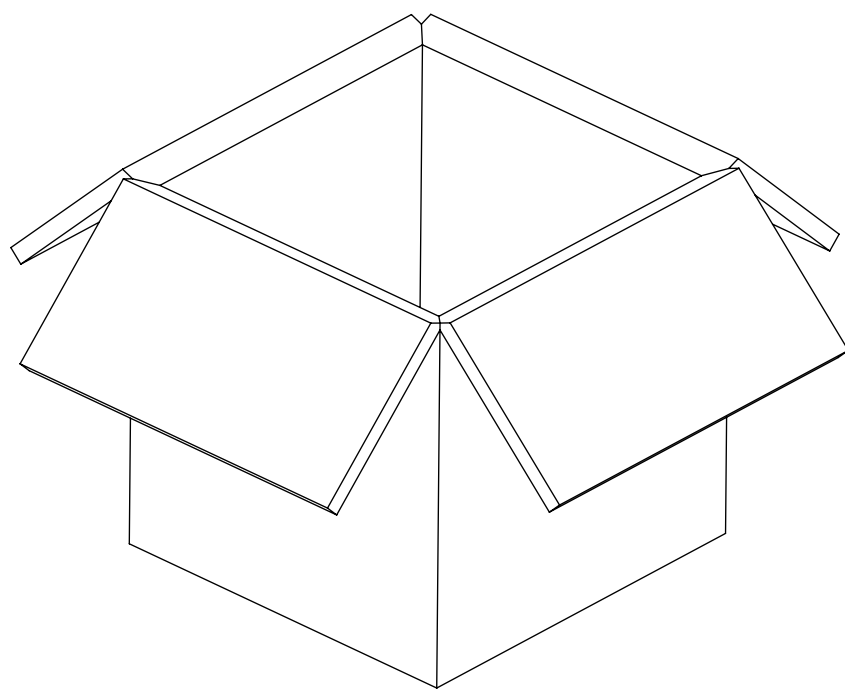
FUNCTIONAL SYMBOLS	THIS DRAWING CONTAINS INFORMATION THAT IS PROPRIETARY TO MOLEX ELECTRONIC TECHNOLOGIES, LLC AND SHOULD NOT BE USED WITHOUT WRITTEN PERMISSION											
	DIMENSION UNITS		SCALE		CURRENT REV DESC:						<b>molex</b>	
$\frac{F}{A} = 0$	MM/INCH	NTS		EWR # 15426-A ADDED -1639 PART NO FOR TRAY PACKING								
$\frac{F}{C} = 0$	GENERAL TOLERANCES (UNLESS SPECIFIED)				EC NO: 720547						MCX JACK,PCB,SMT,75 OHMS MCX-J/PCB, EWR-11739	
$\frac{F}{P} = 0$			MM	INCH	DRWN: JSU18 2022/09/08							
DIVISIONAL SYMBOLS	4 PLACES		±	±	CHK'D: YCHENG 2022/09/13						PRODUCT CUSTOMER DRAWING	
	3 PLACES		±	± 0.005	APPR: YCHENG 2022/09/13							
	2 PLACES		± 0.13	± 0.01	INITIAL REVISION:						DOCUMENT NUMBER <b>SD-73415-163</b>	
	1 PLACE		± 0.25	±	DRWN: DRAWN BY 0099/99/99							
0 PLACES		±	±	APPR: APPR BY 0099/99/99						PSD	001	A10
ANGULAR TOL		± 2.0 °		THIRD ANGLE PROJECTION		DRAWING	SERIES	MATERIAL NUMBER		CUSTOMER	SHEET NUMBER	
DRAFT WHERE APPLICABLE MUST REMAIN WITHIN DIMENSIONS						C-SIZE	73415				5 OF 8	



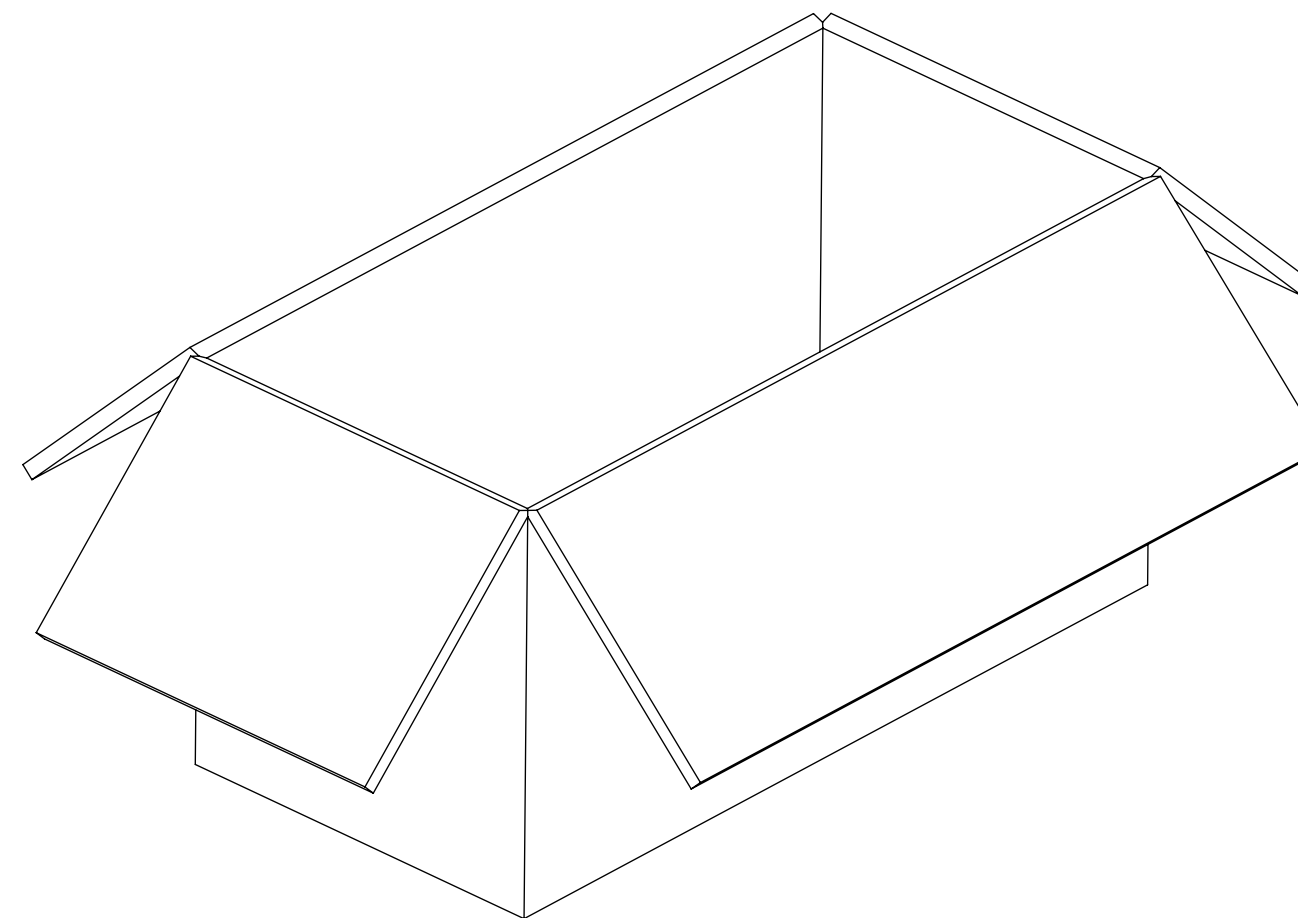
PART NO : 73415-1630  
PART NO : 73415-1631



100 SETS PER POLY BAG  
P/N: 89707-0001

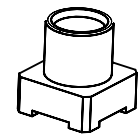


2000 SETS PER INNER  
CARTON BOX  
P/N: 96707-0005  
DIMENSION: 176X173X176MM

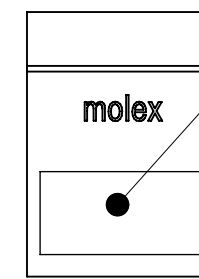
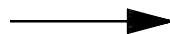


4000 SETS PER OUTER  
CARTON BOX  
P/N: 96707-0002  
DIMENSION: 564X176X176MM

FUNCTIONAL SYMBOLS										THIS DRAWING CONTAINS INFORMATION THAT IS PROPRIETARY TO MOLEX ELECTRONIC TECHNOLOGIES, LLC AND SHOULD NOT BE USED WITHOUT WRITTEN PERMISSION														
DIMENSION UNITS					SCALE					CURRENT REV DESC:														
MM/INCH					NTS																			
GENERAL TOLERANCES (UNLESS SPECIFIED)										EC NO: 720547														
4 PLACES ±					MM					INCH					DRWN: JSU18 2022/09/08									
3 PLACES ±					± 0.005										CHK'D: YCHENG 2022/09/13									
2 PLACES ±					0.13 ±					0.01					APPR: YCHENG 2022/09/13									
1 PLACE ±					0.25 ±										INITIAL REVISION:									
0 PLACES ±															DRWN: DRAWN BY 0099/99/99									
ANGULAR TOL ±					2.0 °										APPR: APPR BY 0099/99/99									
DRAFT WHERE APPLICABLE MUST REMAIN WITHIN DIMENSIONS										THIRD ANGLE PROJECTION					DRAWING					SERIES				
															C-SIZE					73415				
DOCUMENT NUMBER					CUSTOMER					SHEET NUMBER					SD-73415-163					PSD 001 A10				

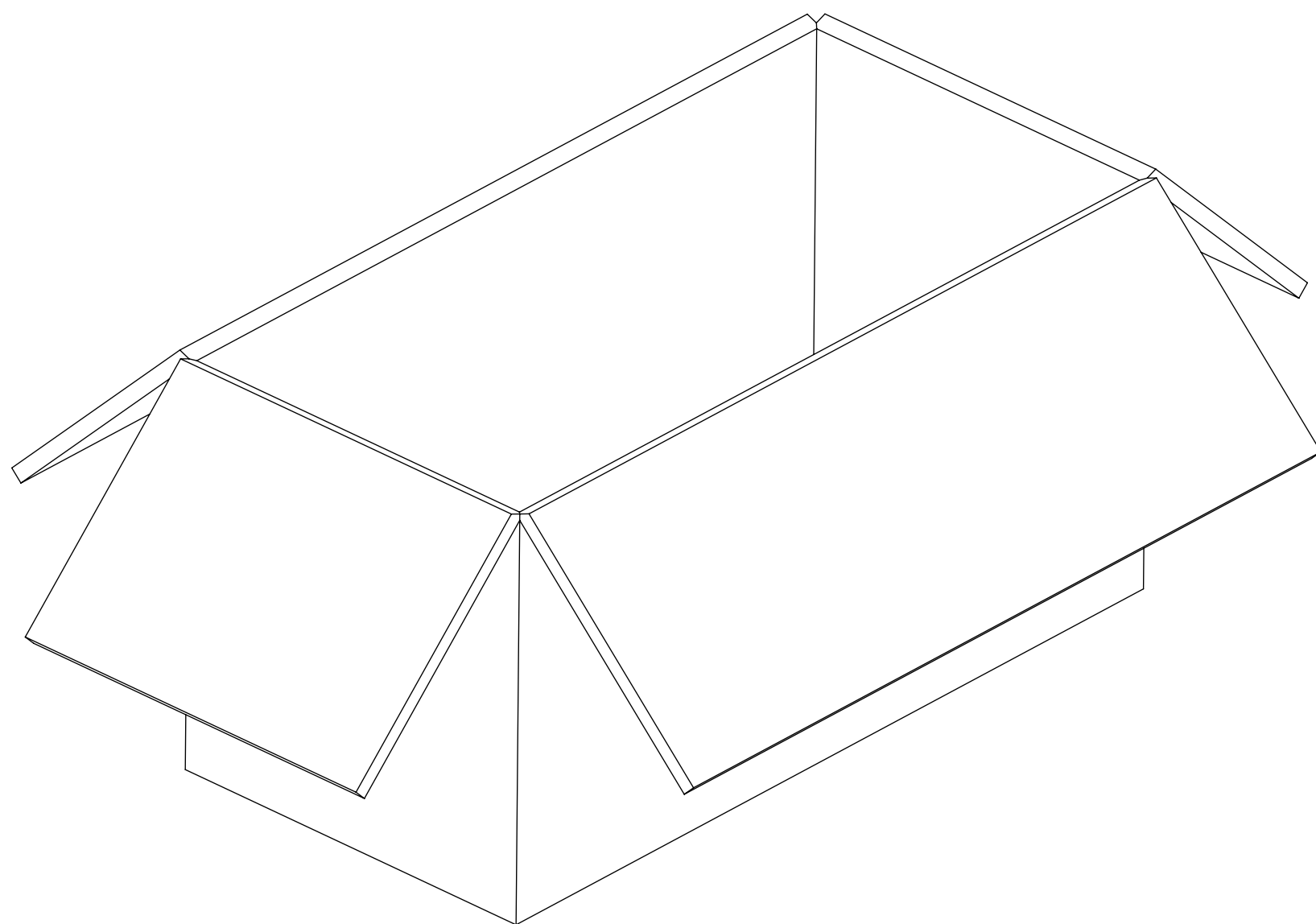


PART NO : 73415-1634

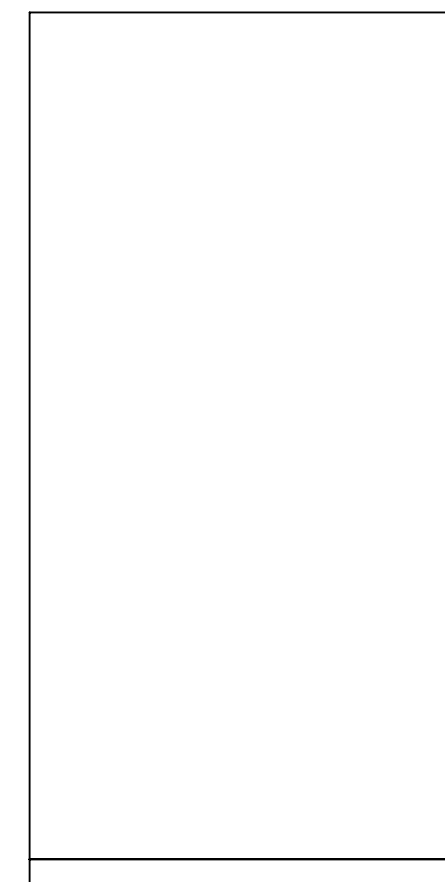
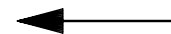


LABEL WITH EACH BAG  
 PART NUMBER  
 ORDER NUMBER  
 MOLEX  
 DATE: YYWW

ONE SET PER ZIPPER BAG  
 P/N: 89707-0317

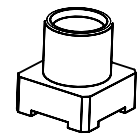


500 SETS PER CARTON BOX  
 P/N: 96707-0002  
 DIMENSION: 564X176X176MM

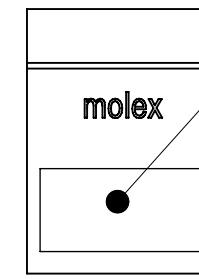
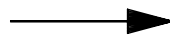


50 SETS PER BAG  
 P/N: 89707-0174

FUNCTIONAL SYMBOLS	THIS DRAWING CONTAINS INFORMATION THAT IS PROPRIETARY TO MOLEX ELECTRONIC TECHNOLOGIES, LLC AND SHOULD NOT BE USED WITHOUT WRITTEN PERMISSION												
	DIMENSION UNITS	SCALE		CURRENT REV DESC:						<b>molex</b>			
$\frac{F}{A} = 0$	MM/INCH	NTS		EWR # 15426-A ADDED -1639 PART NO FOR TRAY PACKING									
$\frac{F}{C} = 0$	GENERAL TOLERANCES (UNLESS SPECIFIED)			EC NO: 720547						MCX JACK,PCB,SMT,75 OHMS MCX-J/PCB, EWR-11739			
$\frac{F}{P} = 0$		MM	INCH	DRWN: JSU18 2022/09/08									
DIVISIONAL SYMBOLS	4 PLACES	±	±	CHK'D: YCHENG 2022/09/13						PRODUCT CUSTOMER DRAWING			
	3 PLACES	±	± 0.005	APPR: YCHENG 2022/09/13									
	2 PLACES	± 0.13	± 0.01	INITIAL REVISION:						DOCUMENT NUMBER	DOC TYPE	DOC PART	REVISION
	1 PLACE	± 0.25	±	DRWN: DRAWN BY 0099/99/99						SD-73415-163	PSD	001	A10
	0 PLACES	±	±	APPR: APPR BY 0099/99/99						MATERIAL NUMBER	CUSTOMER		SHEET NUMBER
	ANGULAR TOL ± 2.0 °			THIRD ANGLE PROJECTION		DRAWING	SERIES					7 OF 8	
	DRAFT WHERE APPLICABLE MUST REMAIN WITHIN DIMENSIONS					C-SIZE	73415						

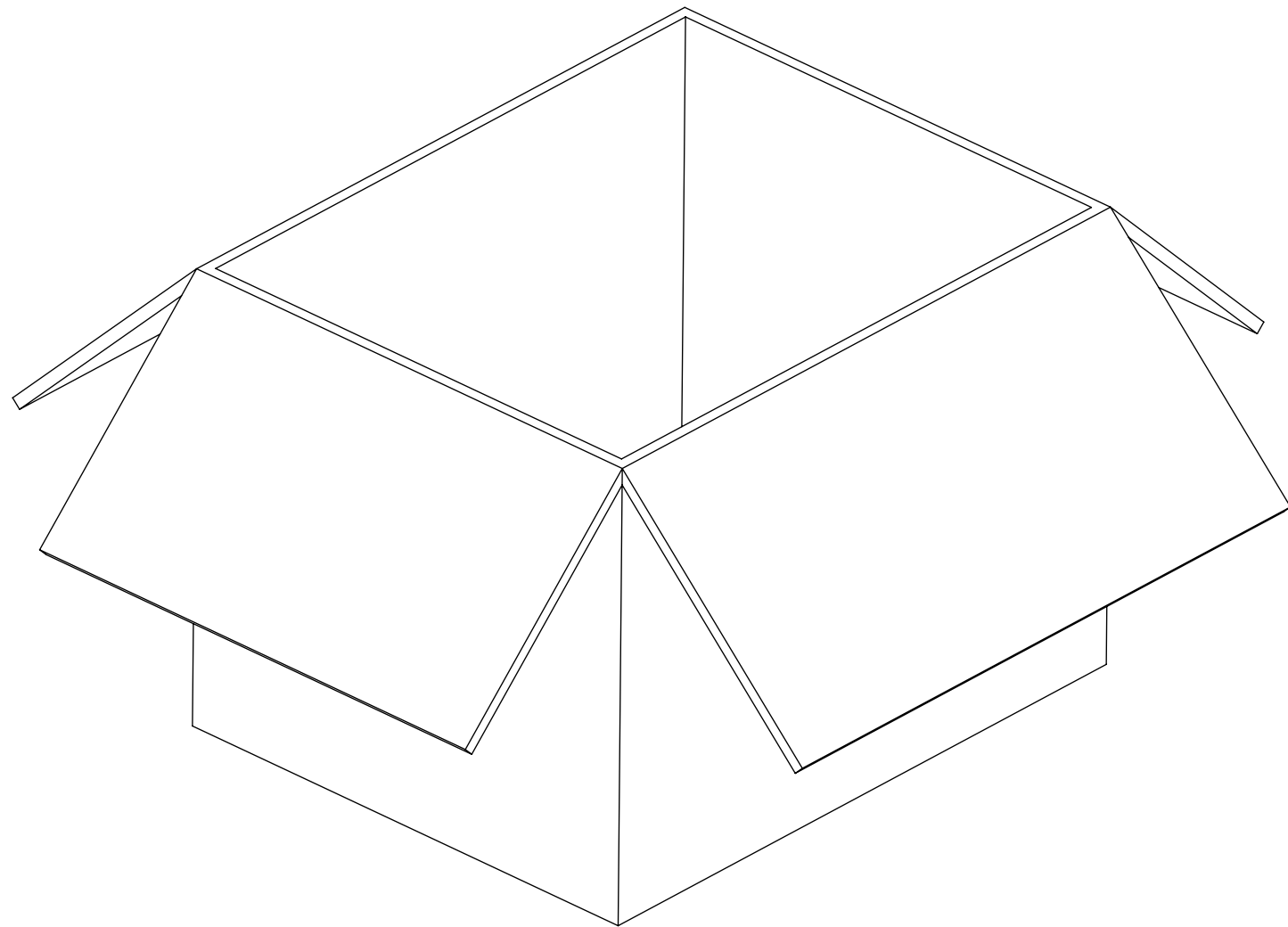


PART NO : 73415-1635

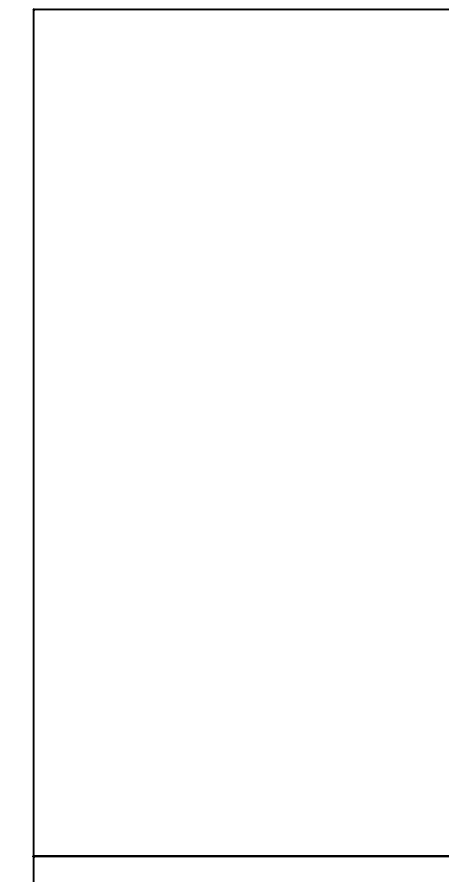
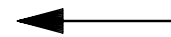


LABEL WITH EACH BAG  
 PART NUMBER  
 ORDER NUMBER  
 MOLEX  
 DATE: YYWW

ONE SET PER ZIPPER BAG  
 P/N: 89707-0317



500 SETS PER CARTON BOX  
 P/N: 89499-9027  
 DIMENSION: 267X215X260MM



50 SETS PER BAG  
 P/N: 89707-0174

FUNCTIONAL SYMBOLS	THIS DRAWING CONTAINS INFORMATION THAT IS PROPRIETARY TO MOLEX ELECTRONIC TECHNOLOGIES, LLC AND SHOULD NOT BE USED WITHOUT WRITTEN PERMISSION												
	DIMENSION UNITS		SCALE		CURRENT REV DESC:						<b>molex</b>		
$\frac{F}{A} = 0$	MM/INCH	NTS		EWR # 15426-A ADDED -1639 PART NO FOR TRAY PACKING									
$\frac{F}{C} = 0$	GENERAL TOLERANCES (UNLESS SPECIFIED)			EC NO: 720547						MCX JACK,PCB,SMT,75 OHMS MCX-J/PCB, EWR-11739			
$\frac{F}{P} = 0$			MM	INCH	DRWN: JSU18 2022/09/08								
DIVISIONAL SYMBOLS	4 PLACES		±	±	CHK'D: YCHENG 2022/09/13						PRODUCT CUSTOMER DRAWING		
	3 PLACES		±	± 0.005	APPR: YCHENG 2022/09/13								
	2 PLACES		± 0.13	± 0.01	INITIAL REVISION:						DOCUMENT NUMBER		
	1 PLACE		± 0.25	±	DRWN: DRAWN BY 0099/99/99						SD-73415-163		
0 PLACES		±	±	APPR: APPR BY 0099/99/99						DOC TYPE DOC PART REVISION			
ANGULAR TOL		± 2.0 °	THIRD ANGLE PROJECTION						PSD 001 A10				
DRAFT WHERE APPLICABLE MUST REMAIN WITHIN DIMENSIONS				DRAWING		SERIES		MATERIAL NUMBER		CUSTOMER		SHEET NUMBER	
				C-SIZE		73415						8 OF 8	