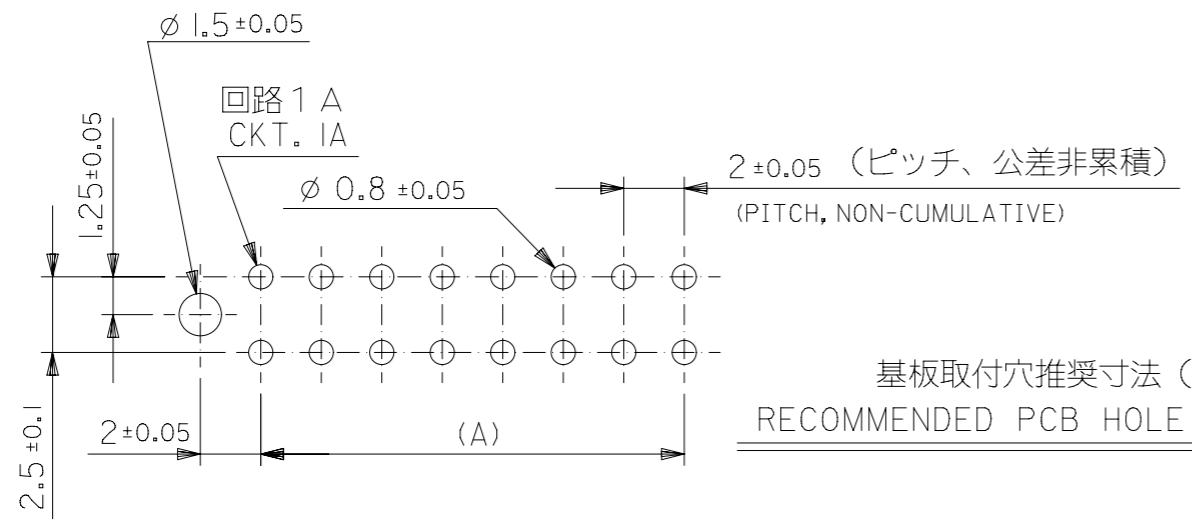
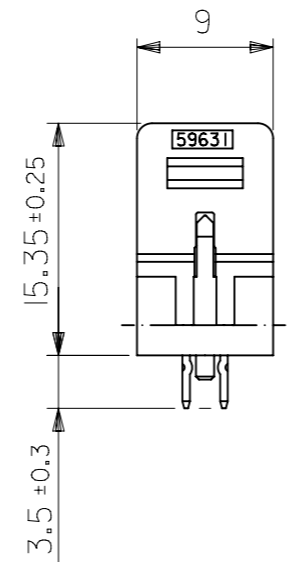
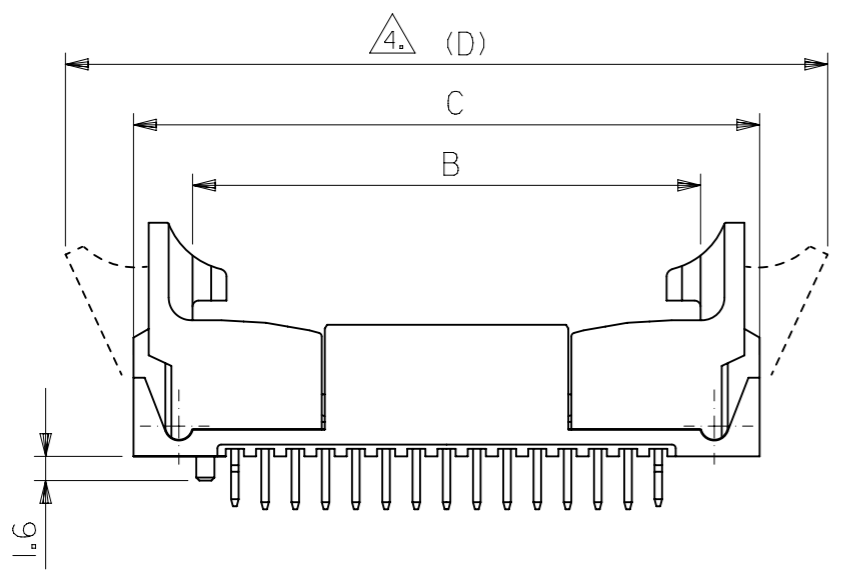


注記
NOTES

- 材料 :
MATERIALS:
ウエハー : ガラス入り 66ナイロン
UL94V-0 色: グレー
WAFER : GLASS FILLE 66 NYLON
UL94V-0, COLOR : GRAY
ピン : 黄銅、スズメッキ
PIN : BRASS, PRE-TINNED
- 適合メスコネクター : 51089-***5, 52478-**15,
MATING CONNECTORS :
- 推奨基板厚 :
RECOMMENDED PCB THICKNESS : $t = 1.6\text{mm}$
- イジェクターが開いてる状態。
EJECTORS IN OPEN POSITION
- メッキ仕様
TERMINAL PLATING
表面メッキ : スズメッキ $1\mu\text{m}$ MIN.
SURFACE PLATE : TIN $1\mu\text{m}$ MIN.
下地メッキ : ニッケルメッキ $0.5\mu\text{m}$ MIN.
UNDER PLATE : NICKEL $0.5\mu\text{m}$ MIN.



基板取付穴推奨寸法 (参考)
RECOMMENDED PCB HOLE DIM.(REF.)

無鉛
LEAD FREE

80.4	71.4	63.6	58	53314-6065	60
(D)	C	B	(A)	MATERIAL NO.	CKT.

THIS DRAWING CONTAINS INFORMATION THAT IS PROPRIETARY TO MOLEX ELECTRONIC TECHNOLOGIES, LLC AND SHOULD NOT BE USED WITHOUT WRITTEN PERMISSION

DIMENSION UNITS	SCALE	CURRENT REV DESC: RETRACTED PART NUMBER AS PER SALES FORCE CASE#127615
MM	NTS	

molex

2.0 W/B DUAL ROW S/T
HEADER WITH EJECT ASSY

PRODUCT CUSTOMER DRAWING

EC NO: 664698
DRWN: SUGEEB 2021/05/11
CHK'D: GGA 2021/05/25
APPR: GGA 2021/05/25

INITIAL REVISION:
DRWN: A.IDA 2003/05/07
APPR: Y.ITO 2003/05/07

DOCUMENT NUMBER: SD-53314-001
DOC TYPE: PSD
DOC PART: 001
REVISION: B

DRAFT WHERE APPLICABLE MUST REMAIN WITHIN DIMENSIONS

THIRD ANGLE PROJECTION

DRAWING: A3-SIZE
SERIES: 53314
MATERIAL NUMBER: SEE TABLE
CUSTOMER: GENERAL MARKET
SHEET NUMBER: 1 OF 1

GENERAL TOLERANCES (UNLESS SPECIFIED)	
10 UNDER	± 0.2
10 OVER 30 UNDER	± 0.25
30 OVER	± 0.3
ANGULAR ±3°	
DRAFT WHERE APPLICABLE MUST REMAIN WITHIN DIMENSIONS	

MATERIAL 材料
注記参照
SEE NOTES