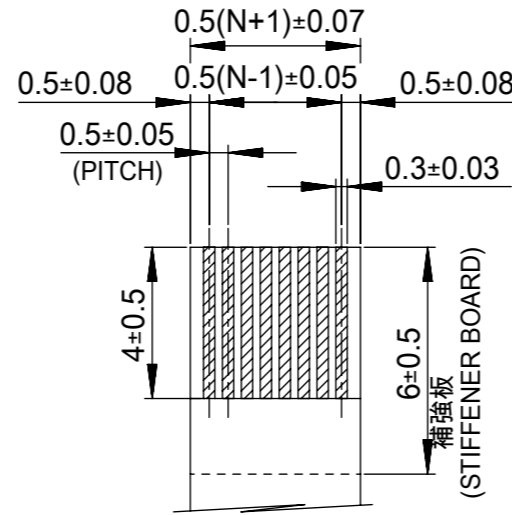
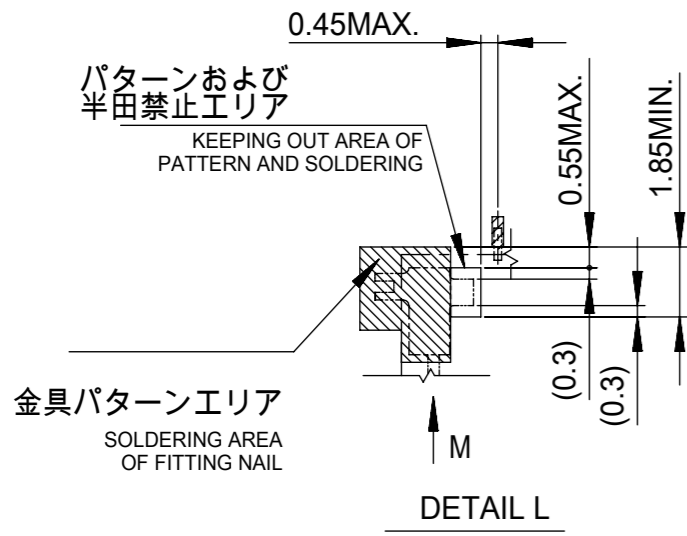


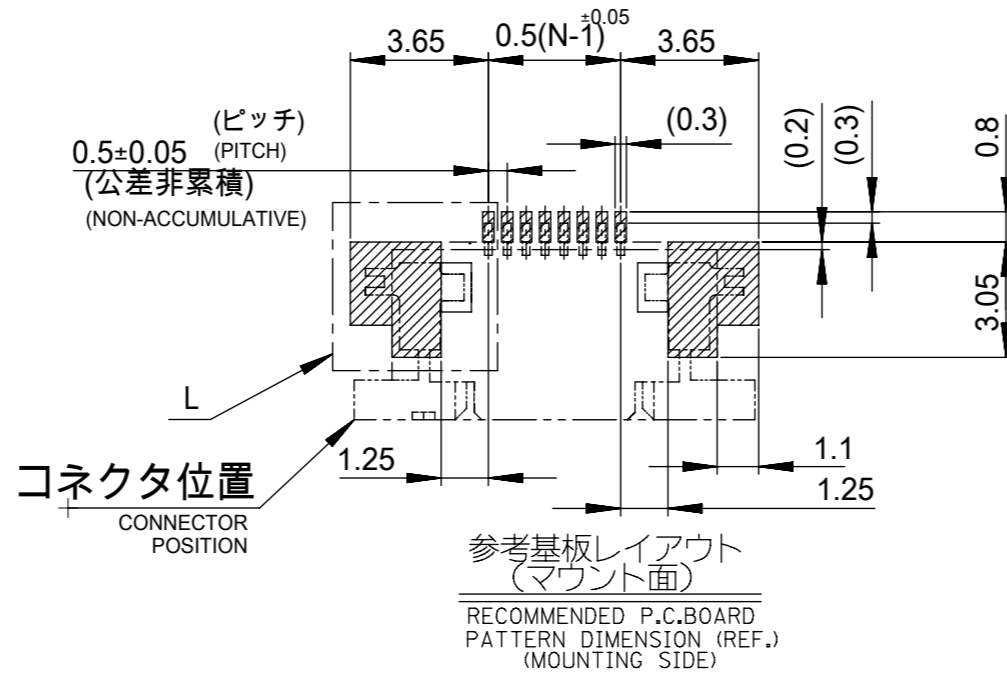
適合錫系めっきFPC推奨寸法  
 APPLICABLE FPC OF TIN  
 PLATING RECOMMENDED DIMENSION  
 仕上がり厚さ : 0.3±0.05  
 THICKNESS: 0.3±0.05/-0.05



適合錫系めっきFFC推奨寸法  
 APPLICABLE FFC OF TIN  
 PLATING RECOMMENDED DIMENSION  
 仕上がり厚さ : 0.3±0.05  
 THICKNESS: 0.3±0.05/-0.05



VIEW M  
 (DETAIL OF FITTING NAIL ON PATTERN)

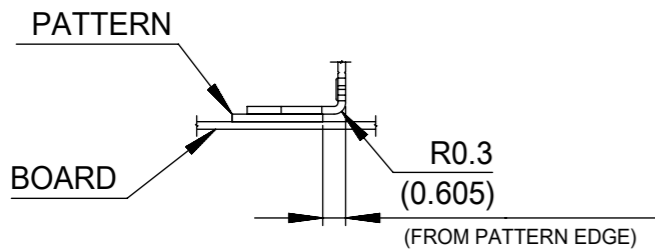


注記NOTES

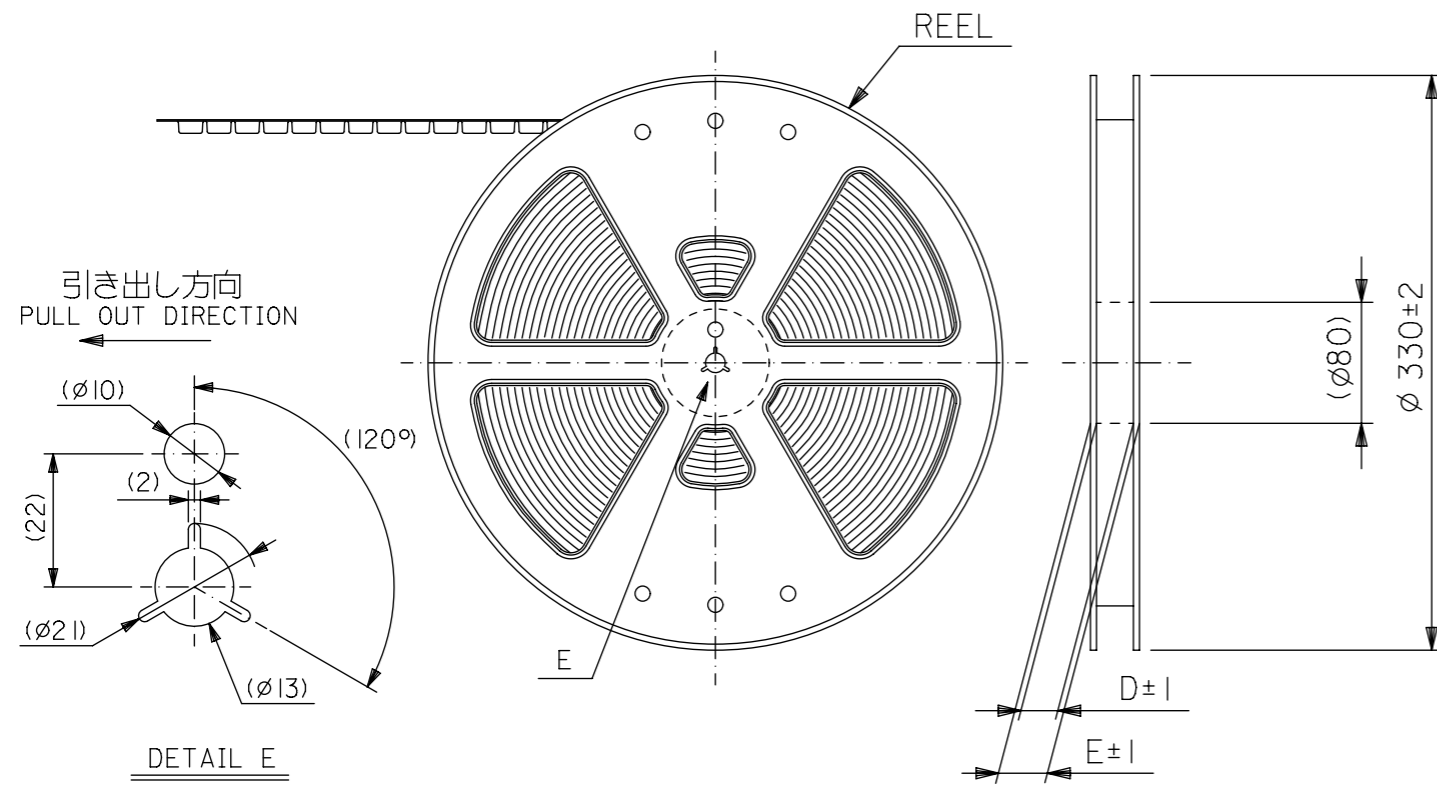
- 1.使用材料  
 MATERIAL  
 ハウジング : 46ナイロン、ガラス充填、UL94V-0、白  
 HOUSING: PA46, GLASS FILLED, UL94V-0, WHITE  
 アクチュエータ : ポリフェニレンサルフィド ( PPS )、ガラス充填、UL94V-0、茶色  
 ACTUATOR: POLYPHENYLENE SULFIDE, GLASS FILLED, UL94V-0, BROWN  
 ターミナル : リン青銅、ニッケル下地錫ビスマスめっき ( t=0.2 )  
 TERMINAL: PHOSPHOR BRONZE, TIN BISMUTH OVER NICKEL PLATING  
 金具 : リン青銅、ニッケル下地錫めっき ( t=0.2 )  
 FITTING NAIL: PHOSPHOR BRONZE, TIN OVER NICKEL PLATING
- 2.エンボステープ梱包時は、アクチュエータがロックした状態になります。  
 IN THE PACKAGE, ACTUATOR OF PART NO.52437-\*\*26 SHOULD BE LOCKED.
- 3.ソルダーテール半田付け面のズレ量、及び金具半田付け面のズレ量は、基準面Hに対して上方向に0.1MAXIMUM、下方向0.15MAXIMUMとする。  
 MISALIGNMENT OF SOLDER TAILS AND FITTING NAILS FROM DATUM-H.  
 UPPER DIRECTION: 0.1MAXIMUM  
 LOWER DIRECTION: 0.15 MAXIMUM
- 4.偶数極に適用  
 APPLY FOR EVEN CIRCUIT.
- 5.パターン剥離止め金具  
 FITTING NAIL FOR PREVENTION OF PEELING OF P.W.B. PATTERN.
- 6.R0.3は、FPCの導体部にかからないこと  
 R0.3 MUST NOT BE OVERLAPED TO PATTERN OF FPC.
- 7.ソルダーテールの平坦度は、0.1MAXIMUMとする。  
 SOLDER TAIL COPLANARITY IS 0.1 MAXIMUM.
- 8.ELV 及び RoHS 適合品  
 ELV AND RoHS COMPLIANT

FPCについて：  
 打抜き方向は導体側から補強板側を推奨致します。  
 補強フィルム材質はポリイミドを推奨致します。  
 接着剤は熱硬化接着剤を推奨致します。

ABOUT FPC:  
 RECOMMENDED PUNCHER DIRECTION :  
 FROM CONDUCTOR SIDE TO STIFFENER BOARD SIDE.  
 RECOMMENDED MATERIAL:  
 STIFFENER FILM : POLYIMIDE  
 BONDING AGENT : THERMOSETTING BONDING AGENT

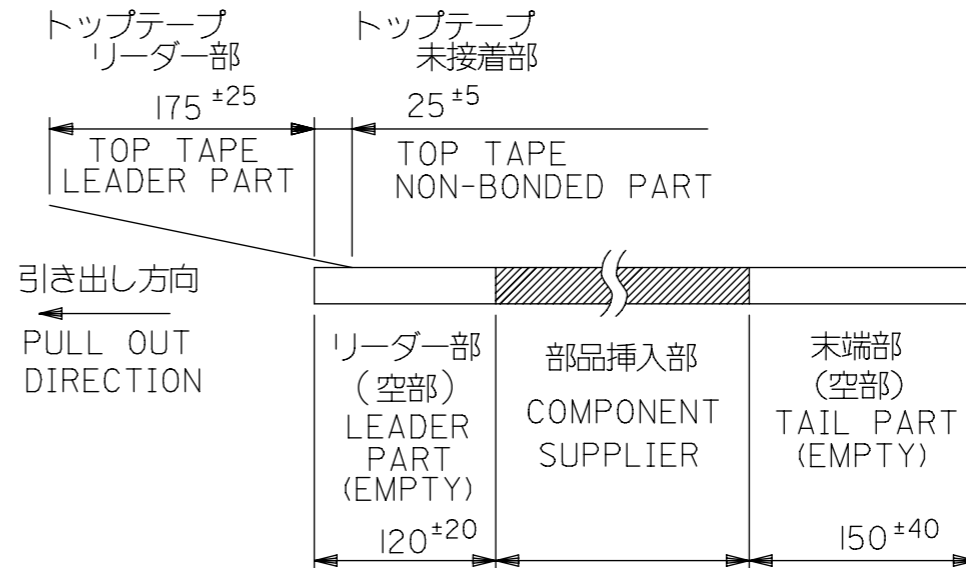


THIS DRAWING CONTAINS INFORMATION THAT IS PROPRIETARY TO MOLEX ELECTRONIC TECHNOLOGIES, LLC AND SHOULD NOT BE USED WITHOUT WRITTEN PERMISSION		CURRENT REV DESC:		<b>molex</b>	
DIMENSION UNITS	SCALE				
mm	NTS			0.5 FPC CONN. ZIF FOR SMT R/A (BOTTOM CONTACT) TIN-BISMUTH PLATING	
GENERAL TOLERANCES (UNLESS SPECIFIED)		EC NO: 719890		PRODUCT CUSTOMER DRAWING	
ANGULAR TOL ± °		DRWN: NARENC 2022/08/23		DOCUMENT NUMBER	
4 PLACES ±		CHK'D: SMARUYAMA 2022/09/05		DOC TYPE DOC PART REVISION	
3 PLACES ±		APPR: YNAITO 2022/09/05		SD-52437-017	
2 PLACES ±		INITIAL REVISION:		PSD 001 F	
1 PLACE ±		DRWN: YSAKIYAMA 2004/01/16		MATERIAL NUMBER	
0 PLACES ±		APPR: MSASAO 2004/01/19		CUSTOMER	
DRAFT WHERE APPLICABLE MUST REMAIN WITHIN DIMENSIONS		THIRD ANGLE PROJECTION	DRAWING	SERIES	SHEET NUMBER
GENERAL TOLERANCES (UNLESS SPECIFIED)		ANGULAR	A3-SIZE	52437	2 OF 2
10 <sup>UNDER</sup>	±0.2			SEE SHEET 1	GENERAL MARKET
10 <sup>OVER</sup> 30 <sup>UNDER</sup>	±0.25				
30 <sup>OVER</sup>	±0.3				



注記 NOTES

- 製品番号 52437-\*\*26 の梱包状態はアクチュエータがロックした状態とする。  
詳細寸法については図面 SD-52437-017 を参照下さい。  
IN THE PACKAGE,ACTUATOR OF PART NO.52437-\*\*26 SHOULD BE LOCKED RE DETAILED DIMENSIONS,SEE SD-52437-017.
- 梱包数量：1000個/リール  
NUMBER OF CONNECTORS:1000PCS/REEL
- リードテープ長さ LEAD TAPE LENGTH



5. 材料 (MATERIAL)

キャリアテープ (CARRIER TAPE) : ポリプロピレン (POLYPROPYLENE)  
 トップテープ (TOPTAPE) : PET, PE, PEF  
 リール (REEL) : ポリスチレン (PS) <リサイクル材を含む>  
 POLYSTYREN (PS) <RECYCLE MATERIAL CONTAINED>

6. 本製品は 52437-\*\*91 の鉛フリー品である。

THIS PRODUCT IS LEAD FREE OF 52437-\*\*91.

4. トップテープの剥離強度：(剥離方向は下図参照)

0. 1N~1. 3N {10gf~130gf} 尚、本規格値は、出荷時に適用。

(但し、輸送時に剥離が発生しない事。)

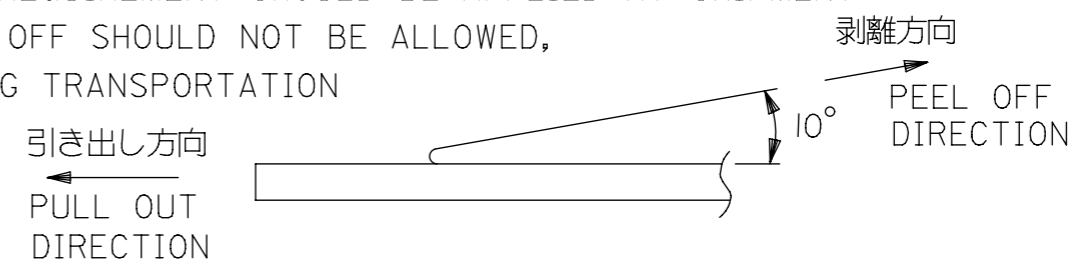
PEELING OFF FORCE OF TOP TAPE

0.1N ~1.3N{10gf ~130gf}(PEELING DIRECTION AS SHOWN IN FOLLOWING FIG.)

THIS REQUIREMENT SHOULD BE APPLIED AT SHIPMENT

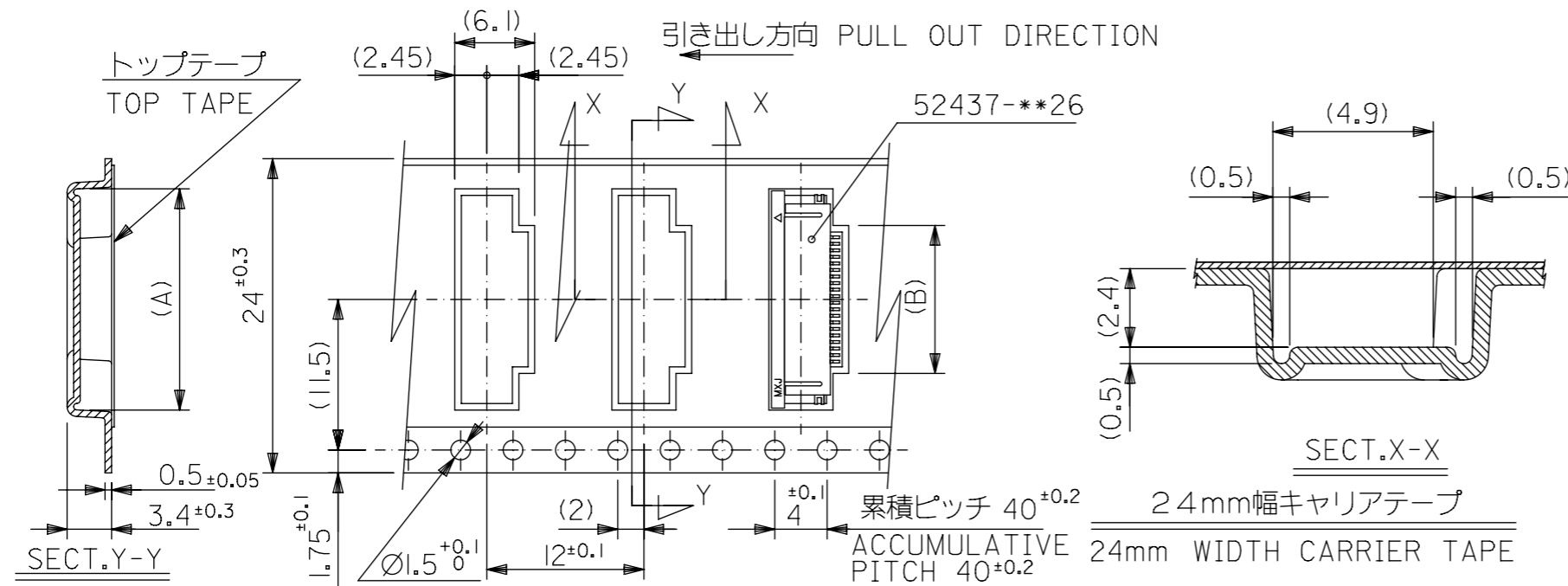
PEEL OFF SHOULD NOT BE ALLOWED,

DURING TRANSPORTATION

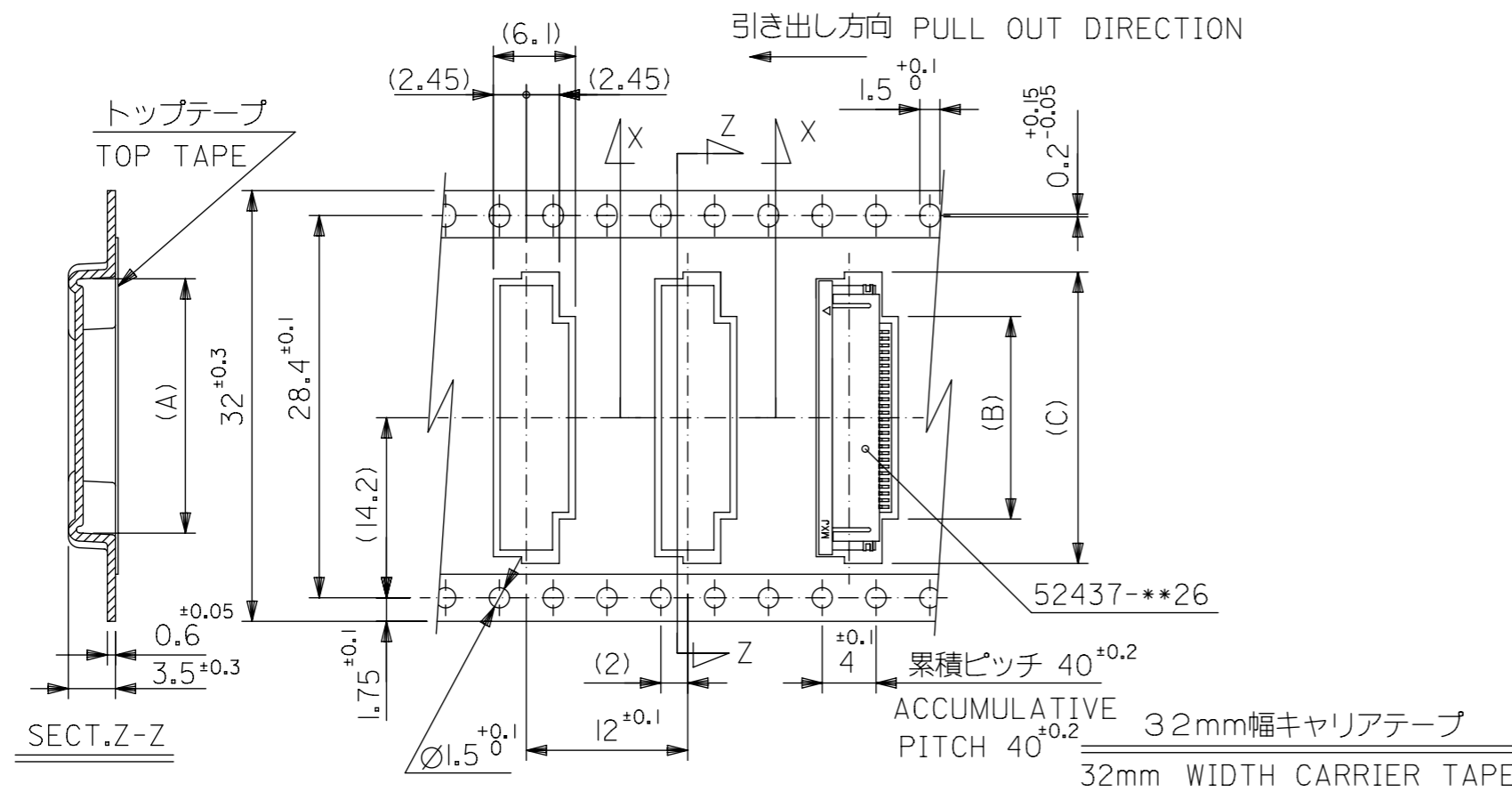


THIS DRAWING CONTAINS INFORMATION THAT IS PROPRIETARY TO MOLEX ELECTRONIC TECHNOLOGIES, LLC AND SHOULD NOT BE USED WITHOUT WRITTEN PERMISSION		CURRENT REV DESC:		<b>molex</b>	
DIMENSION UNITS	SCALE				
mm	NTS			0.5 FPC CONN ZIF SMT RA EMBSTP PKG -LEAD FREE-	
GENERAL TOLERANCES (UNLESS SPECIFIED)		GENERAL TOLERANCES (UNLESS SPECIFIED)		PRODUCT CUSTOMER DRAWING	
ANGULAR TOL ±		ANGULAR TOL ±		DOCUMENT NUMBER	
4 PLACES ±		4 PLACES ±		SD-52437-018	
3 PLACES ±		3 PLACES ±		DOC TYPE	
2 PLACES ±		2 PLACES ±		PSD	
1 PLACE ±		1 PLACE ±		DOC PART	
0 PLACES ±		0 PLACES ±		001	
DRAFT WHERE APPLICABLE MUST REMAIN WITHIN DIMENSIONS		THIRD ANGLE PROJECTION		REVISION	
				B	
DRAWING		SERIES		MATERIAL NUMBER	
A3-SIZE		52437		CUSTOMER	
				GENERAL MARKET	
				SHEET NUMBER	
				1 OF 3	

GENERAL TOLERANCES (UNLESS SPECIFIED)	
10 <sup>UNDER</sup>	±0.2
10 <sup>OVER</sup> 30 <sup>UNDER</sup>	±0.25
30 <sup>OVER</sup>	±0.3
ANGULAR	±3°



24	29.4	25.4	11.8	17.4	52437-2172	21
キャリアテープ幅 CARRIER TAPE WIDTH	E	D	(B)	(A)	MATERIAL NO.	極数 CIRCUIT



32	37.4	33.4	22.4	15.8	21.4	52437-2972	29
			21.9	15.3	20.9	-2872	28
			21.4	14.8	20.4	-2772	27
			20.9	14.3	19.9	-2672	26
			20.4	13.8	19.4	-2572	25
			19.9	13.3	18.9	-2472	24
			19.4	12.8	18.4	-2372	23
			18.9	12.3	17.9	52437-2272	22
キャリアテープ幅 CARRIER TAPE WIDTH	E	D	(C)	(B)	(A)	MATERIAL NO.	極数 CIRCUIT

THIS DRAWING CONTAINS INFORMATION THAT IS PROPRIETARY TO MOLEX ELECTRONIC TECHNOLOGIES, LLC AND SHOULD NOT BE USED WITHOUT WRITTEN PERMISSION

DIMENSION UNITS	SCALE	CURRENT REV DESC.	<b>molex</b>		
mm	NTS				
GENERAL TOLERANCES (UNLESS SPECIFIED)			0.5 FPC CONN ZIF SMT RA EMBSTP PKG -LEAD FREE-		
ANGULAR TOL ±			PRODUCT CUSTOMER DRAWING		
4 PLACES	±	EC NO: 719890	DOCUMENT NUMBER		
3 PLACES	±	DRWN: NARENC	DOC TYPE DOC PART REVISION		
2 PLACES	±	CHK'D: SMARUYAMA	SD-52437-018		
1 PLACE	±	APPR: YNAITO	PSD 001 B		
0 PLACES	±	INITIAL REVISION:	SHEET NUMBER		
DRAFT WHERE APPLICABLE MUST REMAIN WITHIN DIMENSIONS			2 OF 3		

GENERAL TOLERANCES (UNLESS SPECIFIED)	
10 <sup>UNDER</sup>	±0.2
10 <sup>OVER</sup> 30 <sup>UNDER</sup>	±0.25
30 <sup>OVER</sup>	±0.3
ANGULAR	±3°

