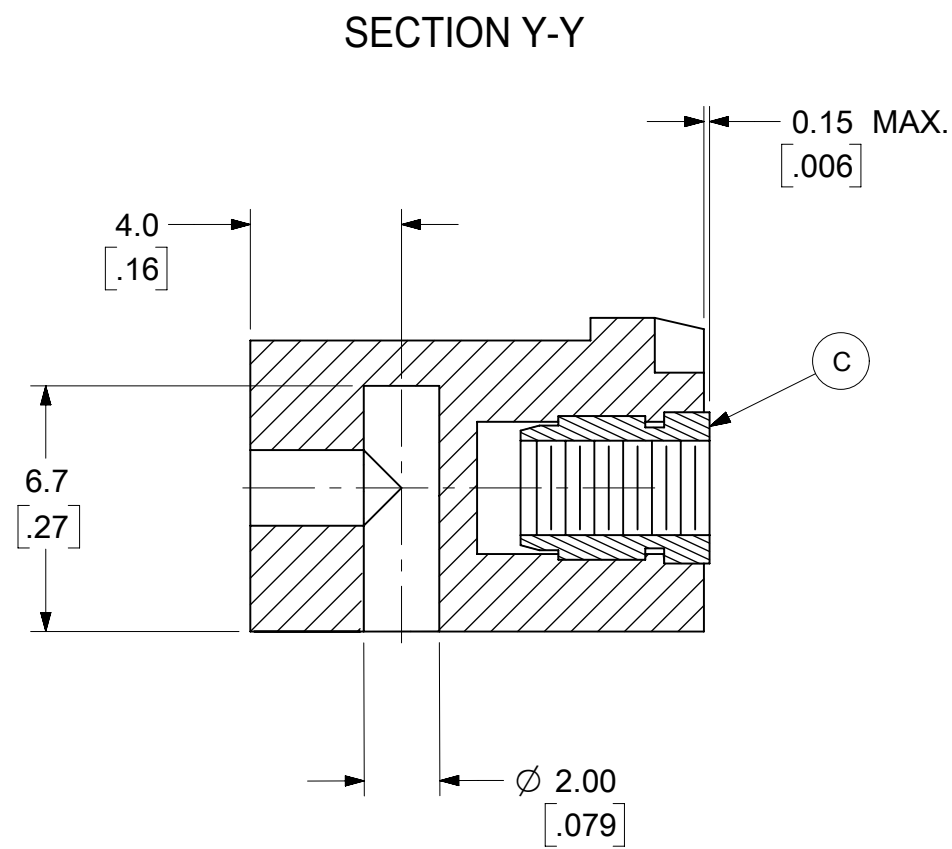
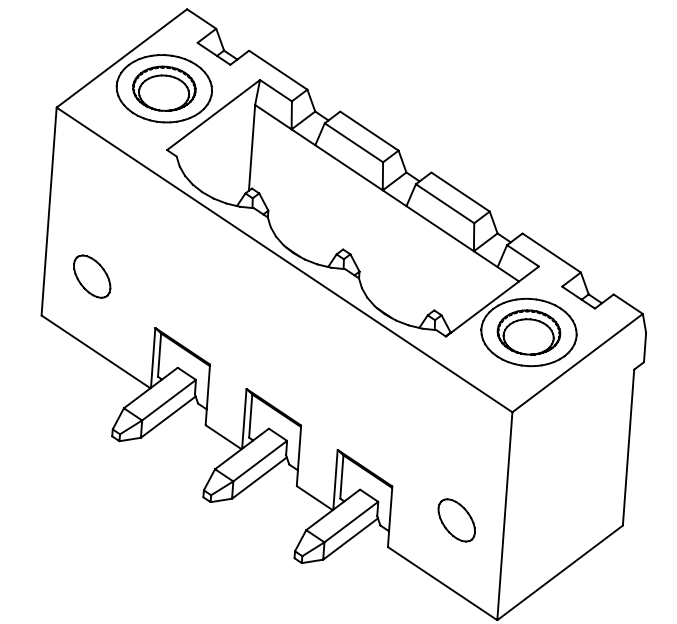
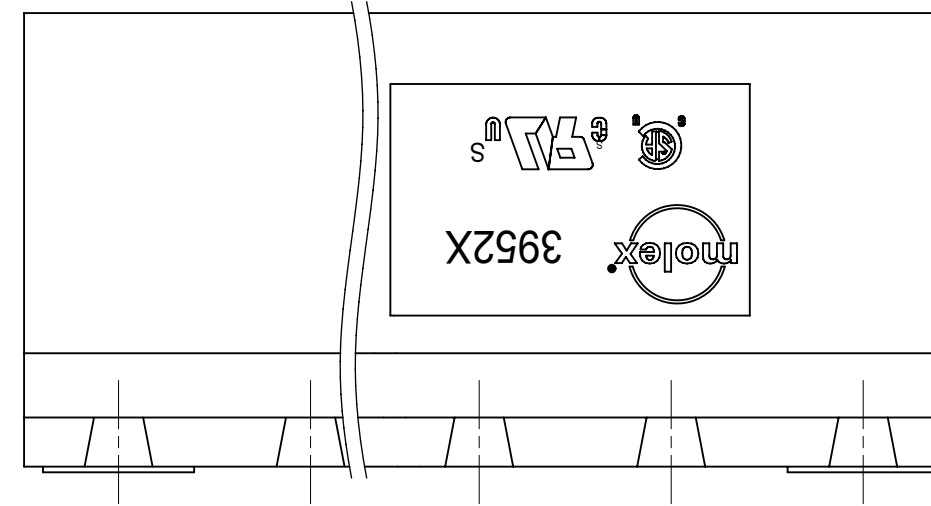
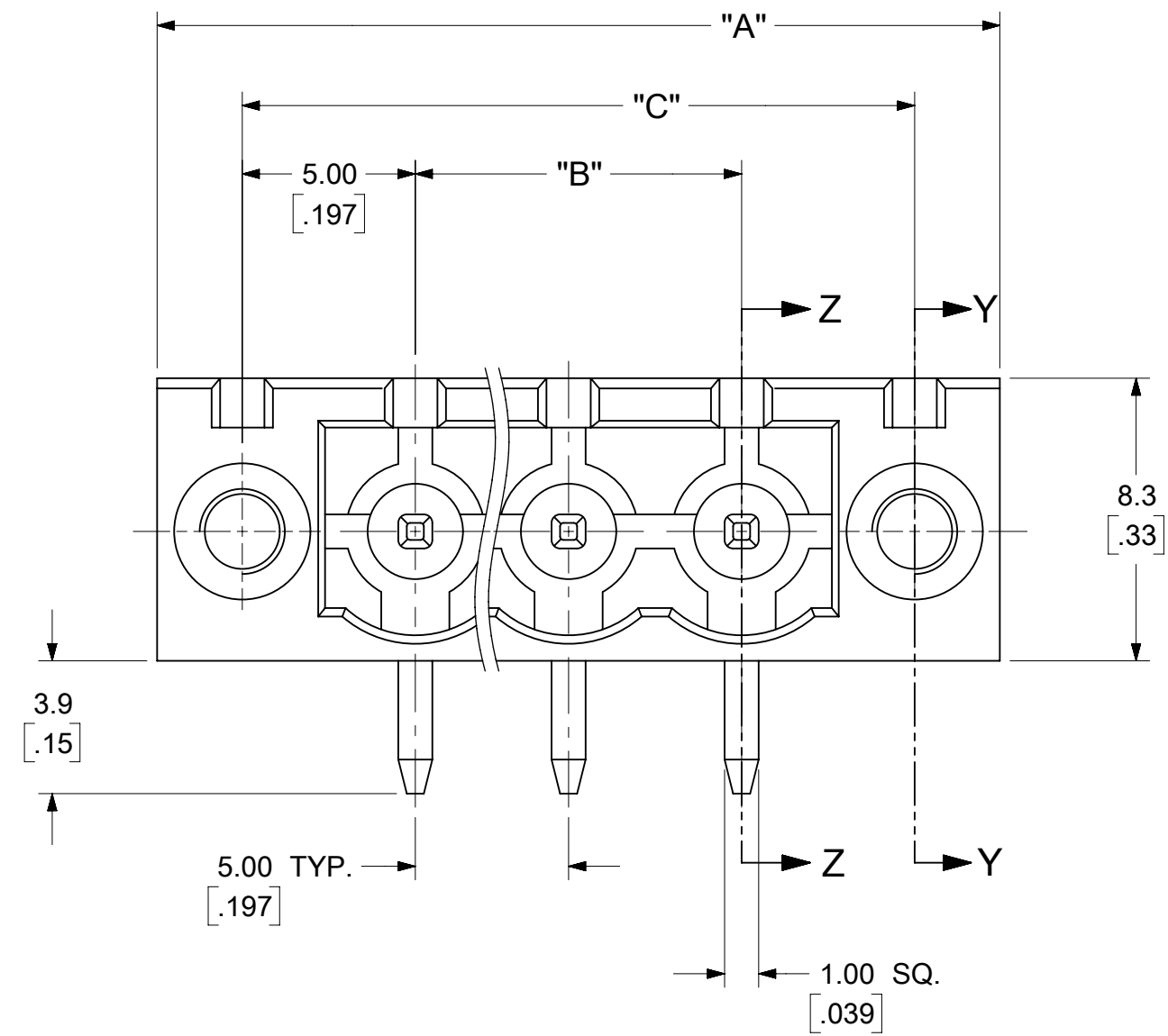
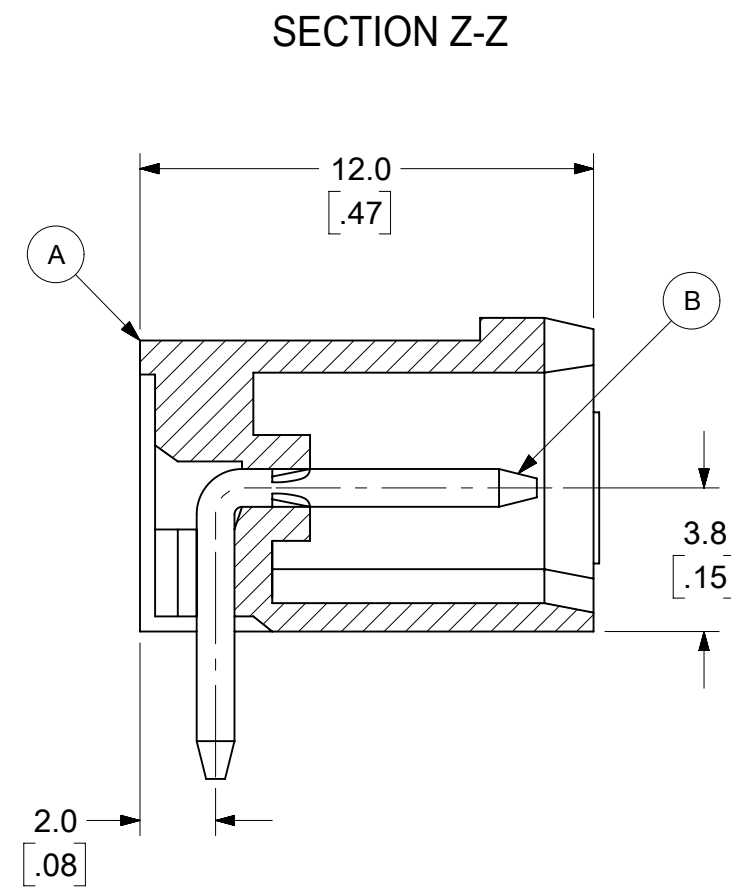


PCB LAYOUT



FOR ST 2.9  
(2.9mm SELF TAPPING SCREW)



SPECIFICATIONS:

1. MATERIAL:

- (A). BODY: PA66 (UL94-V0)
- (B). PIN MATERIAL: BRASS

PIN FINISH:

- TIN - 3  $\mu$ m (118  $\mu$ in) MIN MATTE TIN
- OVER 2  $\mu$ m (79  $\mu$ in) MIN NICKEL
- GOLD - 0.76  $\mu$ m (30  $\mu$ in) MIN GOLD IN CONTACT AREA, 3  $\mu$ m (118  $\mu$ in) MIN MATTE TIN IN SOLDER AREA.
- 2  $\mu$ m (79  $\mu$ in) MIN NICKEL UNDERPLATE

(C). THREADED INSERT: BRASS

- 2. ELECTRICAL RATING: 300V, 18A (PER UL)
- 3. OPERATING TEMPERATURE: -40°C to +115°C.
- 4. INSULATION RESISTANCE: DC 500V, 500M $\Omega$ .
- 5. DIELECTRIC WITHSTAND: AC 2500V FOR 1 MINUTE.
- 6. BREAKDOWN VOLTAGE : 4000V.

TOLERANCES

| MM      | TOL   | INCH      | TOL   |
|---------|-------|-----------|-------|
| 0-6     | ±0.25 | 0-.24     | ±.010 |
| >6-30   | ±0.40 | .24-1.18  | ±.016 |
| >30-120 | ±0.50 | 1.18-4.76 | ±.020 |
| >120    | ±0.80 | >4.76     | ±.031 |

|  |   |                        |   |             |                |  |          |                     |          |
|--|---|------------------------|---|-------------|----------------|--|----------|---------------------|----------|
| FUNCTIONAL SYMBOLS                                   | THIS DRAWING CONTAINS INFORMATION THAT IS PROPRIETARY TO MOLEX ELECTRONIC TECHNOLOGIES, LLC AND SHOULD NOT BE USED WITHOUT WRITTEN PERMISSION |                        |   |             |                |  |          |                     |          |
|  | DIMENSION UNITS   | SCALE                  | CURRENT REV DESC: MODIFIED SPECIFICATIONS |             |                |  |          |                     |          |
| $F_A = 0$  | MM/INCH   | 5:1                    |   |             |                |  |          |                     |          |
| $F_C = 0$  | GENERAL TOLERANCES (UNLESS SPECIFIED)   |                        |   |             |                |  |          |                     |          |
| DIVISIONAL SYMBOLS                                   | 4 PLACES  | ±                      | ---                                       | ±           | ---            | EC NO: 735568<br>DRWN: ABENJAMINLW 2023/01/06<br>CHK'D: DACHAMMER 2023/01/17<br>APPR: JFMURPHY 2023/01/27<br>INITIAL REVISION:<br>DRWN: LROTHAUS 2006/01/09<br>APPR: JPAWLICK 2006/01/10 |          |                     |          |
|  | 3 PLACES  | ±                      | ---                                       | ±           | SEE CHART      |  |          |                     |          |
|  | 2 PLACES  | ±                      | SEE CHART                                 | ±           | SEE CHART      |  |          |                     |          |
|  | 1 PLACE   | ±                      | SEE CHART                                 | ±           | ---            |  |          |                     |          |
|  | 0 PLACES  | ±                      | ---                                       | ±           | ---            |  |          |                     |          |
| ANGULAR TOL  |   | ±                      | ---                                       | ---         |                |  |          |                     |          |
| DRAFT WHERE APPLICABLE MUST REMAIN WITHIN DIMENSIONS |   | THIRD ANGLE PROJECTION |   | DRAWING     | SERIES         | DOCUMENT NUMBER  | DOC TYPE | DOC PART            | REVISION |
|  |   |                        |   | C-SIZE      | 39526          | SD-39526-002   | PSD      | 001                 | B3       |
|  |   |                        |   | SEE SHEET 2 | GENERAL MARKET |  |          | SHEET NUMBER 1 OF 2 |          |

| DESCRIPTION                                     |      | MATERIAL NUMBERS |                  |           |            |                  |           |           |                  |           |            |                  |           | DIMENSIONAL INFORMATION |       |          |       |          |       |
|---|------|------------------|------------------|-----------|------------|------------------|-----------|-----------|------------------|-----------|------------|------------------|-----------|-------------------------|-------|----------|-------|----------|-------|
|   |      | BLACK            |                  |           |            |                  |           | GREEN     |                  |           |            |                  |           |                         |       |          |       |          |       |
|   |      | 100% TIN         |                  |           | 30 u" GOLD |                  |           | 100% TIN  |                  |           | 30 u" GOLD |                  |           | DIM. "A"                |       | DIM. "B" |       | DIM. "C" |       |
|   |      | CIRCUIT SIZE     | PRINTING OPTIONS |           |            | PRINTING OPTIONS |           |           | PRINTING OPTIONS |           |            | PRINTING OPTIONS |           |                         | mm    | inch     | mm    | inch     | mm    |
| None  | 10AV |                  | 11AV             | None      | 10AV       | 11AV             | None      | 10AV      | 11AV             | None      | 10AV       | 11AV             | mm        | inch                    | mm    | inch     | mm    | inch     |       |
| 5.0 MM, EURO HEADER, RIGHT ANGLE, MOUNTING ENDS | 2    | 395260002        | 395260102        | 395260202 | 395260502  | 395260602        | 395260702 | 395265002 | 395265102        | 395265202 | 395265502  | 395265602        | 395265702 | 20.00                   | .787  | 5.00     | .197  | 15.00    | .591  |
| 5.0 MM, EURO HEADER, RIGHT ANGLE, MOUNTING ENDS | 3    | 395260003        | 395260103        | 395260203 | 395260503  | 395260603        | 395260703 | 395265003 | 395265103        | 395265203 | 395265503  | 395265603        | 395265703 | 25.00                   | .984  | 10.00    | .394  | 20.00    | .787  |
| 5.0 MM, EURO HEADER, RIGHT ANGLE, MOUNTING ENDS | 4    | 395260004        | 395260104        | 395260204 | 395260504  | 395260604        | 395260704 | 395265004 | 395265104        | 395265204 | 395265504  | 395265604        | 395265704 | 30.00                   | 1.181 | 15.00    | .591  | 25.00    | .984  |
| 5.0 MM, EURO HEADER, RIGHT ANGLE, MOUNTING ENDS | 5    | 395260005        | 395260105        | 395260205 | 395260505  | 395260605        | 395260705 | 395265005 | 395265105        | 395265205 | 395265505  | 395265605        | 395265705 | 35.00                   | 1.378 | 20.00    | .787  | 30.00    | 1.181 |
| 5.0 MM, EURO HEADER, RIGHT ANGLE, MOUNTING ENDS | 6    | 395260006        | 395260106        | 395260206 | 395260506  | 395260606        | 395260706 | 395265006 | 395265106        | 395265206 | 395265506  | 395265606        | 395265706 | 40.00                   | 1.575 | 25.00    | .984  | 35.00    | 1.378 |
| 5.0 MM, EURO HEADER, RIGHT ANGLE, MOUNTING ENDS | 7    | 395260007        | 395260107        | 395260207 | 395260507  | 395260607        | 395260707 | 395265007 | 395265107        | 395265207 | 395265507  | 395265607        | 395265707 | 45.00                   | 1.772 | 30.00    | 1.181 | 40.00    | 1.575 |
| 5.0 MM, EURO HEADER, RIGHT ANGLE, MOUNTING ENDS | 8    | 395260008        | 395260108        | 395260208 | 395260508  | 395260608        | 395260708 | 395265008 | 395265108        | 395265208 | 395265508  | 395265608        | 395265708 | 50.00                   | 1.969 | 35.00    | 1.378 | 45.00    | 1.772 |
| 5.0 MM, EURO HEADER, RIGHT ANGLE, MOUNTING ENDS | 9    | 395260009        | 395260109        | 395260209 | 395260509  | 395260609        | 395260709 | 395265009 | 395265109        | 395265209 | 395265509  | 395265609        | 395265709 | 55.00                   | 2.165 | 40.00    | 1.575 | 50.00    | 1.969 |
| 5.0 MM, EURO HEADER, RIGHT ANGLE, MOUNTING ENDS | 10   | 395260010        | 395260110        | 395260210 | 395260510  | 395260610        | 395260710 | 395265010 | 395265110        | 395265210 | 395265510  | 395265610        | 395265710 | 60.00                   | 2.362 | 45.00    | 1.772 | 55.00    | 2.165 |
| 5.0 MM, EURO HEADER, RIGHT ANGLE, MOUNTING ENDS | 11   | 395260011        | 395260111        | 395260211 | 395260511  | 395260611        | 395260711 | 395265011 | 395265111        | 395265211 | 395265511  | 395265611        | 395265711 | 65.00                   | 2.559 | 50.00    | 1.969 | 60.00    | 2.362 |
| 5.0 MM, EURO HEADER, RIGHT ANGLE, MOUNTING ENDS | 12   | 395260012        | 395260112        | 395260212 | 395260512  | 395260612        | 395260712 | 395265012 | 395265112        | 395265212 | 395265512  | 395265612        | 395265712 | 70.00                   | 2.756 | 55.00    | 2.165 | 65.00    | 2.559 |
| 5.0 MM, EURO HEADER, RIGHT ANGLE, MOUNTING ENDS | 13   | 395260013        | 395260113        | 395260213 | 395260513  | 395260613        | 395260713 | 395265013 | 395265113        | 395265213 | 395265513  | 395265613        | 395265713 | 75.00                   | 2.953 | 60.00    | 2.362 | 70.00    | 2.756 |
| 5.0 MM, EURO HEADER, RIGHT ANGLE, MOUNTING ENDS | 14   | 395260014        | 395260114        | 395260214 | 395260514  | 395260614        | 395260714 | 395265014 | 395265114        | 395265214 | 395265514  | 395265614        | 395265714 | 80.00                   | 3.150 | 65.00    | 2.559 | 75.00    | 2.953 |
| 5.0 MM, EURO HEADER, RIGHT ANGLE, MOUNTING ENDS | 15   | 395260015        | 395260115        | 395260215 | 395260515  | 395260615        | 395260715 | 395265015 | 395265115        | 395265215 | 395265515  | 395265615        | 395265715 | 85.00                   | 3.346 | 70.00    | 2.756 | 80.00    | 3.150 |
| 5.0 MM, EURO HEADER, RIGHT ANGLE, MOUNTING ENDS | 16   | 395260016        | 395260116        | 395260216 | 395260516  | 395260616        | 395260716 | 395265016 | 395265116        | 395265216 | 395265516  | 395265616        | 395265716 | 90.00                   | 3.543 | 75.00    | 2.953 | 85.00    | 3.346 |
| 5.0 MM, EURO HEADER, RIGHT ANGLE, MOUNTING ENDS | 17   | 395260017        | 395260117        | 395260217 | 395260517  | 395260617        | 395260717 | 395265017 | 395265117        | 395265217 | 395265517  | 395265617        | 395265717 | 95.00                   | 3.740 | 80.00    | 3.150 | 90.00    | 3.543 |
| 5.0 MM, EURO HEADER, RIGHT ANGLE, MOUNTING ENDS | 18   | 395260018        | 395260118        | 395260218 | 395260518  | 395260618        | 395260718 | 395265018 | 395265118        | 395265218 | 395265518  | 395265618        | 395265718 | 100.00                  | 3.937 | 85.00    | 3.346 | 95.00    | 3.740 |
| 5.0 MM, EURO HEADER, RIGHT ANGLE, MOUNTING ENDS | 19   | 395260019        | 395260119        | 395260219 | 395260519  | 395260619        | 395260719 | 395265019 | 395265119        | 395265219 | 395265519  | 395265619        | 395265719 | 105.00                  | 4.134 | 90.00    | 3.543 | 100.00   | 3.937 |
| 5.0 MM, EURO HEADER, RIGHT ANGLE, MOUNTING ENDS | 20   | 395260020        | 395260120        | 395260220 | 395260520  | 395260620        | 395260720 | 395265020 | 395265120        | 395265220 | 395265520  | 395265620        | 395265720 | 110.00                  | 4.331 | 95.00    | 3.740 | 105.00   | 4.134 |
| 5.0 MM, EURO HEADER, RIGHT ANGLE, MOUNTING ENDS | 21   | 395260021        | 395260121        | 395260221 | 395260521  | 395260621        | 395260721 | 395265021 | 395265121        | 395265221 | 395265521  | 395265621        | 395265721 | 115.00                  | 4.528 | 100.00   | 3.937 | 110.00   | 4.331 |
| 5.0 MM, EURO HEADER, RIGHT ANGLE, MOUNTING ENDS | 22   | 395260022        | 395260122        | 395260222 | 395260522  | 395260622        | 395260722 | 395265022 | 395265122        | 395265222 | 395265522  | 395265622        | 395265722 | 120.00                  | 4.724 | 105.00   | 4.134 | 115.00   | 4.528 |
| 5.0 MM, EURO HEADER, RIGHT ANGLE, MOUNTING ENDS | 23   | 395260023        | 395260123        | 395260223 | 395260523  | 395260623        | 395260723 | 395265023 | 395265123        | 395265223 | 395265523  | 395265623        | 395265723 | 125.00                  | 4.921 | 110.00   | 4.331 | 120.00   | 4.724 |
| 5.0 MM, EURO HEADER, RIGHT ANGLE, MOUNTING ENDS | 24   | 395260024        | 395260124        | 395260224 | 395260524  | 395260624        | 395260724 | 395265024 | 395265124        | 395265224 | 395265524  | 395265624        | 395265724 | 130.00                  | 5.118 | 115.00   | 4.528 | 125.00   | 4.921 |

| TOLERANCES |       |           |       |
|------------|-------|-----------|-------|
| MM         | TOL   | INCH      | TOL   |
| 0-6        | ±0.25 | 0-.24     | ±.010 |
| >6-30      | ±0.40 | .24-1.18  | ±.016 |
| >30-120    | ±0.50 | 1.18-4.76 | ±.020 |
| >120       | ±0.80 | >4.76     | ±.031 |

|  |   |             |           |   |        |                |              |                 |          |          |          |  |  |
|--|---|-------------|-----------|---|--------|----------------|--------------|-----------------|----------|----------|----------|--|--|
| FUNCTIONAL SYMBOLS                                   | THIS DRAWING CONTAINS INFORMATION THAT IS PROPRIETARY TO MOLEX ELECTRONIC TECHNOLOGIES, LLC AND SHOULD NOT BE USED WITHOUT WRITTEN PERMISSION |             |           |   |        |                |              |                 |          |          |          |  |  |
|  | DIMENSION UNITS   | SCALE       |           | CURRENT REV DESC: MODIFIED SPECIFICATIONS   |        |                |              |                 |          |          |          |  |  |
| $\frac{F}{A} = 0$                                    | MM/INCH   | 2:1         |           | EC NO: 735568<br>DRWN: ABENJAMINLW 2023/01/06<br>CHK'D: DACHAMMER 2023/01/17<br>APPR: JFMURPHY 2023/01/27 |        |                |              |                 |          |          |          |  |  |
| $\frac{F}{C} = 0$                                    | GENERAL TOLERANCES (UNLESS SPECIFIED)   |             |           |   |        |                |              |                 |          |          |          |  |  |
| DIVISIONAL SYMBOLS                                   | $\frac{F}{P} = 0$   | MM          | INCH      | INITIAL REVISION:<br>DRWN: LROTHAUS 2006/01/09<br>APPR: JPAWLICK 2006/01/10                               |        |                |              |                 |          |          |          |  |  |
|  | 4 PLACES  | ± --- ± --- |           |   |        |                |              |                 |          |          |          |  |  |
|  | 3 PLACES  | ± --- ± --- | SEE CHART |   |        |                |              |                 |          |          |          |  |  |
|  | 2 PLACES  | ± --- ± --- | SEE CHART |   |        |                |              |                 |          |          |          |  |  |
| 1 PLACE  | ± --- ± ---   |             |           |   |        |                |              |                 |          |          |          |  |  |
| 0 PLACES   | ± --- ± ---   |             |           |   |        |                |              |                 |          |          |          |  |  |
| ANGULAR TOL  | ± ---   |             |           | THIRD ANGLE PROJECTION  |        | DRAWING        | SERIES       | DOCUMENT NUMBER | DOC TYPE | DOC PART | REVISION |  |  |
| DRAFT WHERE APPLICABLE MUST REMAIN WITHIN DIMENSIONS |   |             |           |   | C-SIZE | 39526          | SD-39526-002 | PSD             | 001      | B3       |          |  |  |
|  |   |             |           | MATERIAL NUMBER   |        | CUSTOMER       |              | SHEET NUMBER    |          |          |          |  |  |
|  |   |             |           | SEE CHART   |        | GENERAL MARKET |              | 2 OF 2          |          |          |          |  |  |