

TREK-520

RISC Compact In-vehicle Computing Box for Fleet Management



Features

- TI Cortex-A8 AM37X Series SOC
- Support WinCE 6.0 & Embedded Linux (by project-based)
- Vehicle diagnostic interface with configurable protocols support: CAN (J1939, OBD-II/ISO-15765) and J1708 (J1587)
- Built-in GNSS, WLAN, Bluetooth and WWAN
- Built-in backup battery for roadside assistance and emergency (by project-based)
- Intelligent Vehicle Power Management: Ignition on/off delay, wake up event controls and system health monitoring and diagnostic ^(*)
- Wide working temperature, 12/24V Car power system compliant (ISO 7637-2) and Anti-shock/vibration (MIL-STD-810G & 5M3)
- IP54 available with IP protection box

Introduction

TREK-520 is a RISC box Mobile Data Terminal (MDT). The radio frequency options and low power consumption make TREK-520 suitable for local fleet management, especially small trucks, local deliveries, government fleets and taxis. TREK-520 can operate in harsh environments and functions in extreme temperatures (-30° C ~ 70° C) using fluctuating car power and resists shock and vibration. With a suspend/wakeup feature, TREK-520 supports a 24/7 monitoring mechanism with periodical, digital input & WWAN wakeup ^(*).

Specifications

Core	Processor	TI Cortex-A8 AM3703 (Single Core, 800MHz); AM3715 (Single Core, 1GHz) by project-based
	Memory	512MB LPDDR on board; 1GB LPDDR by project-based
	Graphic	POWERVR SGX™ Graphics Accelerator of OpenGL ES 1.1/2.0, OpenVG1.0 by project-based
	O.S	WinCE 6.0 R3 core version; Linux V2.6.37 by project-based
Storage	SD Card	1 x internal non-accessible 4GB SD, support system boot up 1 x external accessible push-push type SD slot
Display	Smart Display Port ^(*)	12V/1A power output for TREK-303 1 x 18-bits LVDS (Resolution: 800 x 480) 1 x Line-Out ^(*) (For Speakers on TREK-30X) 2 x UART (TX/RX) (For T/S, Hot keys, brightness, light sensor control) 1 x USB 2.0 Type A 1 x PWR Button Signal 1 x Reset Button Signal
Sensor	G-Sensor	3-Axis ±2/±4/±8/±16 g
I/O	Reset Button	1 x Reset button
	Vehicle I/O Port	2 x CAN Bus (Support Raw CAN, J1939, OBD-II/ISO 15765; F/W configurable) 1 x J1708 (Support J1587) 2 x Isolated DI (Dry contact) 2 x Isolated DO (Open collector output, driving by replay)
	Standard I/O Port	1 x USB Client Mini-B 1 x USB 2.0 Host Type A 1 x SIM Card Slot 1 x High Speed Full RS-232, (Optional DB-9 Pin 9 with 12V/1A)
	Audio Jack	1 x MIC/Mono Line In 1 x Stereo Line Out
	LED	4 x LEDs (Power (Red), WLAN/BT (Green), WWAN (Green), GPS (Blue))
RF	WLAN + Bluetooth	IEEE 802.11 b/g/n + Bluetooth V2.1+EDR on board
	WWAN	HSPA+/UMTS, GSM/GPRS/EDGE: Telit HE-910D via mini PCIe slot CDMA, EV-DO: Telit DE-910 via mini PCIe slot
	GNSS	Build-in GlobalSat EB-5662RE module on board
	Antenna	3 x SMA type antenna hole for GPS/ WWAN/ WLAN+BT
Power	Voltage input	Supports 12/24 V car power system. (ISO 7637-2 & SAE J1113 compliant.) 6V ~ 32V DC input without backup battery; 12V ~ 32V DC input with backup battery by project-based
	Intelligent Vehicle Power Management (iVPM 1.0)	System power on/off/suspend management (e.g. Programmable Ignition On/Off Time delay) Support Wake up Events: - Alarm (RTC) Wake up. - Wake up by Call/SMS. System power protection System healthy monitoring and diagnostic (e.g. Programmable Car_Battery_Low Protection)
	Backup battery	7.4V 2000mAh Li-ion battery by project-based

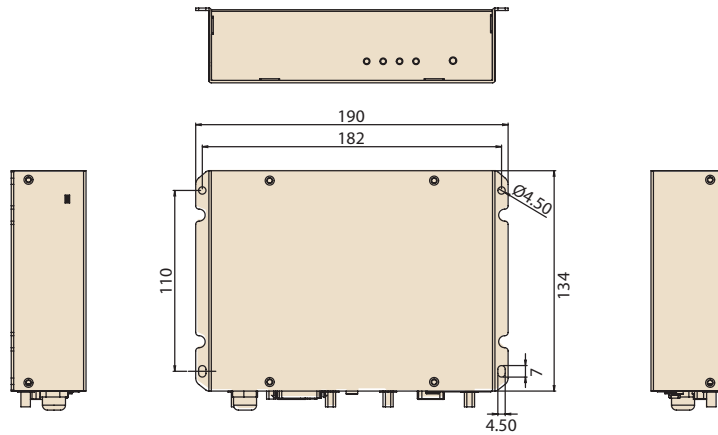
*1: Support single audio stream only. (i.e. The Line-Out interface in "Smart Display Port" and "Audio Jack" share the same audio path).

*2: Default is ok for TREK-303; TREK-306 (1024x768) by project-based.

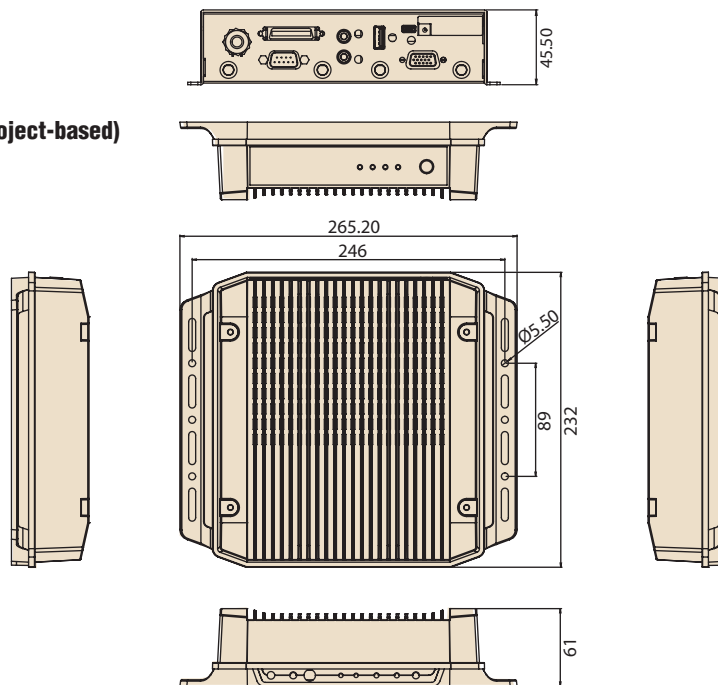
Dimensions

Unit: mm

TREK-520



IP protection box (by project-based)



Specifications Cont.

Mechanical	Dimensions (W x H x D)	Metal chassis: 190 x 45.5 x 134 mm IP protection box: 265.20 x 61 x 232 mm
	Weight	Metal chassis: 900 grams IP protection box: 1.2 kg
Environment	IP Rating	IP54 (with IP protection box)
	Vibration/Shock	MIL-STD-810G, EN60721-3(5M3)
	EMC	CE, FCC, CCC
	Safety	UL/cUL, CB
	Vehicle Regulation	E-Mark (E13) (12V/24V system), SAE J1455, ISO 7637-2, SAE J1113
	RF Regulation	CE (R&TTE), FCC ID
	Operating Temperature	-30° C ~ 70° C
Storage Temperature	-40° C ~ 85° C	

Ordering Information

Part Number	Description
TREK-520-CWBCEB0E	TREK-520 w/CDMA/GPS/WLAN/BT/4G SD/CE6
TREK-520-HWBCEA0E	TREK-520 w/HSPA+/GPS/WLAN/BT/4G SD/CE6

Optional Items

Part Number	Description
1700021847-01	M Cable D-SUB 15P(M)/D-SUB 9P(M)*3+D-SUB 15P 2M
9666074302E	19V adapter for TREK-743 test purposes