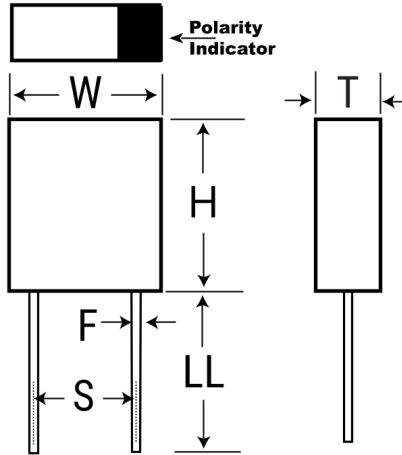


T370E336M010AS

T370, Tantalum, MnO₂ Tantalum, Commercial Grade, 33 uF, 20%, 10 VDC, 2.1 Ohms, Lead Spacing = 5.08mm



Click [here](#) for the 3D model.

| Dimensions | |
|------------|------------------|
| W | 5.84mm MAX |
| H | 7.87mm MAX |
| T | 3.3mm MAX |
| S | 5.08mm +/-0.64mm |
| LL | 19.1mm MIN |
| F | 0.41mm MAX |

| Packaging Specifications | |
|--------------------------|-----------|
| Packaging | Bulk, Bag |
| Packaging Quantity | 500 |

| General Information | |
|---------------------|--|
| Series | T370 |
| Dielectric | MnO ₂ Tantalum |
| Style | Radial Molded |
| Description | Radial, Solid Tantalum, Micro Miniature |
| Features | Micro Miniature |
| RoHS | No |
| Prop 65 | ⚠ WARNING: Cancer and reproductive harm - http://www.p65warnings.ca.gov . |
| SCIP Number | a3b4e2e1-63ea-439e-a89a-743225502a7d |
| Termination | Lead (SnPb) |
| AEC-Q200 | No |
| Construction | Molded |

| Specifications | |
|-----------------------|--|
| Capacitance | 33 uF |
| Capacitance Tolerance | 20% |
| Voltage DC | 10 VDC (85C), 7 VDC (125C), 0.1 VDC (125C Reverse) |
| Temperature Range | -55/+125°C |
| Dissipation Factor | 6% |
| Resistance | 2.1 Ohms (100kHz) |
| Leakage Current | 3 uA |

Statements of suitability for certain applications are based on our knowledge of typical operating conditions for such applications, but are not intended to constitute - and we specifically disclaim - any warranty concerning suitability for a specific customer application or use. This information is intended for use only by customers who have the requisite experience and capability to determine the correct products for their application. Any technical advice inferred from this information or otherwise provided by us with reference to the use of our products is given gratis, and we assume no obligation or liability for the advice given or results obtained.