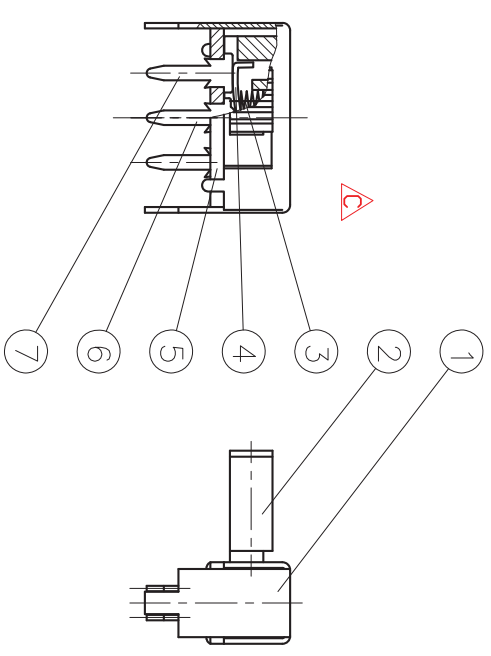
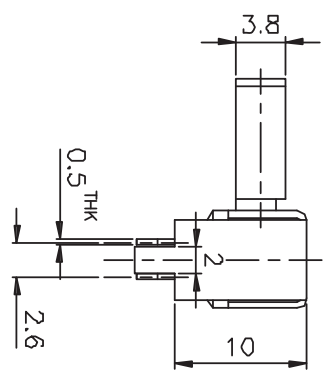
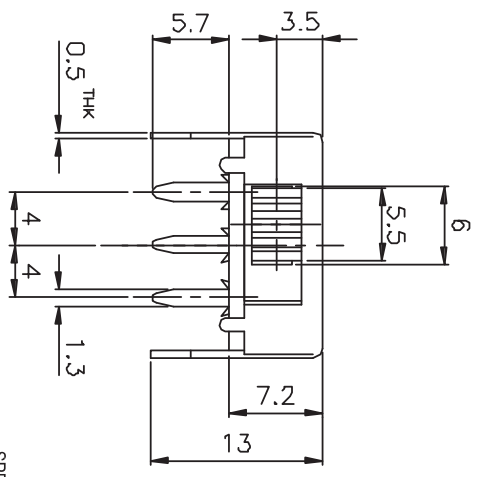


SCHEMATIC

| NO. | PARTS NO. | PARTS NAME | QTY. | MATERIAL | REMARK |
|-----|--------------------|---------------|------|---------------------------------|--------------|
| 7 | T-SK22F03-01 | TERMINAL | 4 | 0.50 ^{THK} BRASS PLATE | Ag PLATED |
| 6 | T-SK22F03-02 | TERMINAL | 2 | 0.50 ^{THK} BRASS PLATE | Ag PLATED |
| 5 | TB-SK22F01 | TERMINAL BASE | 1 | 1.2 ^{THK} P.C. BOARD | COLOR: BROWN |
| 4 | C-CP08 | CLIP | 2 | 0.45 ^{THK} COPPER WIRE | |
| 3 | 0-31x180x395(6.5)H | SPRING | 2 | MUSIC WIRE | |
| 2 | K-SK22F01 | KNOB | 1 | POM | COLOR: BLACK |
| 1 | S-SK22F03 | SHELL | 1 | 0.5 ^{THK} C.R.S. | Ni PLATED |



- SPECIFICATIONS:
1. RATING: DC 50V 0.5A
 2. CONTACT RESISTANCE: NOT MORE THAN 30mOhm(INITIAL)
 3. INSULATION RESISTANCE: 500MOhm AT 500V DC
 4. WITHSTAND VOLTAGE: AC 500V FOR 1 MINUTE
 5. OPERATION FORCE: 400± 200g
 6. SWITCHING LIFE: 10,000 CYCLES (6-100cm LOADING)
 7. ALL DIMS ARE IN mm

| ECN# | DATE | SYM | REVISION RECD |
|--------|----------|-----|------------------------------------------------------------------|
| 09-157 | 05/31/09 | C | ADDED COLOR OF TERMINAL AND ADDED MATERIAL SPECIFICATION |
| 07-151 | 03/16/07 | B | CHANGED THE PART TO NEW PRINT&CHANGED THE PART TO ROHS COMPLIANT |
| 05-164 | 04/01/05 | A | REVISED DWG. SEE VOID COPY AND ADDED SHEET 2 OF 2 |

| | | | |
|------------------|----|---------|---------------------|
| PROJECTION | DR | DATE | REF. |
| SCALE | SL | 10/1/02 | P/N: SK-22F03-G7-NL |
| TOLERANCE | CK | PRE- | DRAWING NO. 0896 |
| EXCEPT AS NOTED | SL | SW | SIZE A |
| DEC. MILLIMETERS | SL | SW | REV. C |
| ±0.2 | | | |

RD1 Inc. 333 North Bedford Road, Suite 135, Mount Kisco, NY 10549

RD1 Research Develop Innovate

TITLE: SLIDE SWITCH-ROHS COMPLIANT

THIS DOCUMENT IS OWNED BY AND THE INFORMATION CONTAINED IN IT IS PROPRIETARY TO RD1. BY RECEIPT HEREOF THE HOLDER AGREES NOT TO USE THE INFORMATION AND NOT TO DISCLOSE IT TO ANY THIRD PARTY, NOR REPRODUCE THIS DOCUMENT WITHOUT THE WRITTEN CONSENT OF RD1, AND AGREES TO RETURN THIS DOCUMENT FORTHWITH UPON REQUEST.