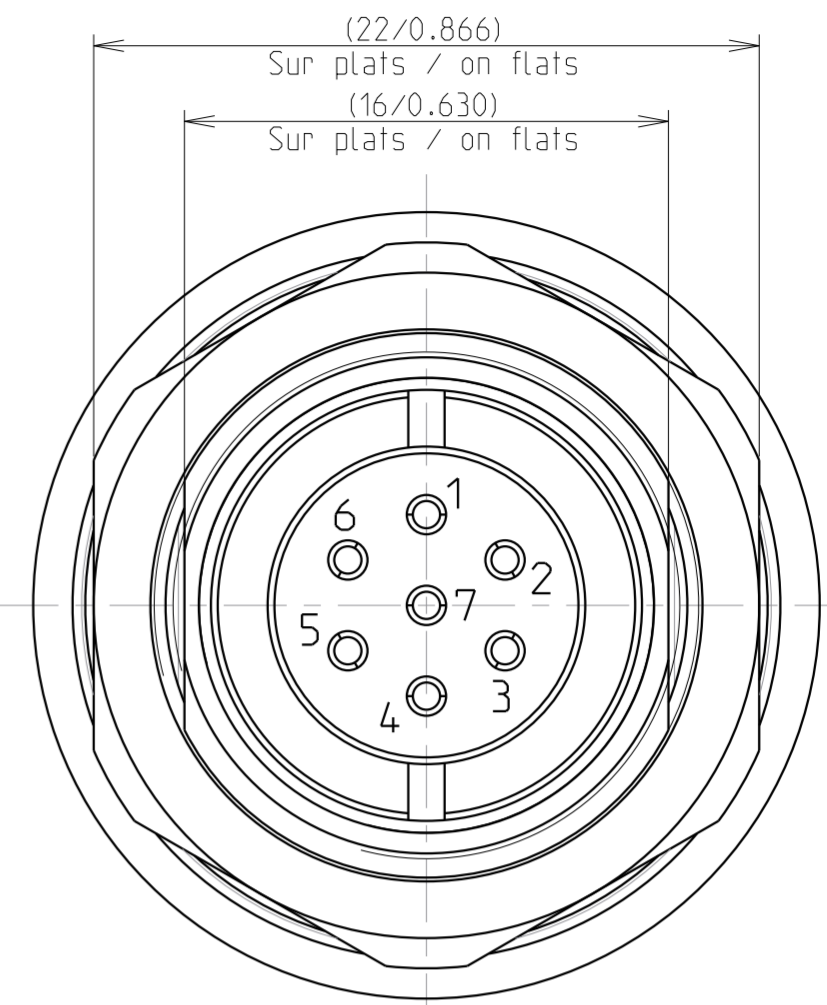
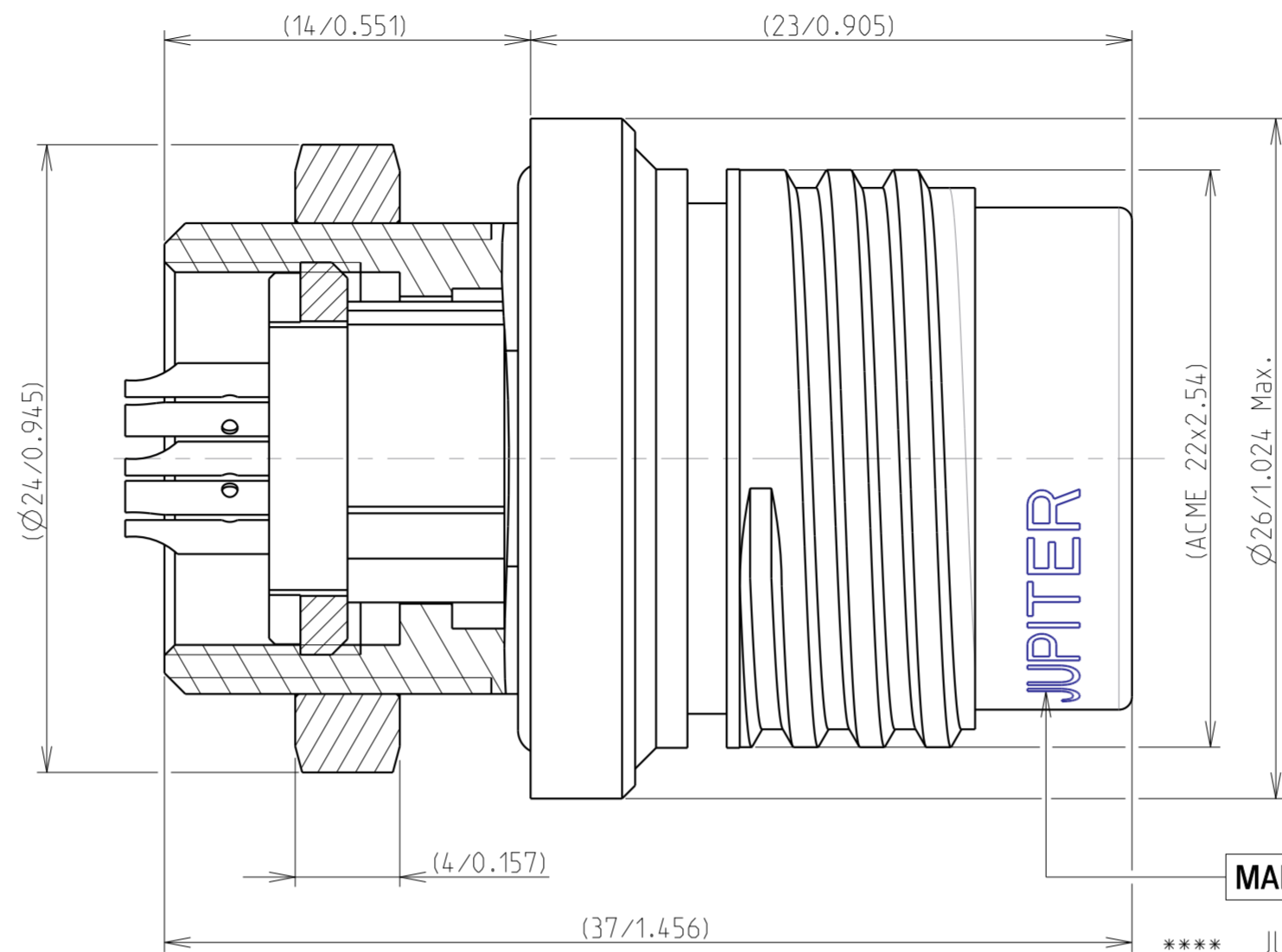
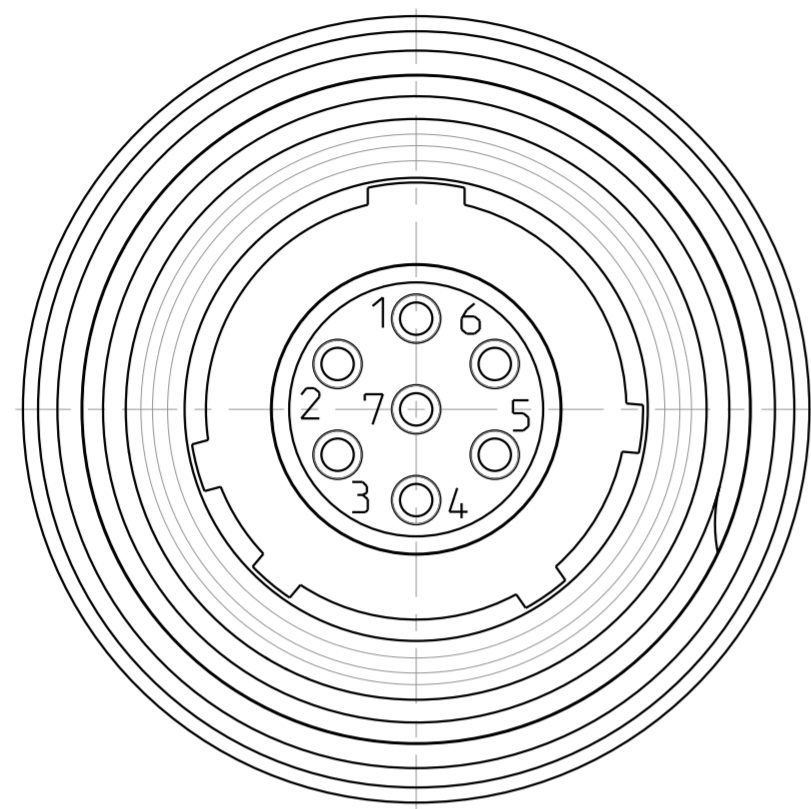


Country	Jurisdiction & Control List
FR	NOT LISTED

	critical dimension
	major dimension



**MARQUAGE/MARKING**

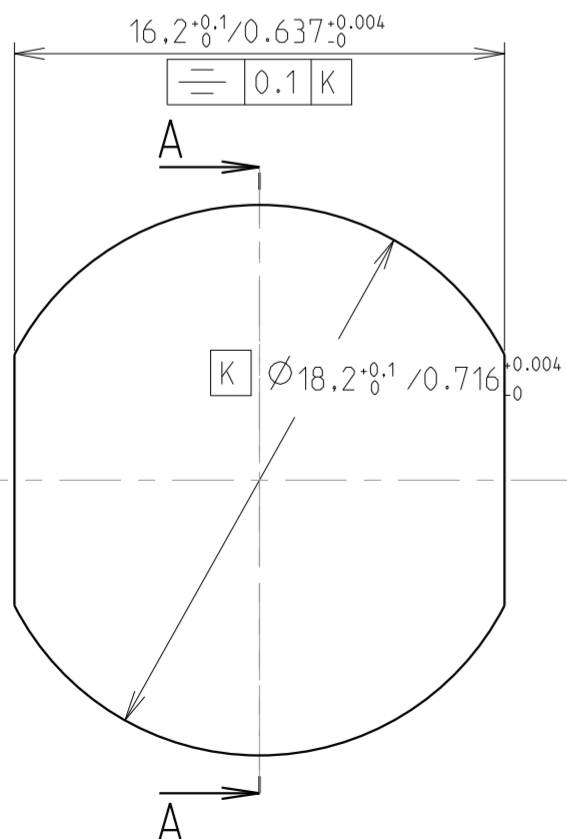
\*\*\*\* JUPITER FR RER10PL  
 — SEMAINE/WEEK  
 — ANNEE/YEAR

**REFERENCE COMMERCIALE  
 PART NUMBER**

RER10PLN0720Y

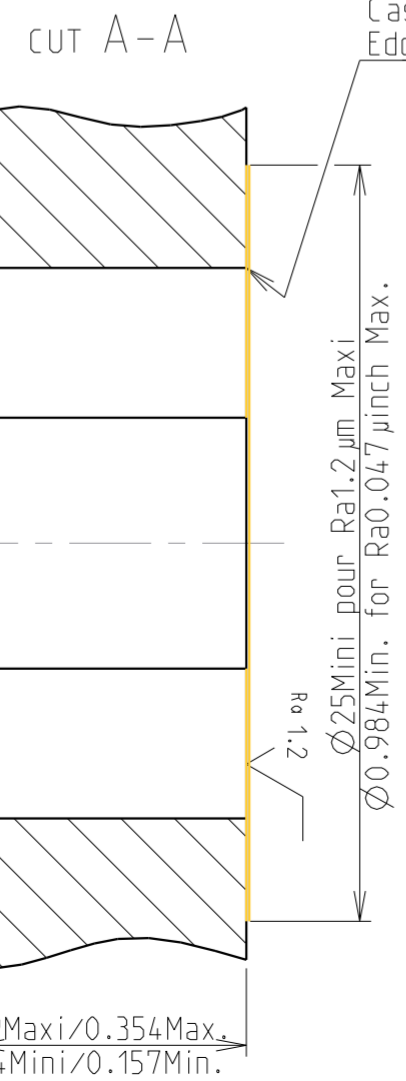
TYPE DE CONTACT/CONTACT TYPE  
 M:MALE/PIN F:FEMELLE/SOCKET  
 MATIERE DE L'ISOLANT/INSERT MATERIAL  
 N:PA6/6+MOS2(NYLATRON) T:PTFE(TEFLON)  
 ARRANGEMENT DES CONTACTS/CONTACT LAYOUTS  
 VOIR STI-PL54-0001/SEE STI-PL54-0001

**N1** : SERRAGE SUR PANNEAU COUPLE 3.5 N.m  
 TIGHTENING ON PANEL TORQUE 3.5 N.m

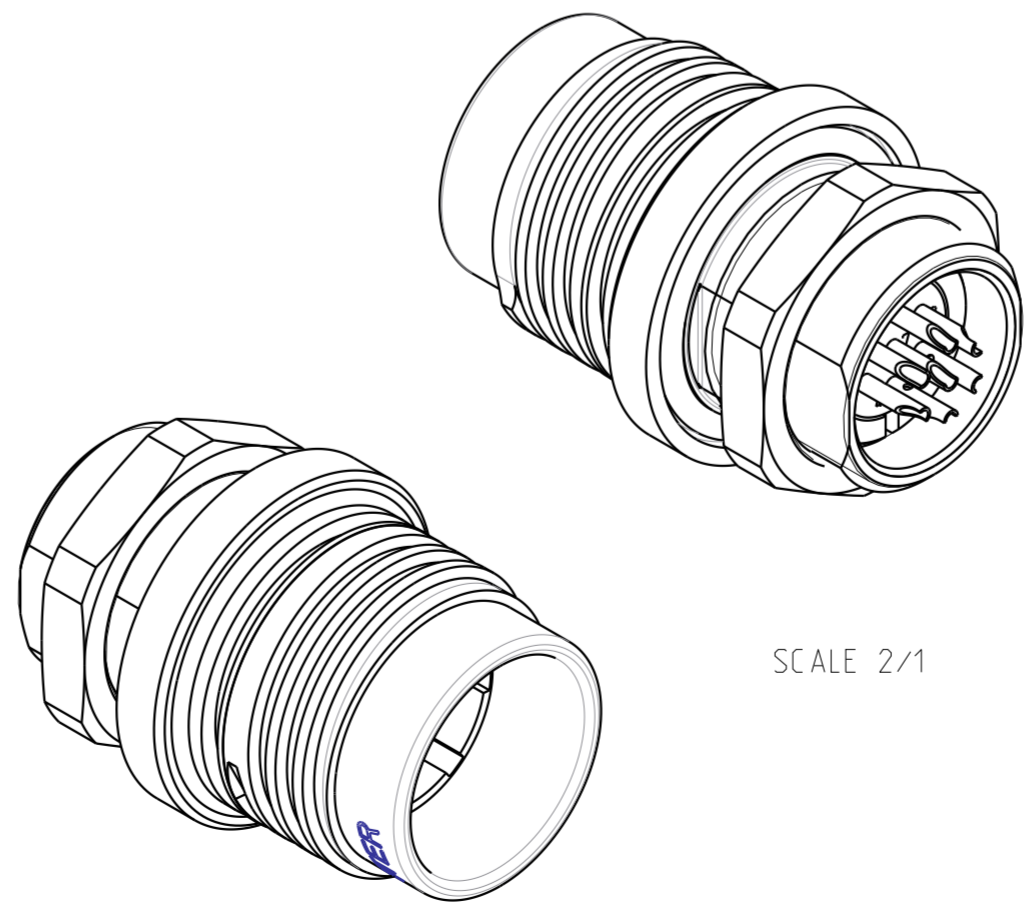


**DECOUPE DU PANNEAU  
 PANEL CUT OUT**

SCALE 4/1



Cassage d'angle 0.2 Maxi  
 Edge breaking 0.008in Max.



SCALE 2/1

A	11/07/16	Initial drawing	ORAIN	MEFFRE	DIFF
Iss	Date	MODIFICATIONS	A C Naf.	Designed by	Checked by
MATERIAL --			TREATMENT	PROTECTION/PLATING	
--			--	--	
--			--	CODE --	
DIMENSIONS ARE DEFINED BEFORE PLATING					
TITLE		EMBASE RER / RECEPTACLE RER			PROJECT
		SERIE PL - TAILLE 10 (CONTACTS A SOUDER / SOLDER CONTACTS)			PL54
Material Reference Voir Référence Commerciale / See Part Number					
		Generales tolerances ISO 2768		<b>SOURIAU</b>	
Scale 4/1		General machining Surface texture		3. RUE DU VALLON ZAC N°2 94440 MAROLLES-EN-BRIE (FRANCE) TEL. 33 (0)1 45 10 78 00	
Geometrical Tolerances: NF EN ISO 1101		This document is the property of SOURIAU it must not be reproduced or communicated without permission.		FORMAT A2	SOURIAU DRG N° <b>542E0030A9C</b>
				Iss A	SHEET 1/1