

6

5

4

3

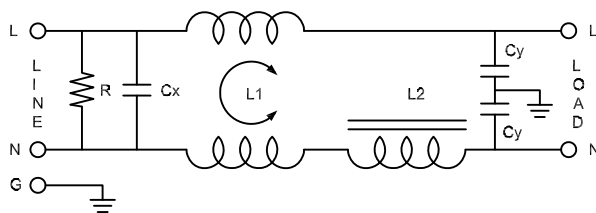
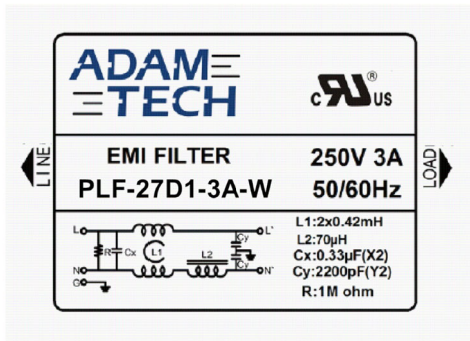
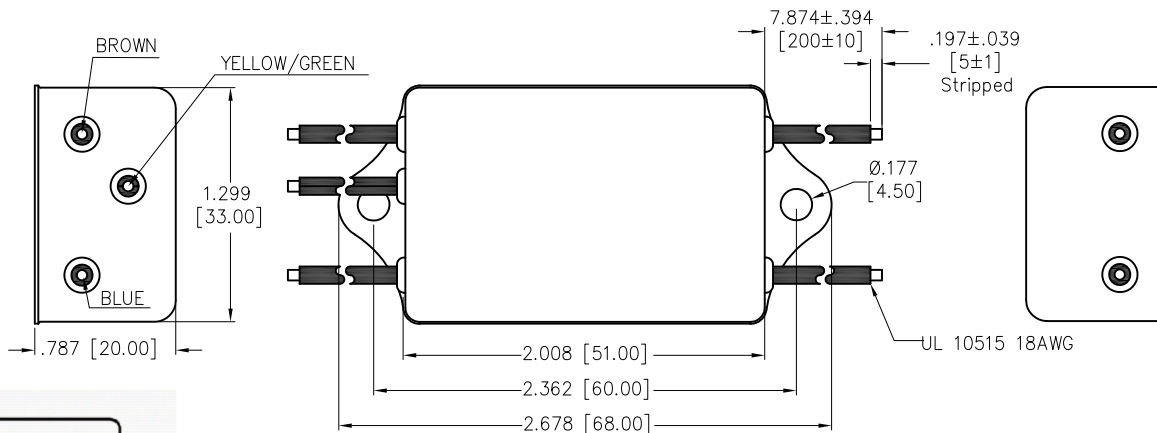
2

1

APPROVED: _____

DATE: _____ TITLE: _____

Rev	AWO #	Description	Date	Appr
-		RELEASED	7/30/21	
A		ADDED DRAWING	5/27/22	LH/RC



L1:2x0.42mH
 L2:70uH
 Cx:0.33uF(X2)
 Cy:2200pF(Y2)*2
 R:1M ohm

SPECIFICATIONS:

Electrical:

Voltage rating: 115/250 VAC

Current rating: 115/250 VAC: 3 A RMS max

Leakage Current: Each Line To Ground
 @115VAC/60HZ 0.3mA max
 @250VAC/50HZ 0.6mA max

Hipot Rating(For 1 Minute)

A. Line to Ground: 2,250 VDC

B. Line to Line: 500 VDC

IR: 50 Mohm @500 VDC Any Input or Output to Ground

Temperature Rating:

-25°C to +85°C

Environmental:

Lead free, RoHS compliant



UNLESS OTHERWISE SPECIFIED ALL DIMENSIONS ARE INCHES [MM]. TOLERANCES: EXCEPT AS NOTED

INCHES		HOLES	
.X	± .10	Ø.X	±.10
.XX	± .020	Ø.XX	±.015
.XXX	± .015	Ø.XXX	±.010



909 Rahway Avenue,
 Union, NJ 07083
 Phone: 908-687-5000
 Fax: 908-687-5710

DRAWN	JJ	7/30/21
CHECKED	RC	7/30/21
APPROVED		

TITLE
 EMI/RF POWER FILTER, METAL CASE,
 WIRE LEADED, CHASSIS MOUNT

THIS DRAWING CONTAINS INFORMATION THAT IS PROPRIETARY AND SHOULD NOT BE USED WITHOUT PRIOR WRITTEN PERMISSION FROM ADAM TECH

SIZE X	PART NO. PLF-27D1-3A-W	REV. -
-----------	---------------------------	-----------

REF: S00205C SCALE: NTS SHEET 1 OF 2

6

5

4

3

2

1

6

5

4

3

2

1

APPROVED: _____

DATE: _____ TITLE: _____

Rev | AWO # | Description | Date | Appr

SEE SHT 1 OF 2 FOR REVISION

INSERTION LOSS(IN 50 ohm system according IEC/CISPR)

_____ (common mode)
 _____ (differential mode)

Frequency (MHz)	Common Mode Loss (dB)	Differential Mode Loss (dB)
0.01	5	5
0.05	15	15
0.1	25	25
0.5	65	45
1	75	50
5	65	45
10	65	45
20	65	45
30	65	45

UNLESS OTHERWISE SPECIFIED ALL DIMENSIONS ARE INCHES [MM]. TOLERANCES: EXCEPT AS NOTED

INCHES		HOLES	
.x	± .10	∅.x	± .10
.xx	± .020	∅.xx	± .015
.xxx	± .015	∅.xxx	± .010

ADAM
TECH

 909 Rahway Avenue,
 Union, NJ 07083
 Phone: 908-687-5000
 Fax: 908-687-5710

DRAWN | JJ | 7/30/21

CHECKED | RC | 7/30/21

APPROVED | |

THIS DRAWING CONTAINS INFORMATION THAT IS PROPRIETARY AND SHOULD NOT BE USED WITHOUT PRIOR WRITTEN PERMISSION FROM ADAM TECH

TITLE | EMI/RF POWER FILTER, METAL CASE, WIRE LEADED, CHASSIS MOUNT

SIZE X	PART NO. PLF-27D1-3A-W	REV. -
----------	--------------------------	----------

REF: | S00205C | SCALE: | NTS | SHEET 2 OF 2

6

5

4

3

2

1