

Product Change Notice (PCN)

Date: 11/21/2019

PCN Number: PCN-0451317R-01

To Our Customers:

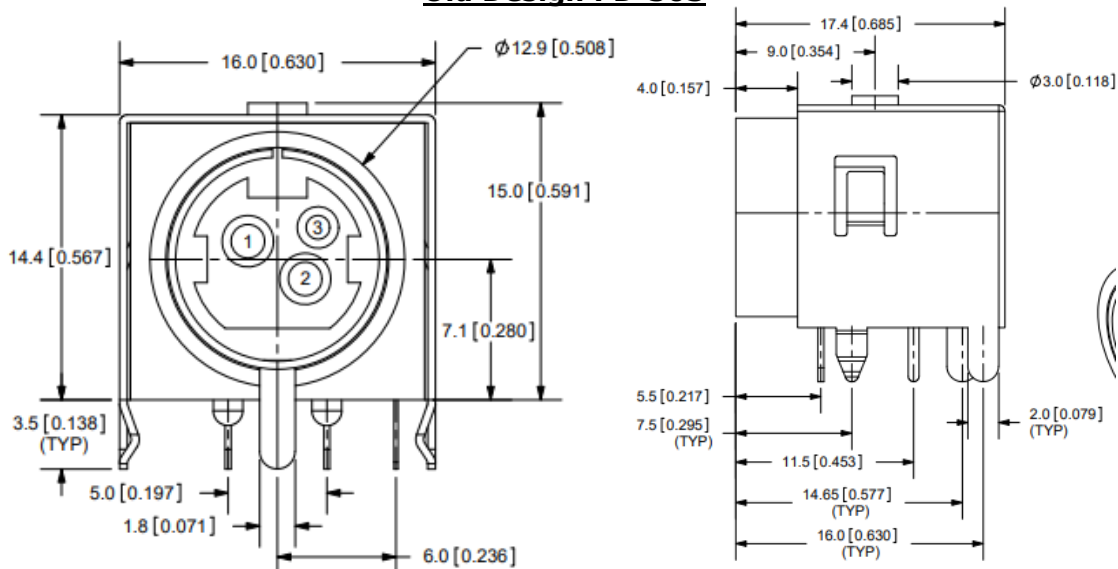
We appreciate your use of CUI Devices products. Our commitment in maintaining and improving processes is demonstrated by plans to enhance our product quality, reliability and manufacturability. The purpose of this notice is to inform you of a product change.

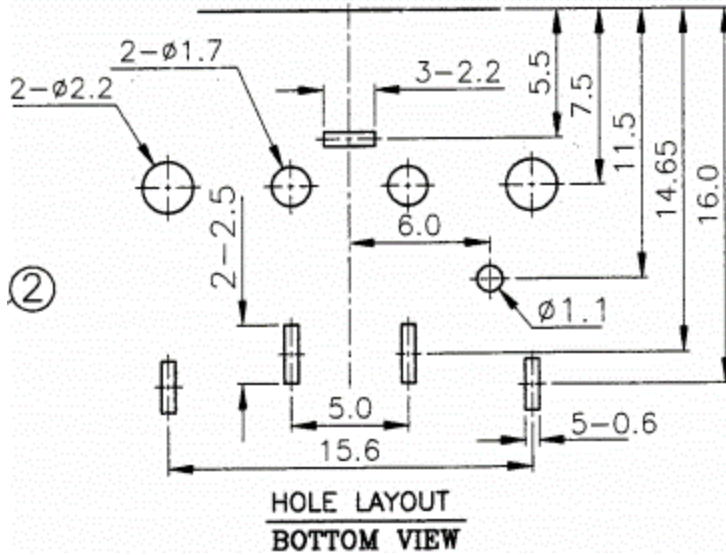
Product(s) Affected: PD-30S and PD-40S

Reason(s) for Change: Manufacturing build location change

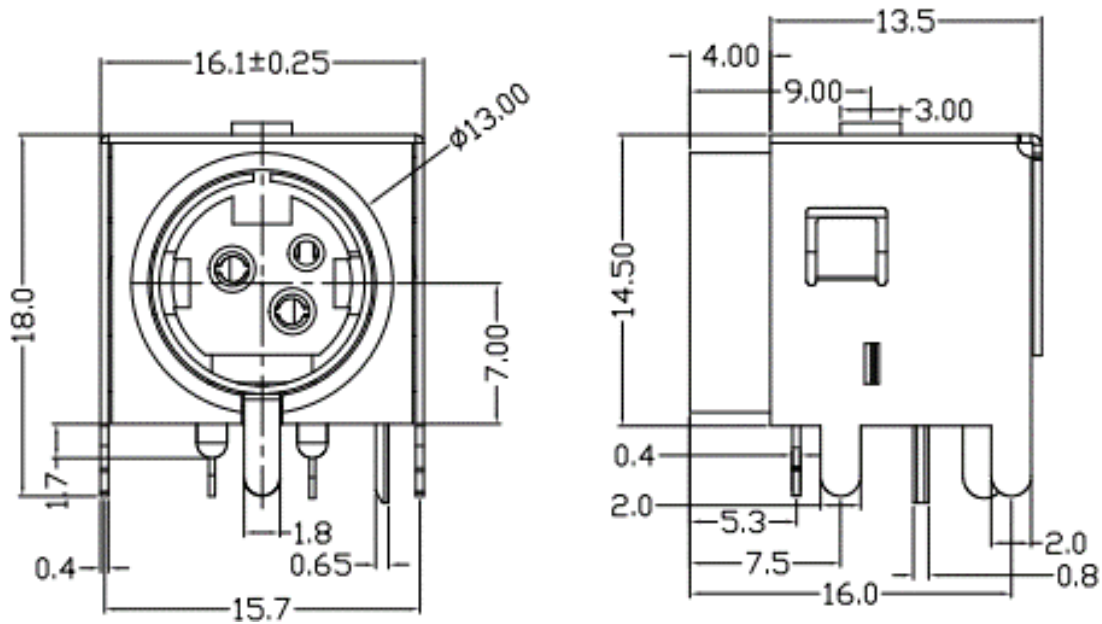
Description of Change: Housing and PCB layout changes as shown below.

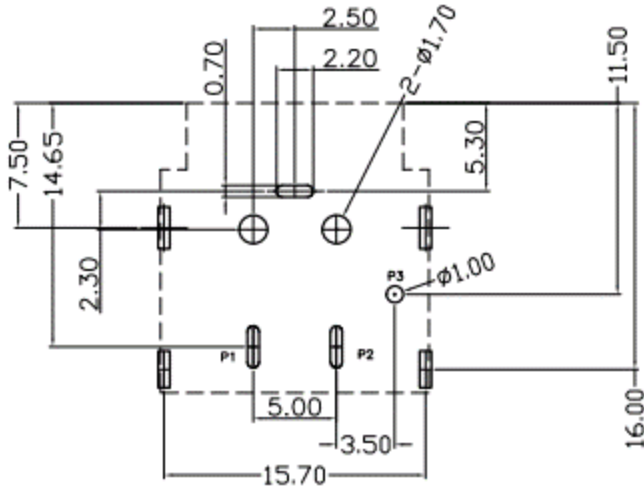
Old Design PD-30S



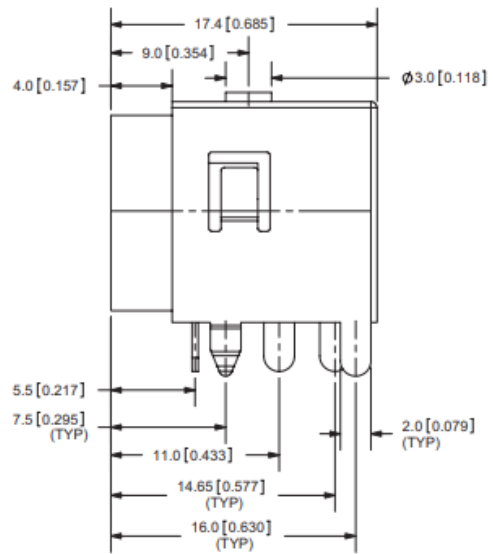
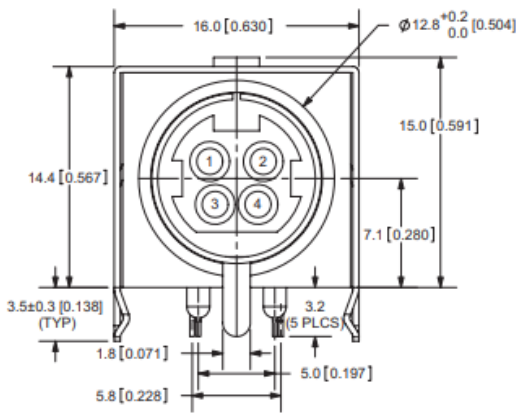


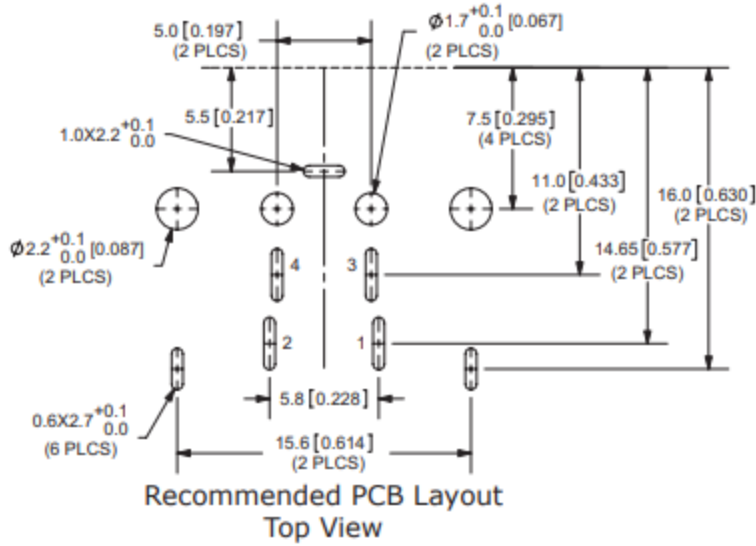
New Design PD-30S



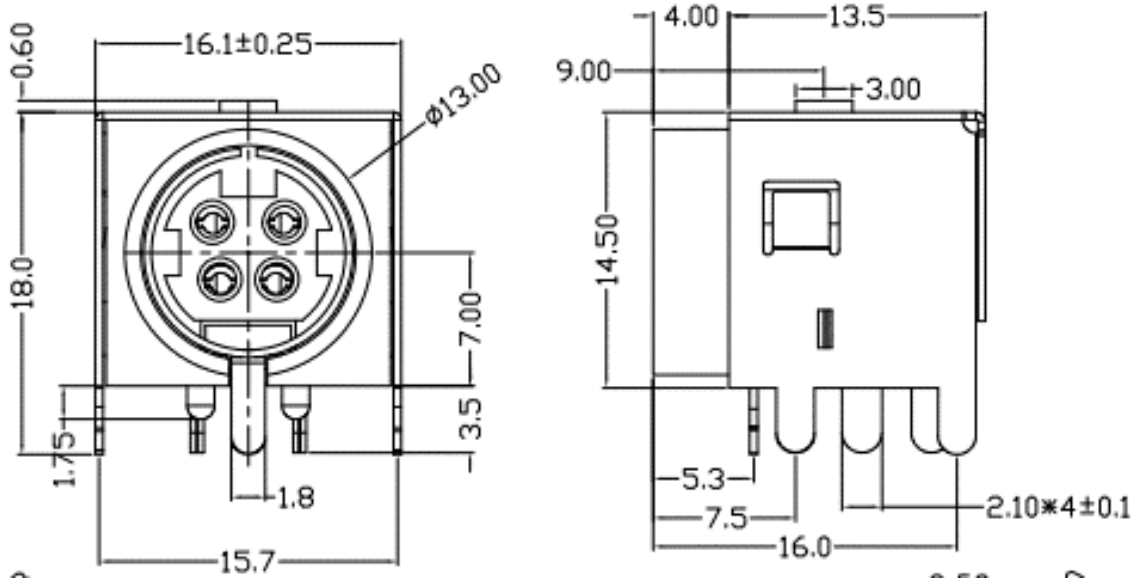


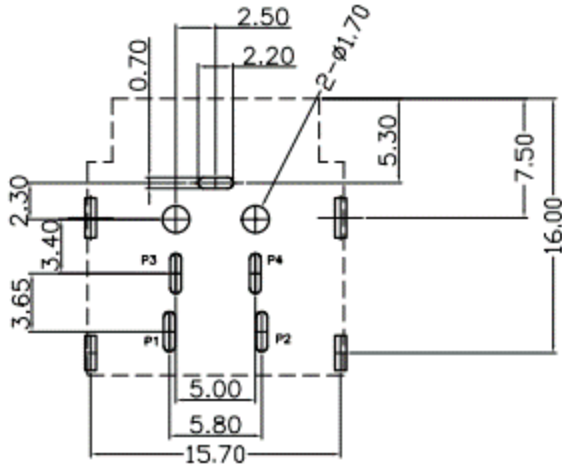
Old Design PD-40S





New Design PD-40S





Affected Date Code: 12/10/2019 for PD-40S, 11/15/19 for PD-30S

Product Availability: currently available

Additional Information: none

PCN Approval:

Operations/Quality

Roe D. Garcia

Product Marketing

RU