

Approved	Checked	Designed	DEVELOPMENT SPECIFICATION	TEMPORARY		
		<i>T. Takata</i>				

T Y P E	Orange Light Emitting Diode					
APPLICATION	Indicators					
MATERIAL	InGaAlP					
OUTLINE	Attached					
ABSOLUTE MAXIMUM RATINGS	P	$\pm 1 I_{FP}$	I_{FDC}	V_R	Topr	Tstg
	55	60	20	4	-30~+85	-40~+100
	mW	mA	mA	V	°C	°C
CONDITION	Ta = 25 ± 3°C					

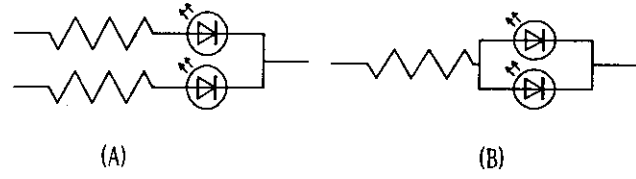
Test Specification

I t e m	Symbol	C o n d i t i o n	Typ	Limit		Unit
				Min	Max	
Forward Voltage	V_F	$I_F = 10 \text{ mA}$	1.9		2.5	V
Reverse Leakage Current	I_R	$V_R = 3 \text{ V}$			100	$\mu \text{ A}$
Luminous Intensity #2	I_O	$I_F = 10 \text{ mA DC}$	16.3	8.7		mcd
Peak Emission Wavelength	λ_p	$I_F = 10 \text{ mA DC}$	620			nm
Spectral Line Half Width	$\Delta \lambda$	$I_F = 10 \text{ mA DC}$	17			nm

- #1. The Condition of I_{FP} is duty 10 %, Pulse width 1 ms
- #2. Tolerance of luminous intensity: ±20%.

NOTE

- ★1. Please contact the Panasonic local office if you design at low current (below 1mA DC) or pulse current operation and have any questions.
- ★2. Soldering conditions... Refer to Handling note.
- ★3. Compositions of the lead ... Cu/Ni/Au plating
- ★4. Beware of destruction by static electricity in handling the LED.
- ★5. Circuit to operate LED.



(A) Recommended circuit.
 (B) The difference of brightness between the LED could be found due to the V_F characteristics of each LED.

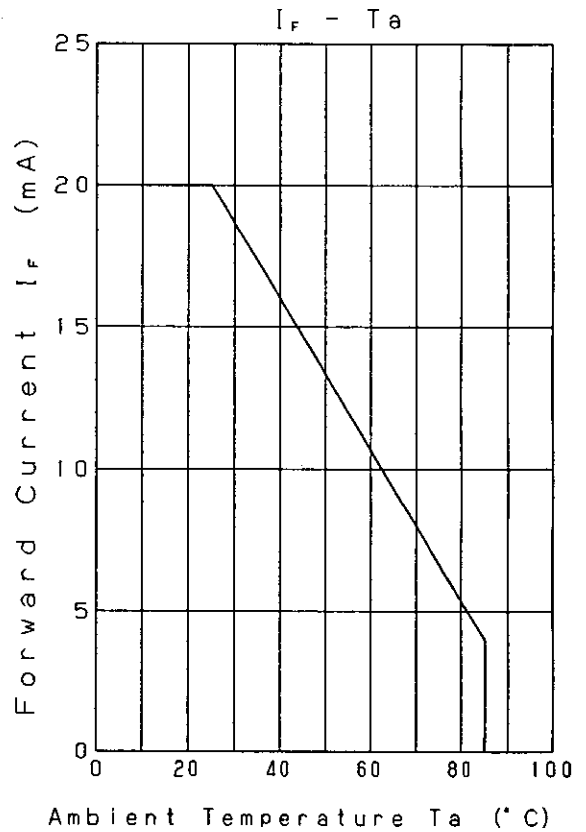
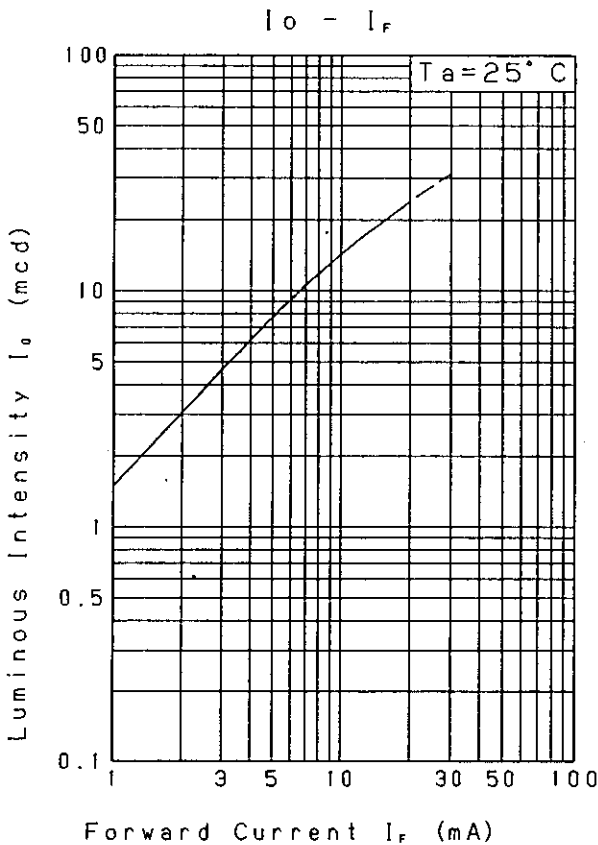
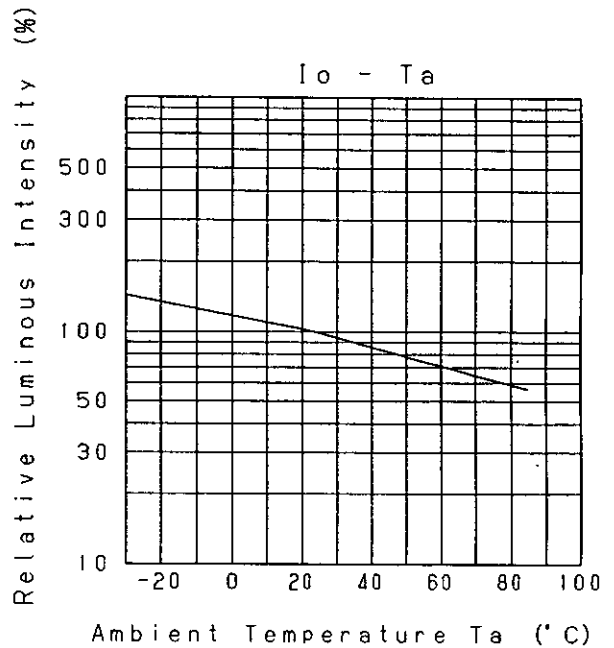
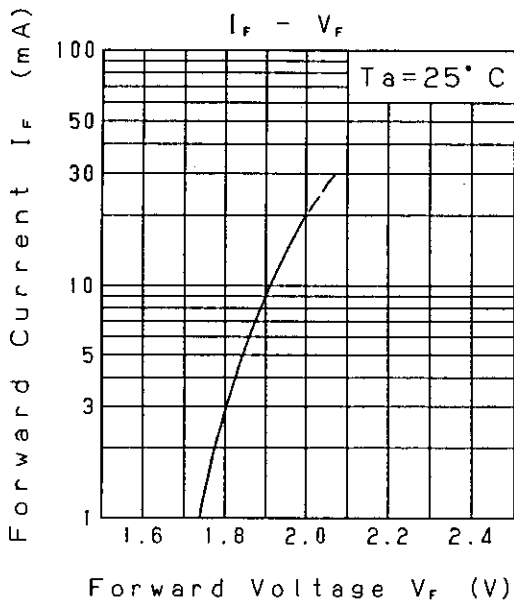
Nov. 7. 2001			

Approved	Checked	Designed
		T. Takata

DEVELOPMENT SPECIFICATION

P/N: LNJ818C88RA1

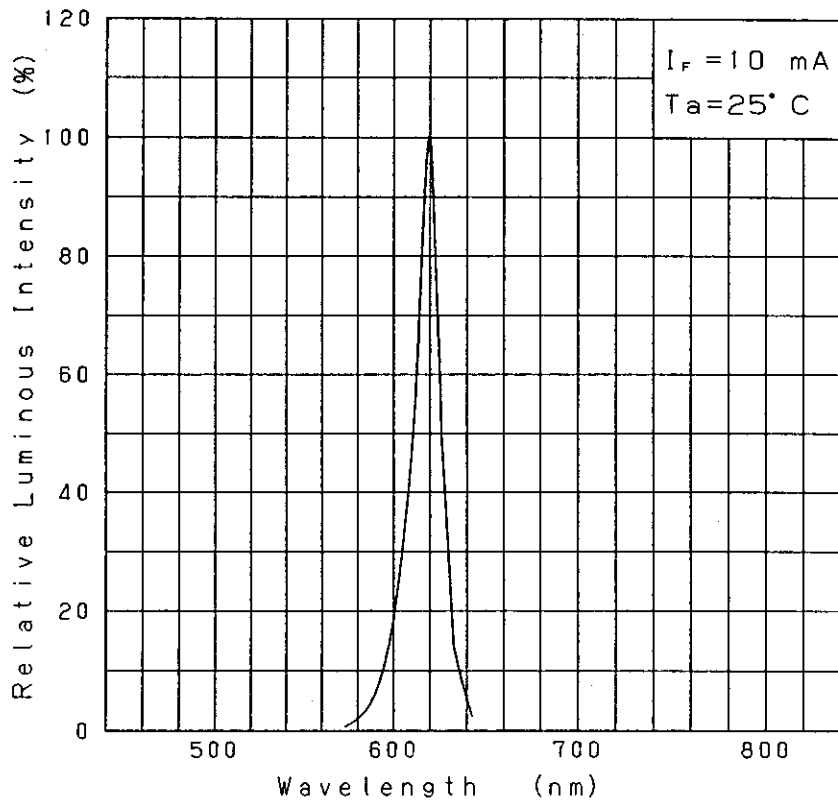
TEMPORARY



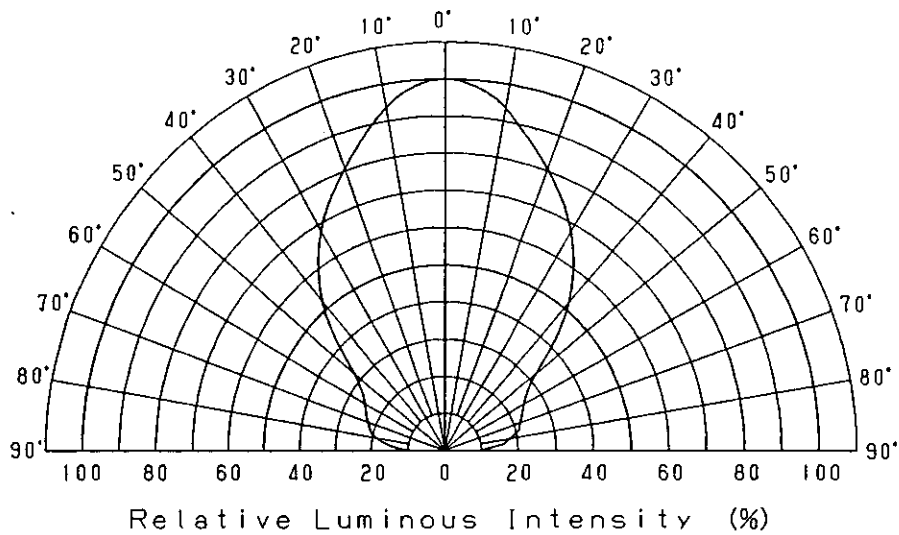
Nov. 7. 2001

Approved	Checked	Designed	DEVELOPMENT SPECIFICATION	TEMPORARY
		T. Takata		

Relative Luminous Intensity
Wavelength Characteristics



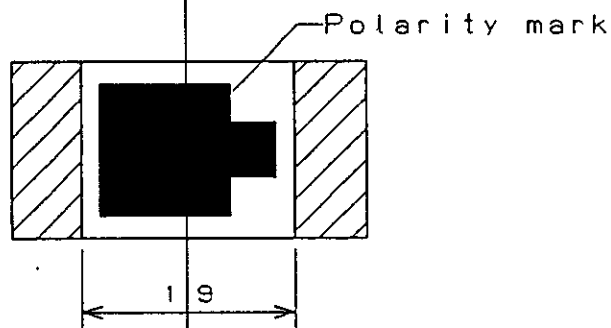
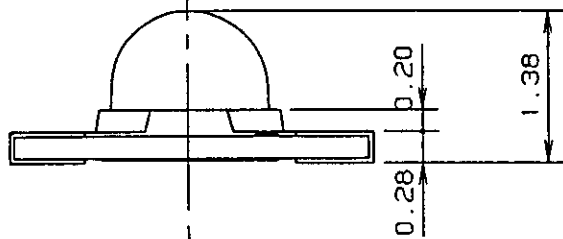
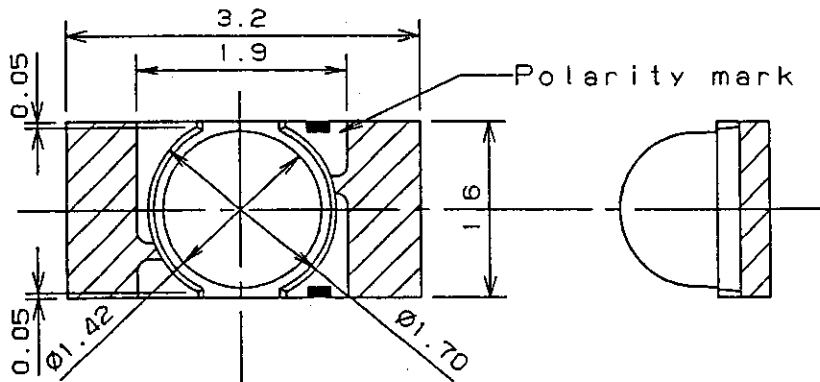
Directive Characteristics



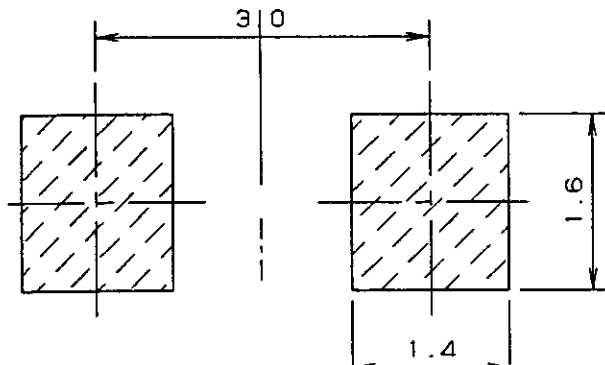
Nov. 7. 2001		
--------------	--	--

Approved	Checked	Designed	DEVELOPMENT SPECIFICATION (OUTLINE)	TEMPORARY
		T. Tabata		

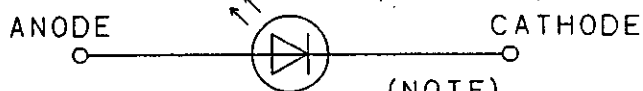
Outline



Recommended Land Layout



Polarity



(NOTE)

1. Unit: mm
2. Tolerance unless specified is ± 0.15 .
3. indicate Au terminal.

Nov. 7. 2001			
--------------	--	--	--