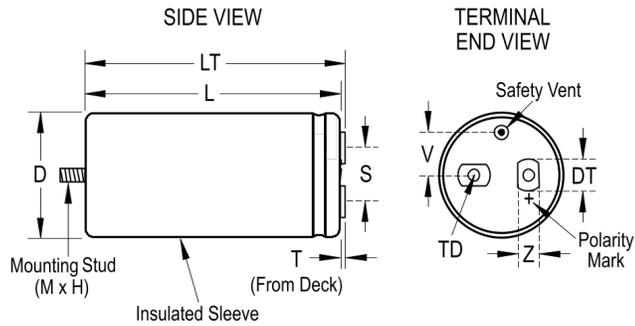


ALS31A472QH350

Aliases (A431UK472M350A)

ALS31, Aluminum Electrolytic, 4,700 uF, 20%, 350 VDC, -40/+85°C



Click [here](#) for the 3D model.

Dimensions

| | |
|----|-----------------|
| D | 90mm +/-1mm |
| L | 98mm +/-2mm |
| T | 5.5mm +/-0.5mm |
| S | 31.8mm +/-0.5mm |
| DT | 13mm +/-0.5mm |
| LT | 103.5mm +/-1mm |
| TD | 10mm MIN |
| V | 25mm NOM |
| Z | 10mm NOM |

Packaging Specifications

| | |
|-----------|-----------|
| Sleeving | Yes |
| Packaging | Bulk, Box |

General Information

| | |
|------------------|---|
| Series | ALS31 |
| Dielectric | Aluminum Electrolytic |
| Description | Screw Terminal, Aluminum Electrolytic |
| RoHS | Yes |
| AEC-Q200 | No |
| Component Weight | 900 g |
| Notes | Dimensions D And L Include Sleeving. MS (MxH) = M12x16. |
| Shelf Life | 156 Weeks |

Specifications

| | |
|-----------------------|---|
| Capacitance | 4,700 uF |
| Capacitance Tolerance | 20% |
| Voltage DC | 350 VDC, 385 VDC (Surge) |
| Temperature Range | -40/+85°C |
| Rated Temperature | 85°C |
| Life | 20000 Hrs (Rated Voltage And Ripple Current At 85C), 40000 Hrs (Rated Voltage At 85C) |
| Resistance | 31 mOhms (100Hz 20C), 24 mOhms (10kHz 20C) |
| Ripple Current | 16.3 Amps (100Hz 85C), 26.6 Amps (10kHz 85C) |
| Leakage Current | 6000 uA (5min 20°C) |

Statements of suitability for certain applications are based on our knowledge of typical operating conditions for such applications, but are not intended to constitute - and we specifically disclaim - any warranty concerning suitability for a specific customer application or use. This information is intended for use only by customers who have the requisite experience and capability to determine the correct products for their application. Any technical advice inferred from this information or otherwise provided by us with reference to the use of our products is given gratis, and we assume no obligation or liability for the advice given or results obtained.