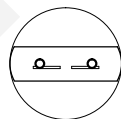
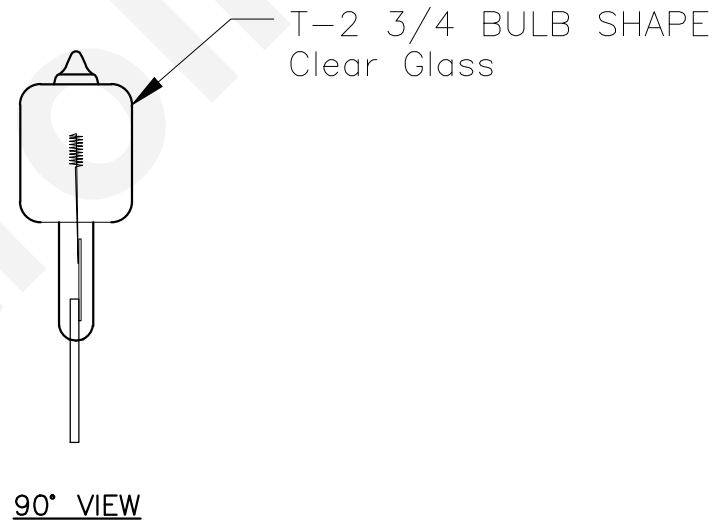
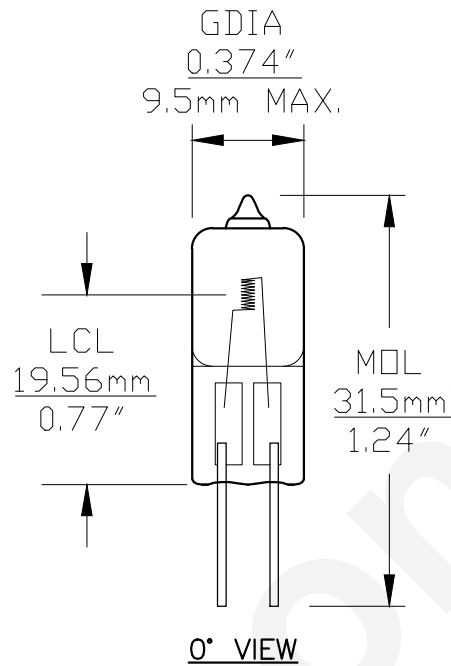




Since 1959

PART NO.	BASE TYPE	DESIGN VOLTS	DESIGN AMPS	MSCD	FILAMENT TYPE	AVERAGE LIFE HOURS	REVISIONS			
							REV #	DESCRIPTION	DATE	APPROVED
789	G-4 BI-PIN	12.0V	1.17±10%	22±25%	C-8	200	1	ISSUED	12/04/2009	D.C.
							2	REVISED FILAMENT FROM C-6 TO C-8	01/21/2019	R.M.



BASE BOTTOM VIEW

Note: Made according to SAE specifications



UNLESS OTHERWISE SPECIFIED: DIMENSIONS ARE IN INCHES TOLERANCES		CEC INDUSTRIES LTD			
DECIMALS	ANGULAR	599 BOND STREET		LINCOLNSHIRE, IL 60069	
.XX ± .05	± 0.5°				
.XXX ± .010					
FRACTIONAL	± 1/64				
DRAWN DENNIS CLARK	DATE 12/04/2009	TITLE HALOGEN LIGHT BULB NO. 789			
CHECKED		SIZE A	FSCM NO.	DWG NO. 789	REV 2
DESIGN		SCALE	PLOT SCALE	SHEET 1 OF 1	
MATERIAL		FILE 789.pdf	DRAWING NOT TO SCALE		