



IDEAL POWER LTD.
APPROVAL SHEET

Customer: Ideal Power

Part No.: _____

Description: AC/AC ADAPTOR

Model No.: DE-06-12

Designed No.: S1804021

Date: 2018/4/25

Customer:	IDEAL POWER LTD.		
Approved By	Approved By	Checked By	Designed By

Ref. No:	Date	Description
1-0	2018/4/25	NEW

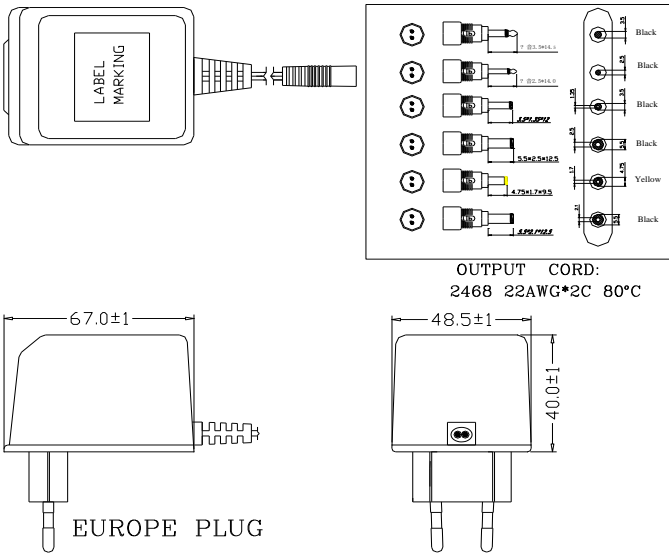
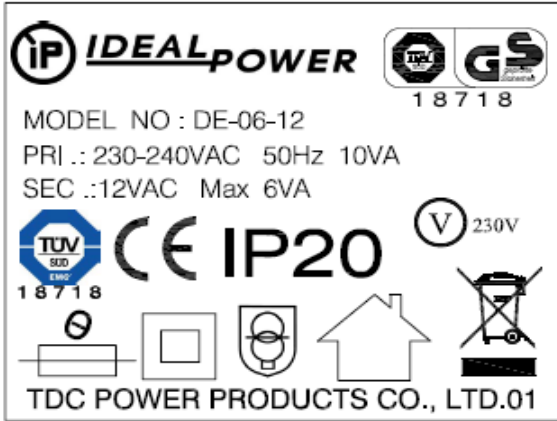
HEAD OFFICE:
14 Larks Way, Tree Beech Enterprise Park
Gunn, Barnstaple, Devon, England EX32 7NZ
TEL: +44 (0) 845 260 3400
FAX: +44 (0) 845 260 3401
E-MAIL: info@idealpower.co.uk
WEB: www.idealpower.co.uk

Ideal Power Ltd.

DE-06-12

INPUT VOLTAGE **230VAC**
 OUTPUT VOLTAGE **12VAC**

ELECTRICAL & MECHANICAL SPECIFICATION



OUTPUT CORD:
2468 22AWG*2C 80°C

ELECTRONICAL SPECIFICATION

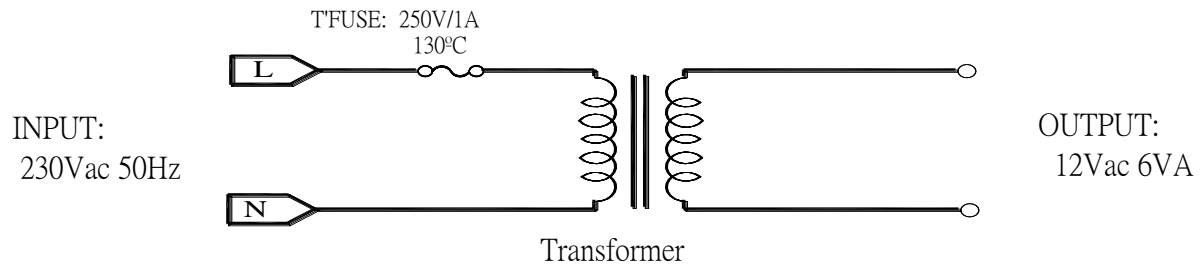
Input Voltage	230	Volts
Frequency (Hz)	50	Hz
Power Rated (W)	10	W
Exciting Current With No load	60	mA Max
Exciting Current With Full load	80	mA Max
Output Voltage	12.0	Volts±5%
Output Current	0.5	Amp
Output Voltage Without Load	16	Volts±5%
HI-POT :		
Test Time	1	Min
PRI TO SEC	4200	Volts
PRI TO CORE	4200	Volts
SEC TO CORE	2100	Volts
Efficiency	70	%
Insulation Class	B (130)	°C

MECHANICAL SPECIFICATION

Dimensions (L*W*H)	67.0*48.5*40.0	mm
Weight	245	g
Environment:		
Operating Temperature	-10 To 40	°C
Storage Temperature	-20 To 70	°C
Relative Temperature	40°C±2°C	
RELATIVE HUMIDITY	90% RH	

Output Cable: **2468 22AWG*2C 1.8M LENGTH+JACK**

ELECTRICAL CIRCUIT



IDEAL POWER LTD.

Model No: **DE-06-12**

CONSTRUCTION DATA FORM

ITEM	DESCRIPTION	MATERIAL	APPROVED BY
1.	ENCLOSURE	NORYL FLAME	UL
2.	LABEL	POLYESPER	UL
3.1.	BOBBIN	NYLON-66	UL
3.2.	WINDING	MAGNET WIRE	UL
3.3.	THERMAL FUSE	250V/1A 130°C	VDE
3.4.	MYLAR TAPE	POLYESTER FILM	UL
3.5.	CORE	SILICON STEEL	
3.6.	HEAT SHRINKABLE TUBINNG	600V/125°C	UL
4.	LEAD WIRE	1617 22AWG	UL
5.	OUTPUT CABLE	2468 22AWG*2C	UL

Ideal Power Ltd.
DE-06-12
INPUT VOLTAGE 230VAC
OUTPUT VOLTAGE 12VAC
TEST:

1. Test sample under input 230v/50Hz and output with rated load to operate at least 30 mins/測試樣品在輸入230V/50Hz條件下,輸出帶額定負載,工作至少30分鐘.
2. Then, adjust input under 230V/50Hz and output with 100%,75%,50%,25% rated load to test output voltage,output current, input power and input current./然後調整輸入230V/50Hz條件下,分別在100%,75%,50%,25%的額定負載和空載條件下,測試輸出電壓,輸出電流,輸入功率,輸入電流.
3. Calculate average efficiency per foler kind of rated load./計算四種負載條件下的平均效率.

Sample No. 1	No Load	Active Power Measurements/有效功率測試					
Percent of Rated Load/ 額定負載之百分比	0%	25%	50%	75%	100%	Average/ 平均值	
AC Input Voltage/ 輸入電壓 (V)	230	230	230	230	230	/	
AC Input Frequency/ 輸入頻率	50	50	50	50	50	/	
AC Input Power/ 輸入功率 (W)	0.44	2.43	4.40	6.44	8.44	/	
AC Input Current/ 輸入電流 (mA)	8	13	20	28	37	/	
AC Output Current/ 輸出電流 (mA)	/	125	250	375	500	/	
AC Output Voltage/ 輸出電壓 (V)	/	15.04	13.96	12.83	11.71	/	
AC Output Power/ 輸出功率 (W)	/	1.88	3.48	4.81	5.87	/	
Efficiency/ 效率	/	77.37	79.09	74.69	69.55	75.18	

Sample No.2	No Load	Active Power Measurements/有效功率測試					
Percent of Rated Load/ 額定負載之百分比	0%	25%	50%	75%	100%	Average/ 平均值	
AC Input Voltage/ 輸入電壓 (V)						/	
AC Input Frequency/ 輸入頻率						/	
AC Input Power/ 輸入功率 (W)						/	
AC Input Current/ 輸入電流 (mA)						/	
AC Output Current/ 輸出電流 (mA)	/					/	
AC Output Voltage/ 輸出電壓 (V)	/					/	
AC Output Power/ 輸出功率 (W)	/					/	
Efficiency/ 效率	/						

A. CORE LOSS /最大鐵損 : 0.5WATT MAX, (AT 230VAC/50Hz)

B. AVERAGE EFFICIENCY / 平均效率: 73.49% MIN. (AT 230VAC/50Hz)

C. The power supply comply with the requirements of Californian Electricity Commission / 產品符合EUP5級標準.

Head Office : 14 Larks Way, Tree Beech Enterprise Park, Gunn, Barnstaple, Devon, England EX32 7NZ

TEL: +44 (0) 845 260 3400

FAX: +44 (0) 845 260 3400

E-Mail: info@idealpower.co.uk

WEB: www.idealpower.co.uk