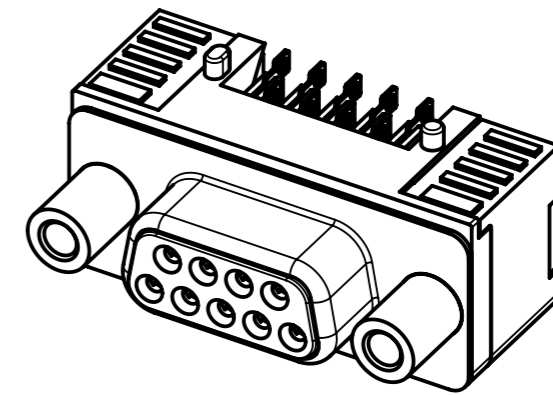
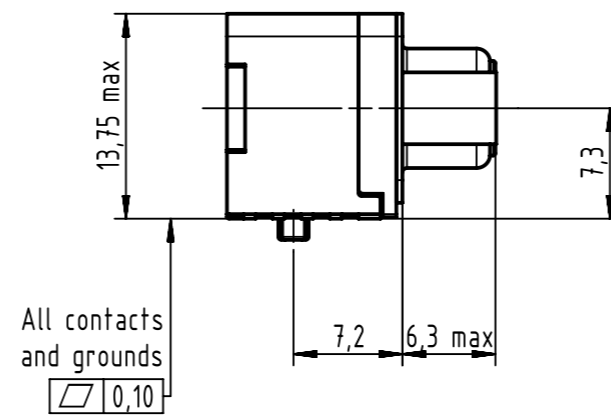
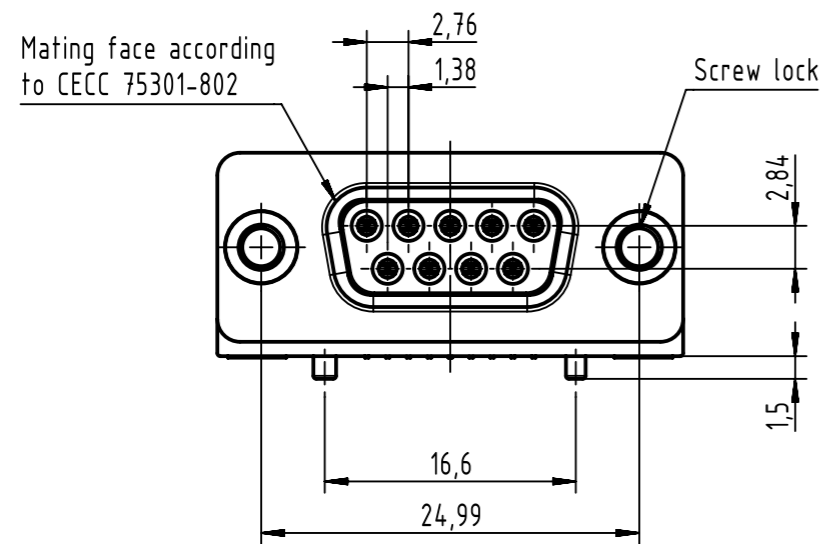
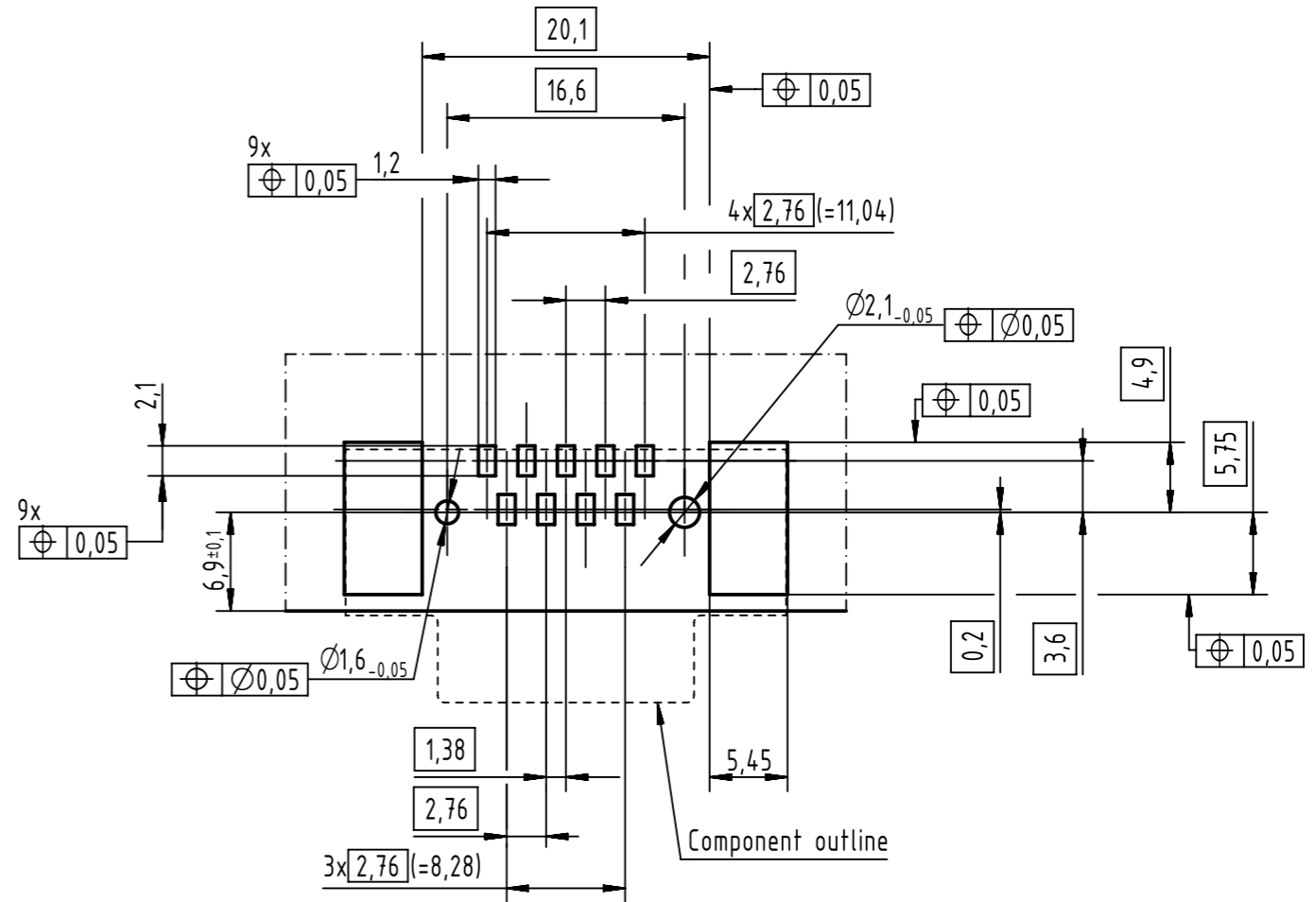


PCB layout, component side (thickness 1,6 min)



Max. Temperature: 260°C during 10 seconds.
Find further technical information on DS 09550200301.

0955 156 6622 333	2	4-40 UNC	Black insulator	Samples
0955 156 3622 741	1			Reel packaging (140 connectors)
0955 156 6622 741	2			
0955 156 7622 741	3	M3		
0955 156 3621 741	1			
0955 156 6621 741	2			
0955 156 7621 741	3			
Part number	PL	Screw lock	Index designation	

	All Dimensions in mm Original Size DIN A3	Scale 2:1	Free size tol.	Ref.
	All rights reserved Department EL PD	Created by ZHUANGJ	Inspected by LUOK	Standardisation HOFFMANN
HARTING Electronics GmbH D-32339 Espelkamp	Title D-Sub angled standard SMT 9-pole female ass with screw lock			Doc-Key / ECM-Nr. 100684631/UGD/001/C 50000014.1375
	Type TB	Number 0955156X62X	Rev. C	Page 1/1
Date 2018-11-16		State Final Release		