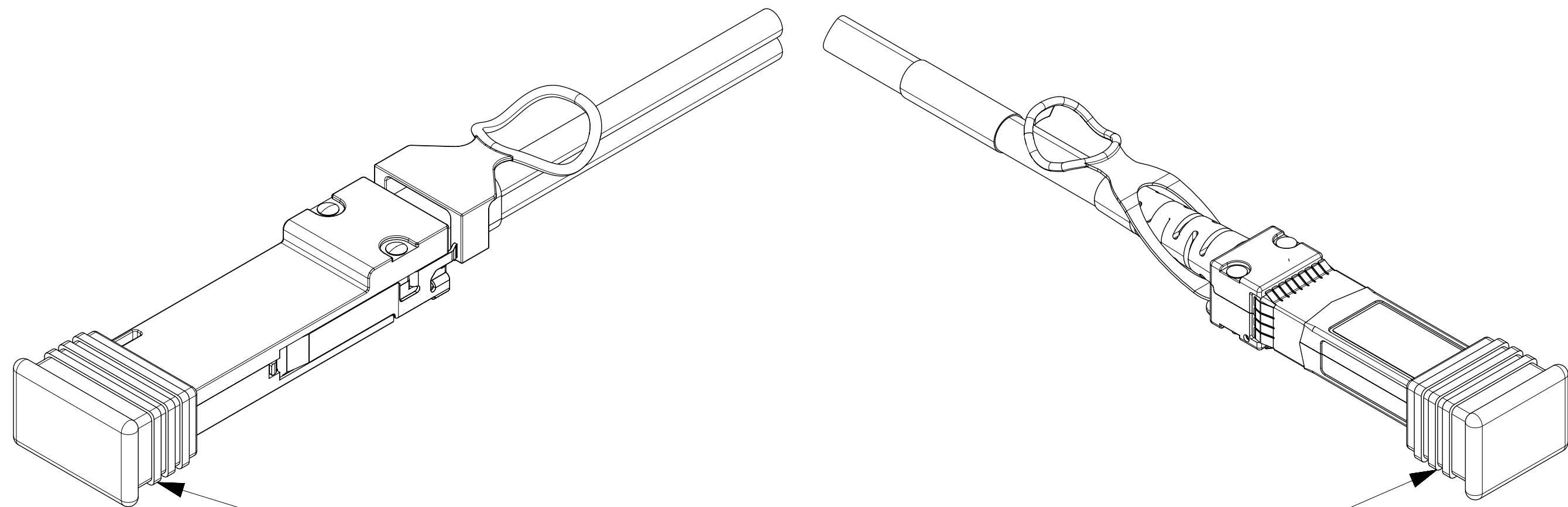
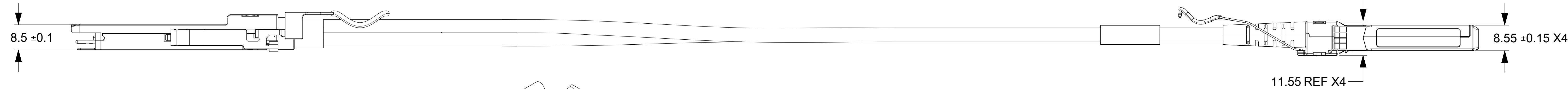
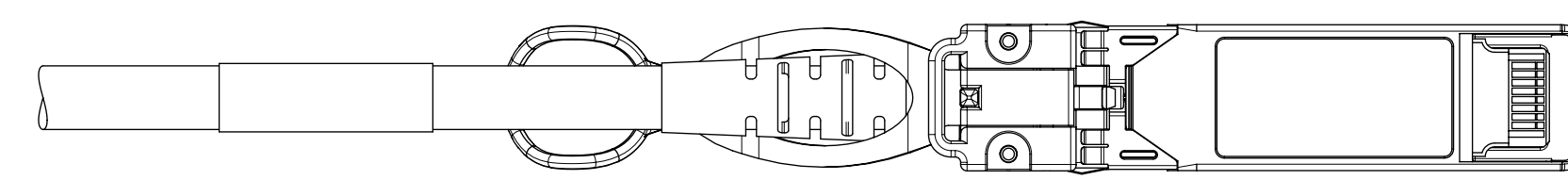


SEE SHEET 3 FOR PRODUCT LABEL DETAIL

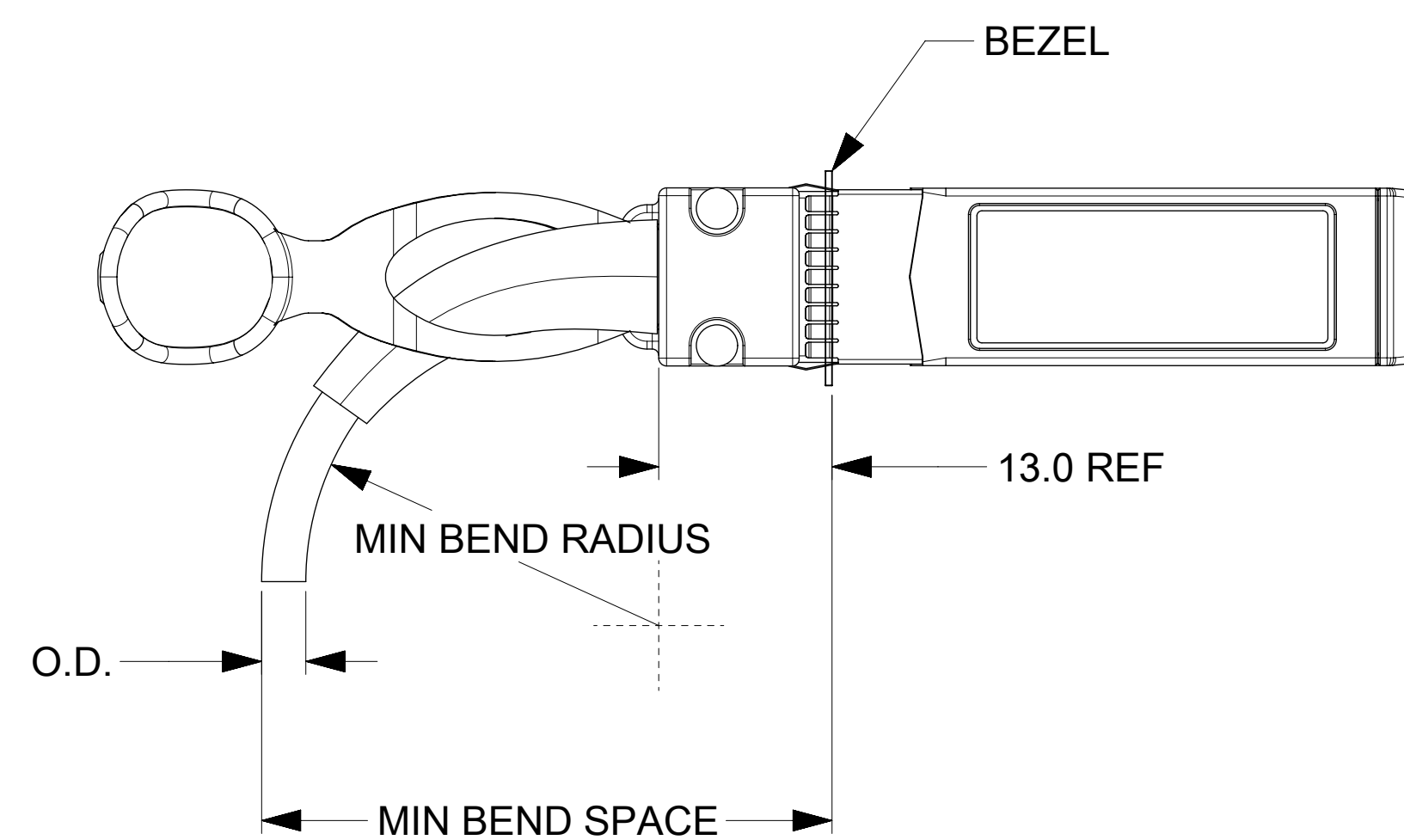
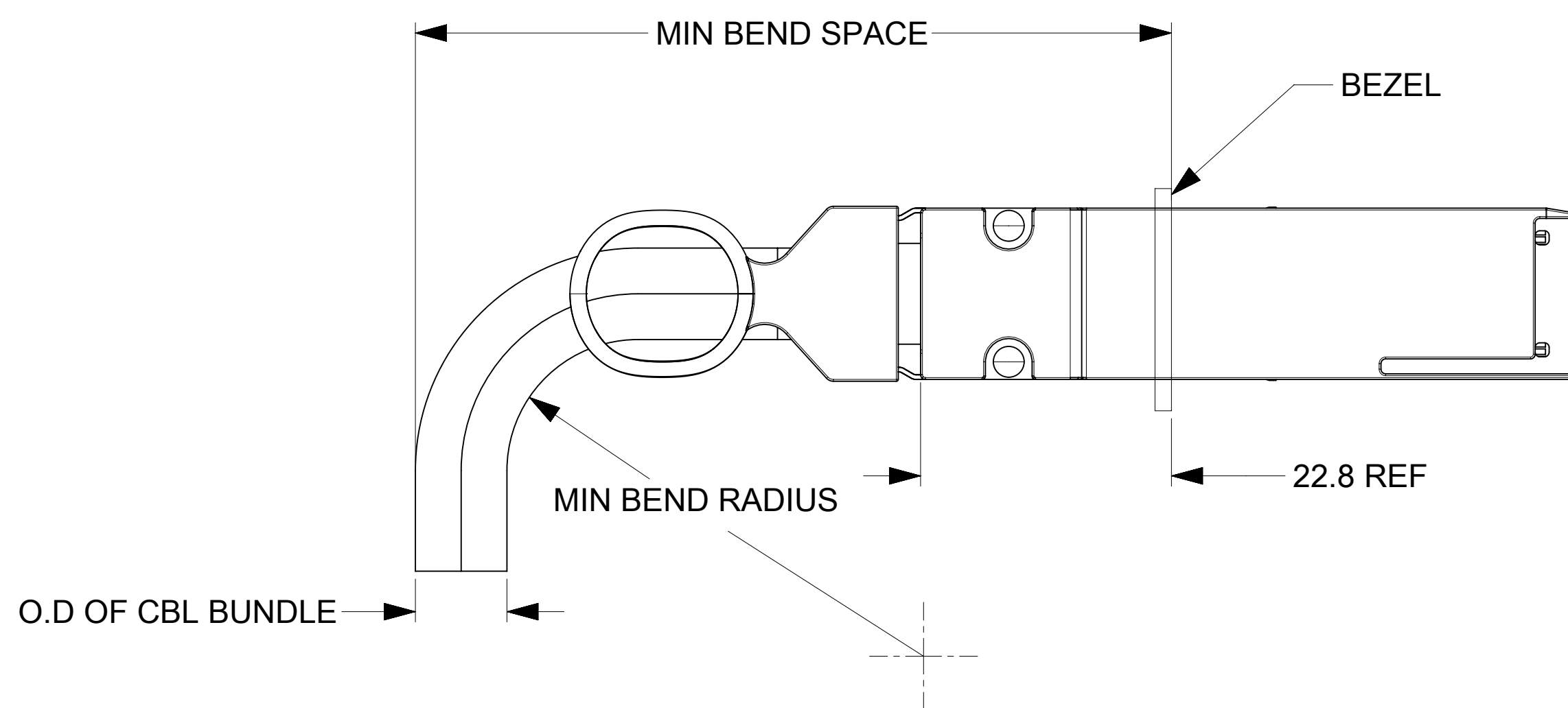
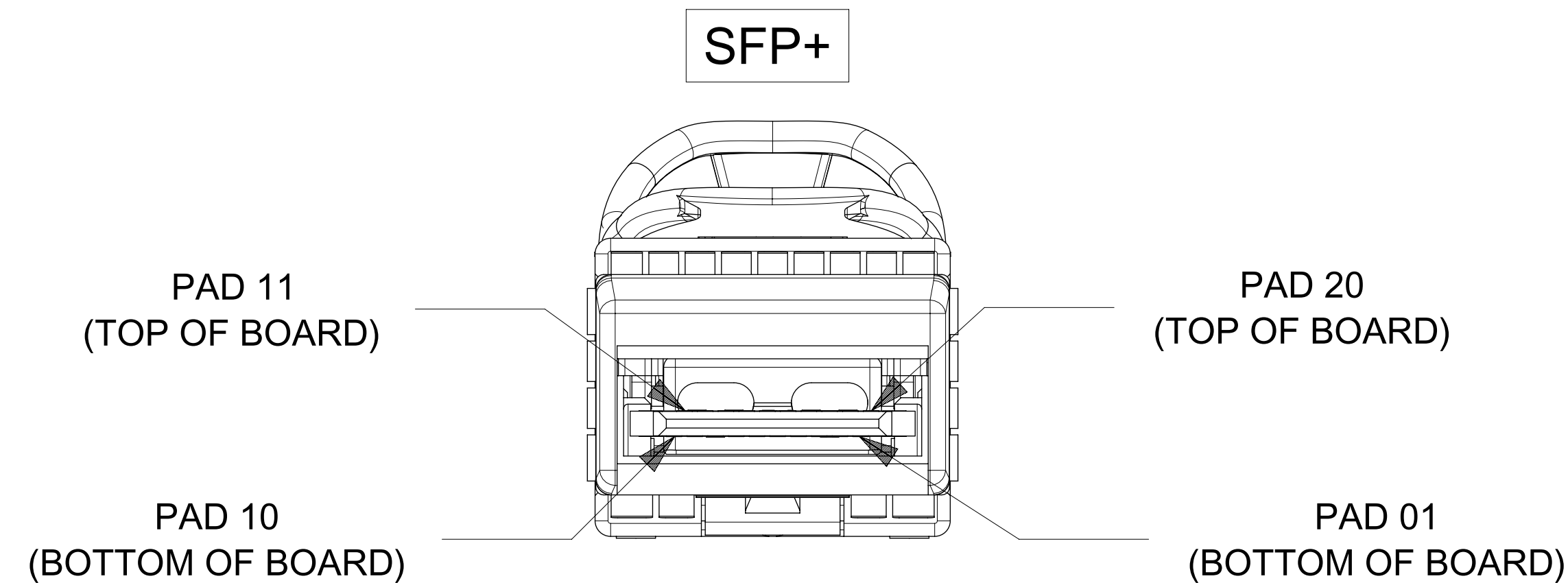
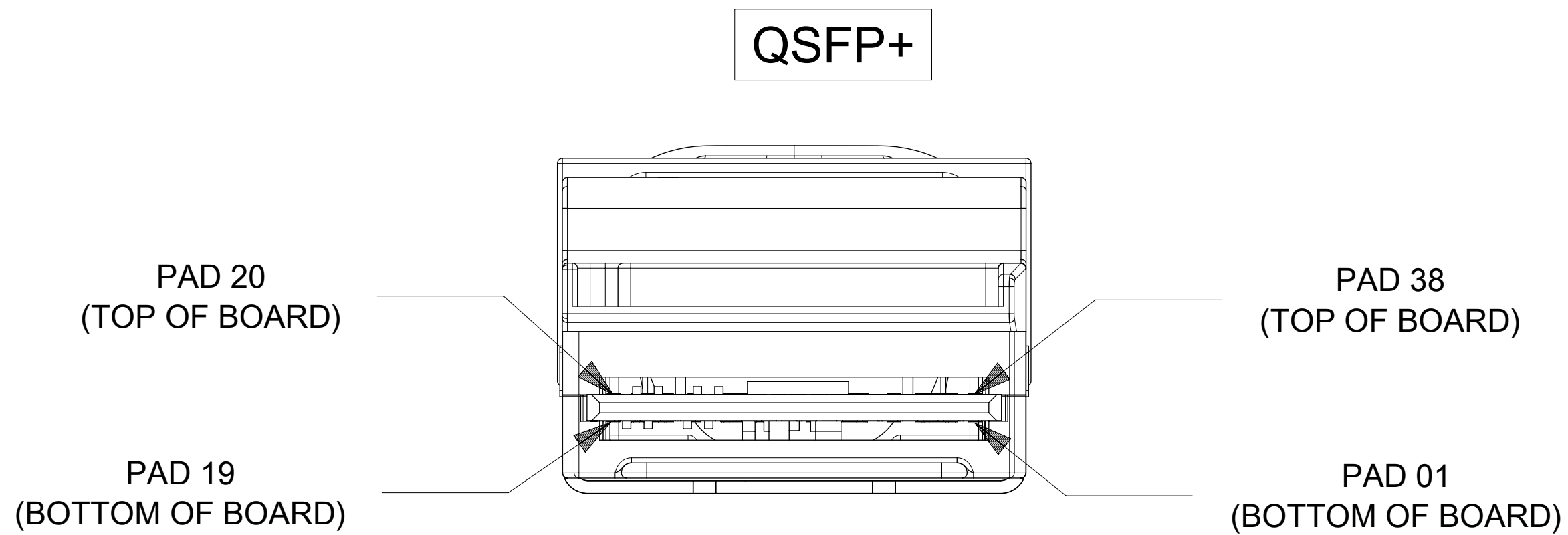
SEE SHEET 3 FOR SFP+ LEG IDENTIFICATION LABEL DETAIL



- NOTES:
- MATERIALS:
 - BACKSHELLS - ZINC DIE CAST WITH BRIGHT NICKEL PLATING
 - DELATCH - STAINLESS STEEL AND OVERMOLDED NYLON
 - PCB - FR4
 - RIVETS - STAINLESS STEEL
 - IMPEDANCE - 100 OHMS DIFFERENTIAL
 - RoHS COMPLIANT, NO EXEMPTIONS

FUNCTIONAL SYMBOLS $F_A = 0$ $F_C = 0$ $F_D = 0$ DIVISIONAL SYMBOLS	THIS DRAWING CONTAINS INFORMATION THAT IS PROPRIETARY TO MOLEX ELECTRONIC TECHNOLOGIES, LLC AND SHOULD NOT BE USED WITHOUT WRITTEN PERMISSION		CURRENT REV DESC: SHEET 2 ZONE E12 : UPDATED VALUES OF MIN BEND RADIUS AND MIN BEND SPACE IN TABLE FOR 26AWG.			
	DIMENSION UNITS mm	SCALE NTS	EC NO: 730974 DRWN: CHETAB3 2022/10/12 CHK'D: VITTAD 2022/11/25 APPR: SCHANNARAYAN 2022/12/07			PRODUCT CUSTOMER DRAWING
	GENERAL TOLERANCES (UNLESS SPECIFIED)		INITIAL REVISION: DRWN: EMEDINA02 2017/03/01 APPR: ARAYBURN 2017/03/14			DOCUMENT NUMBER 747640001
	ANGULAR TOL ± 1.0° 4 PLACES ± 3 PLACES ± 2 PLACES ± 0.13 1 PLACE ± 0.25 0 PLACES ±		DRAFT WHERE APPLICABLE MUST REMAIN WITHIN DIMENSIONS			DOC TYPE DOC PART REVISION PSD 000 T
DRAFT WHERE APPLICABLE MUST REMAIN WITHIN DIMENSIONS		THIRD ANGLE PROJECTION	DRAWING D-SIZE	SERIES 74764	MATERIAL NUMBER SEE PN TABLE	
DOCUMENT STATUS P1		RELEASE DATE 2022/12/07	08:08:41	CUSTOMER GENERAL MARKET	SHEET NUMBER 1 OF 3	

WIRING DIAGRAM					
QSFP+			SFP+		PLUG
PAD	SIGNAL	SIGNAL	PAD		
38	GND	----	GND		A
37	TX1-	--->	RD-	12	
36	TX1+	--->	RD+	13	
16	GND	----	GND		
17	RX1+	<---	TD+	18	B
18	RX1-	<---	TD-	19	
04	GND	----	GND		
02	TX2-	--->	RD-	12	
03	TX2+	--->	RD+	13	C
23	GND	----	GND		
22	RX2+	<---	TD+	18	
21	RX2-	<---	TD-	19	
35	GND	----	GND		D
34	TX3-	--->	RD-	12	
33	TX3+	--->	RD+	13	
13	GND	----	GND		
14	RX3+	<---	TD+	18	
15	RX3-	<---	TD-	19	
07	GND	----	GND		
05	TX4-	--->	RD-	12	
06	TX4+	--->	RD+	13	
26	GND	----	GND		
25	RX4+	<---	TD+	18	
24	RX4-	<---	TD-	19	



CABLE AWG	OD OF CBL BUNDLE	MIN BEND RADIUS (mm)	MIN BEND SPACE (mm)
30	8.4	21	52
28	9.4	23.5	55
26	10.4	52	85

CABLE AWG	OD	MIN BEND RADIUS (mm)	MIN BEND SPACE (mm)
30	4.2	21	38
28	4.7	23.5	41
26	5.2	26	44

LOW SPEED SIGNALS	
QSFP+	
PAD	SIGNAL
08	ModSelL
09	ResetL
10	VccRx
11	SCL
12	SDA
27	ModPrsL
28	IntL
29	VccTx
30	Vcc1
31	LPMODE

LOW SPEED SIGNALS	
SFP+	
PAD	SIGNAL
02	Tx_Fault
03	Tx_Disable
04	SDA
05	SCL
06	Mod_ABS
07	RS0
08	Rx_LOS
09	RS1
15	VccR
16	VccT

FUNCTIONAL SYMBOLS $F_A = 0$ $F_C = 0$ $F_P = 0$	THIS DRAWING CONTAINS INFORMATION THAT IS PROPRIETARY TO MOLEX ELECTRONIC TECHNOLOGIES, LLC AND SHOULD NOT BE USED WITHOUT WRITTEN PERMISSION DIMENSION UNITS: mm SCALE: NTS CURRENT REV DESC: SHEET 2 ZONE E12 : UPDATED VALUES OF MIN BEND RADIUS AND MIN BEND SPACE IN TABLE FOR 26AWG.			
	GENERAL TOLERANCES (UNLESS SPECIFIED) ANGULAR TOL $\pm 1.0^\circ$		PRODUCT CUSTOMER DRAWING DOCUMENT NUMBER: 747640001 DOC TYPE: PSD DOC PART: 000 REVISION: T	
	4 PLACES \pm 3 PLACES \pm 2 PLACES ± 0.13 1 PLACE ± 0.25 0 PLACES \pm			EC NO: 730974 DRWN: CHETAB3 2022/10/12 CHK'D: VITTAD 2022/11/25 APPR: SCHANNARAYAN 2022/12/07 INITIAL REVISION: DRWN: EMEDINA02 2017/03/01 APPR: ARAYBURN 2017/03/14
	DRAFT WHERE APPLICABLE MUST REMAIN WITHIN DIMENSIONS			
DOCUMENT STATUS P1 RELEASE DATE 2022/12/07 08:08:41	DRAWING D-SIZE SERIES 74764 MATERIAL NUMBER SEE PN TABLE CUSTOMER GENERAL MARKET SHEET NUMBER 2 OF 3			

PRODUCT LABEL DETAIL



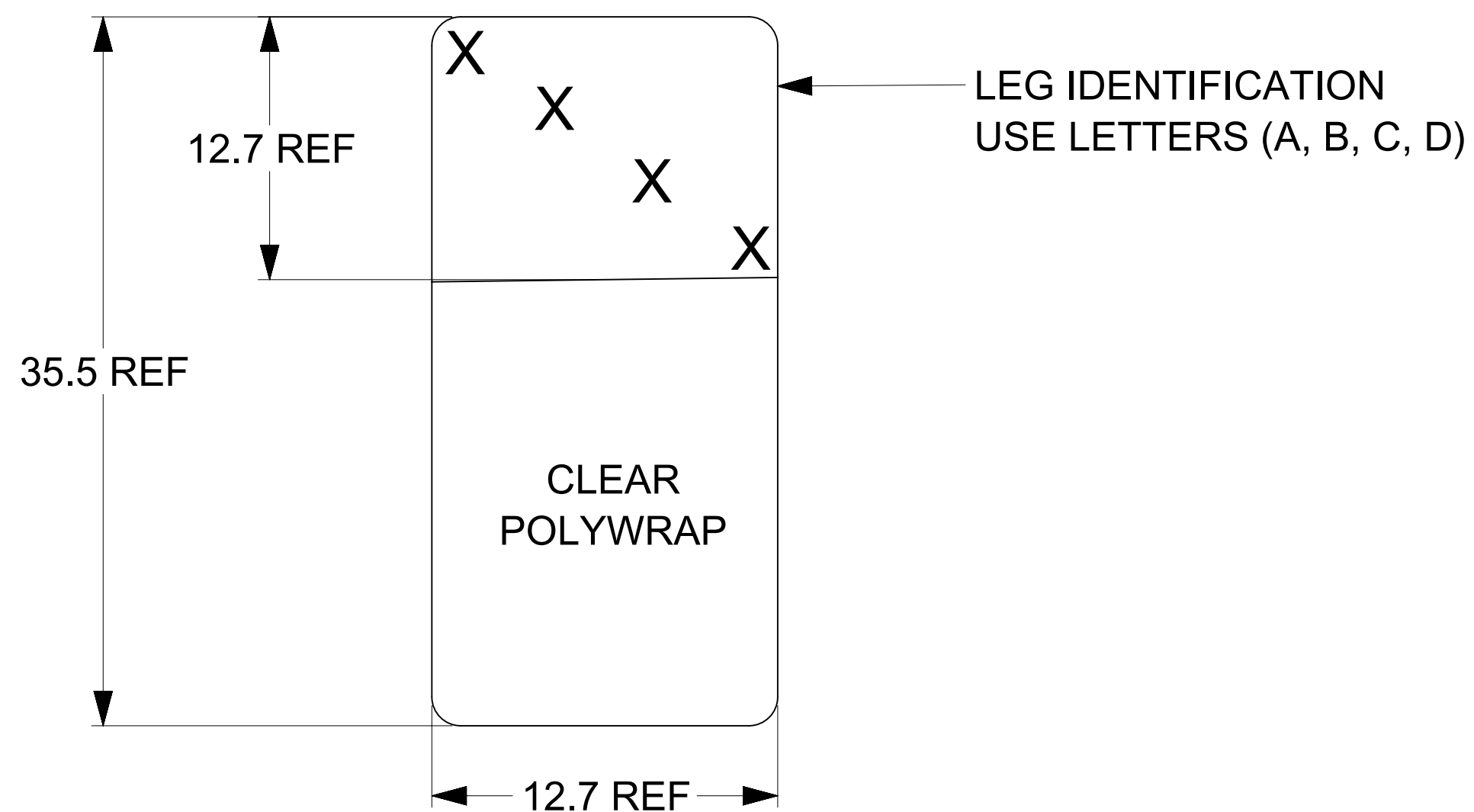
P/N SEE TABLE FOR PN
 X.XM = LENGTH AS SHOWN IN TABLE
 XXAWG = AWG SIZE

YDDLSSSS
 Y = LAST DIGIT OF THE YEAR
 DDD = DAY OF THE YEAR
 L = LOCATION
 1 = US
 2 = MEXICO
 3 = CHINA
 4 = PHILIPPINES
 SSSS = (0001-9999)

PART NUMBER TABLE

MOLEX P/N	LENGTH	TOL.	AWG
747641051	0.5M	±0.03M	30
747641101	1.0M	±0.05M	30
747641053	1.5M	±0.05M	30
747641201	2.0M	±0.05M	30
747641251	2.5M	±0.05M	30
747641301	3.0M	±0.05M	30
747642301	3.0M	±0.05M	28
747642602	5.0M	±0.08M	26

SFP LEG IDENTIFICATION LABEL DETAIL



FUNCTIONAL SYMBOLS $\nabla_A = 0$ $\nabla_C = 0$ $\nabla_D = 0$	THIS DRAWING CONTAINS INFORMATION THAT IS PROPRIETARY TO MOLEX ELECTRONIC TECHNOLOGIES, LLC AND SHOULD NOT BE USED WITHOUT WRITTEN PERMISSION		CURRENT REV DESC: SHEET 2 ZONE E12 : UPDATED VALUES OF MIN BEND RADIUS AND MIN BEND SPACE IN TABLE FOR 26AWG.				
	DIMENSION UNITS	SCALE	GENERAL TOLERANCES (UNLESS SPECIFIED)				
	mm	NTS	ANGULAR TOL ± 1.0°				
	GENERAL TOLERANCES (UNLESS SPECIFIED)		4 PLACES ±				
DIVISIONAL SYMBOLS	3 PLACES ±		EC NO: 730974		PRODUCT CUSTOMER DRAWING DOCUMENT NUMBER: 747640001 DOC TYPE: PSD DOC PART: 000 REVISION: T		
	2 PLACES ± 0.13		DRWN: CHETAB3 2022/10/12				
	1 PLACE ± 0.25		CHK'D: VITTAD 2022/11/25				
	0 PLACES ±		APPR: SCHANNARAYAN 2022/12/07				
DRAFT WHERE APPLICABLE MUST REMAIN WITHIN DIMENSIONS		THIRD ANGLE PROJECTION	DRAWING	SERIES	MATERIAL NUMBER	CUSTOMER	SHEET NUMBER
			D-SIZE	74764	SEE PN TABLE	GENERAL MARKET	3 OF 3