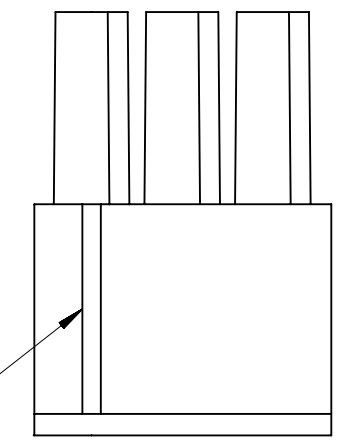
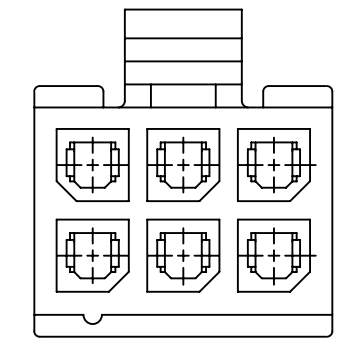
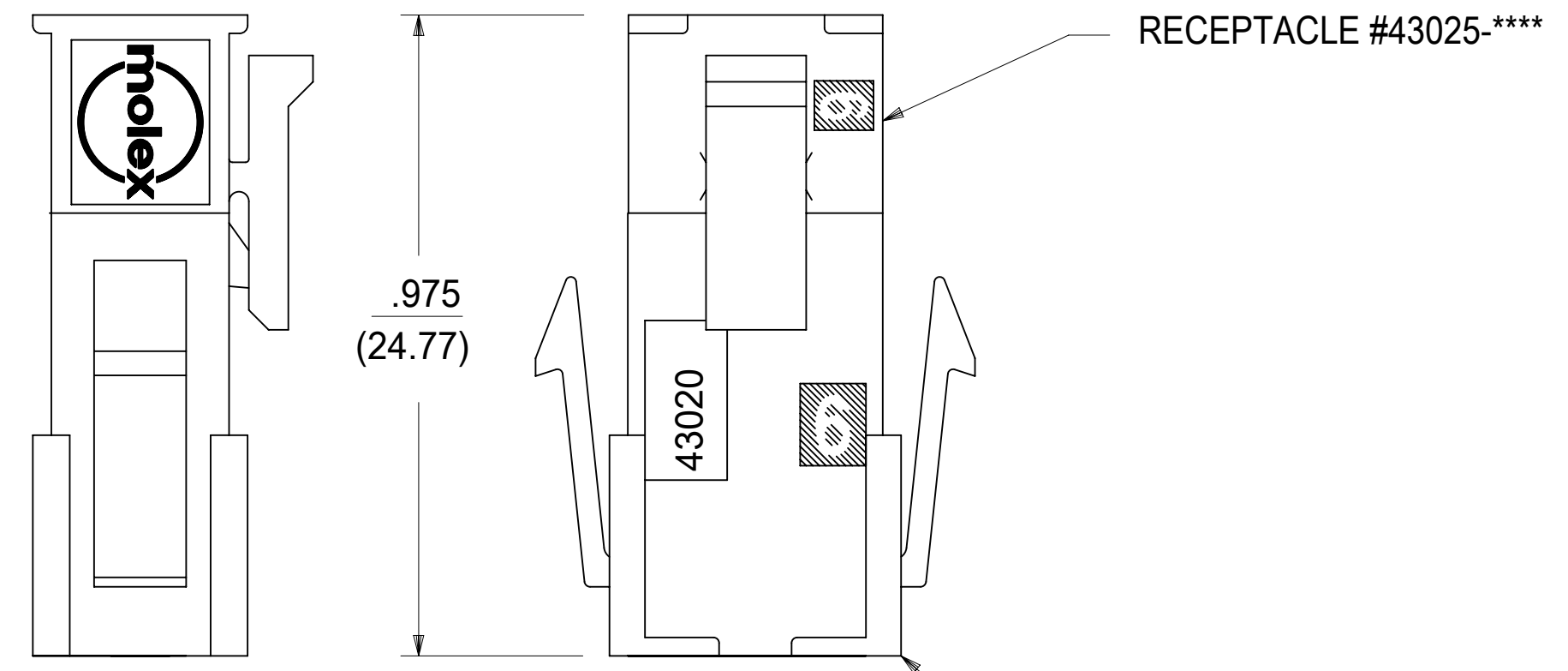
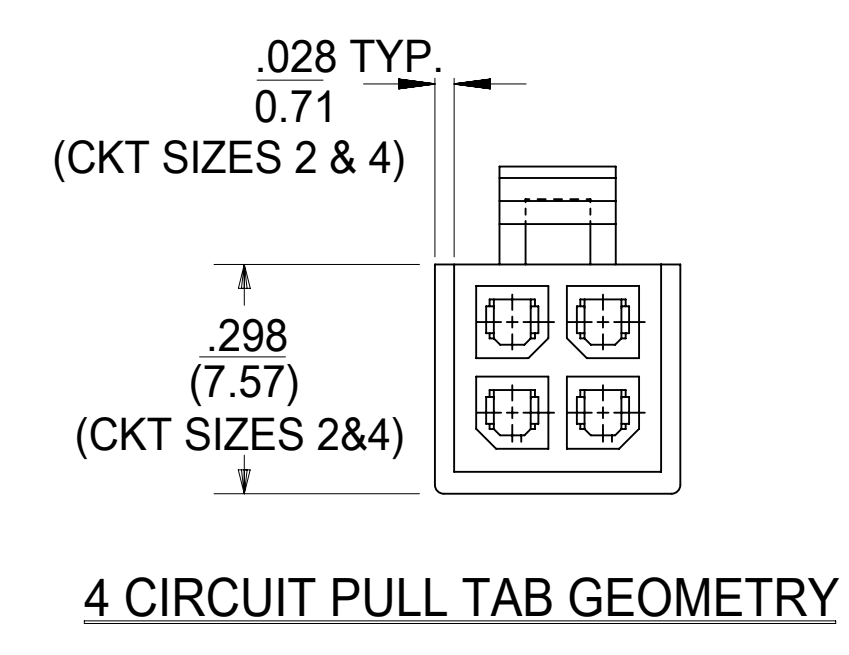
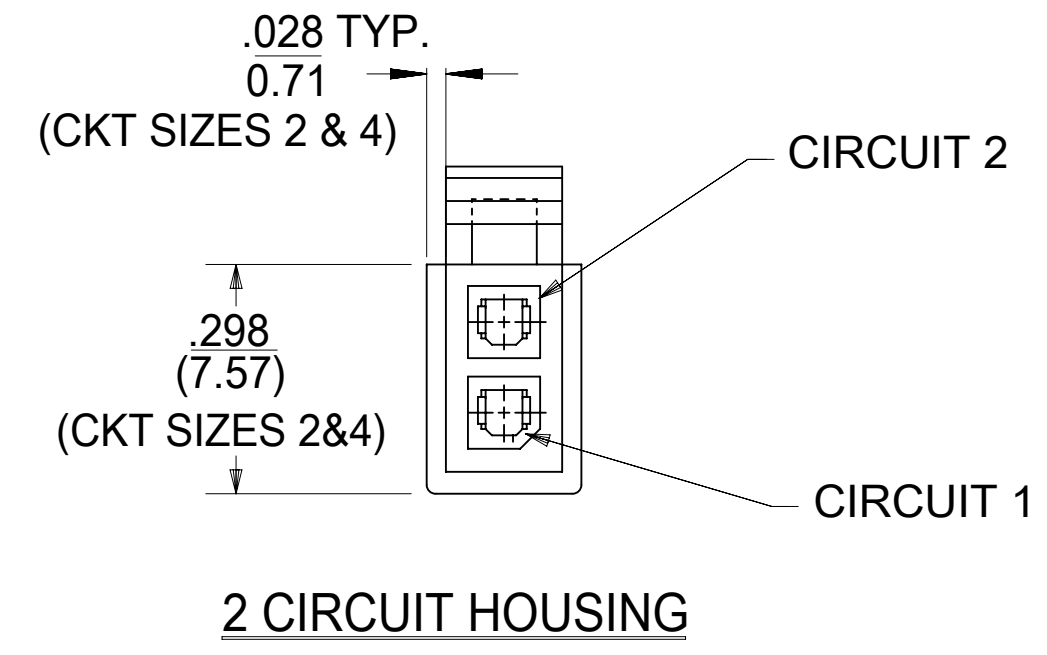
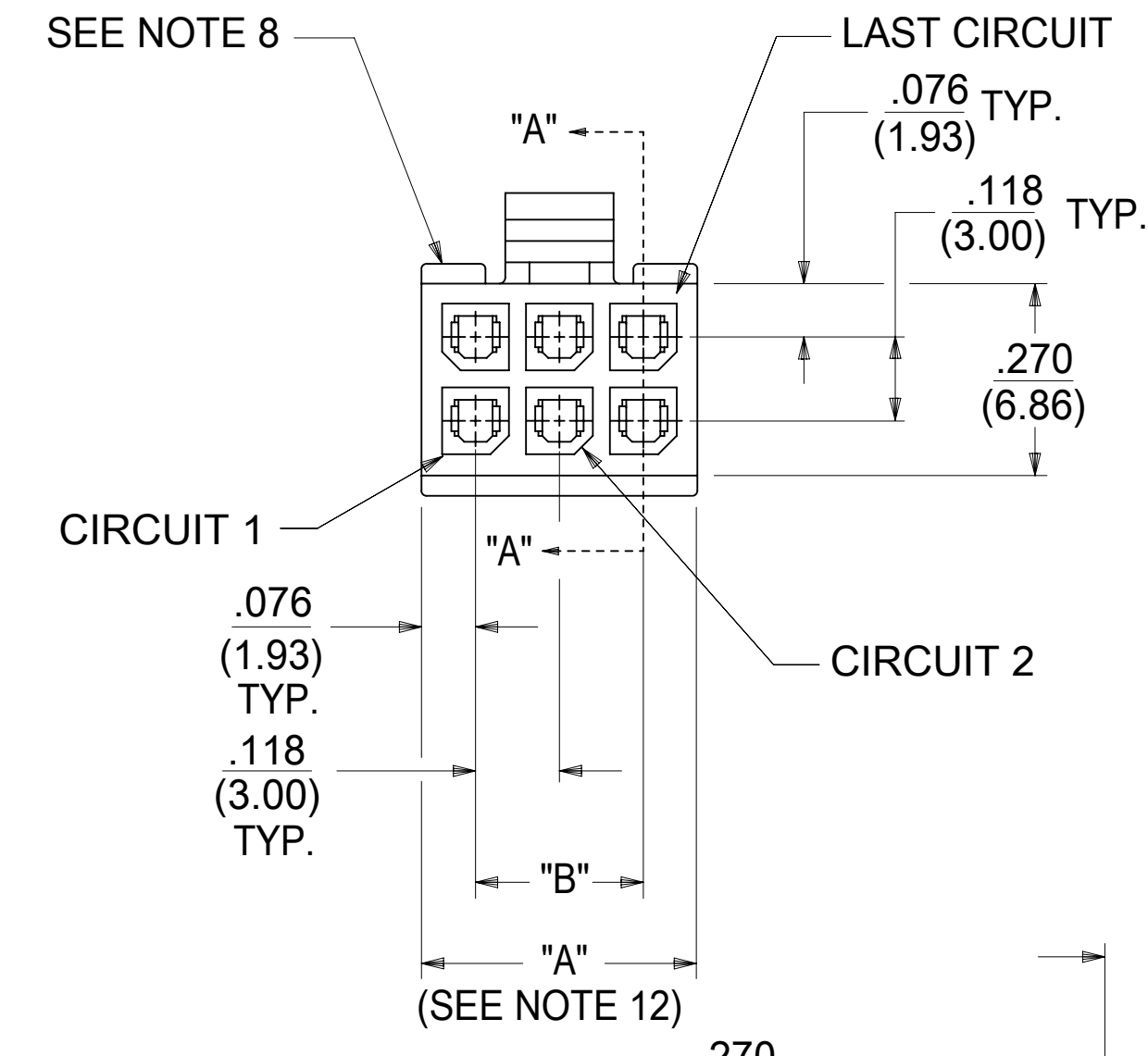


PART CHARACTERISTICS	
NUMBER OF POSITION	ASSEMBLY ITEM NUMBER
02	43025-0208
04	43025-0408
06	43025-0608
08	43025-0808
10	43025-1008
12	43025-1208
14	43025-1408
16	43025-1608
18	43025-1808
20	43025-2008
22	43025-2208
24	43025-2408

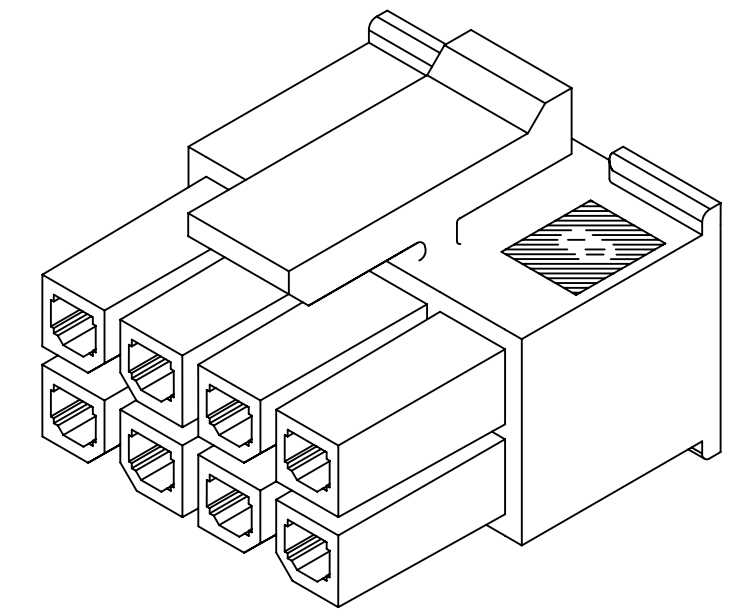
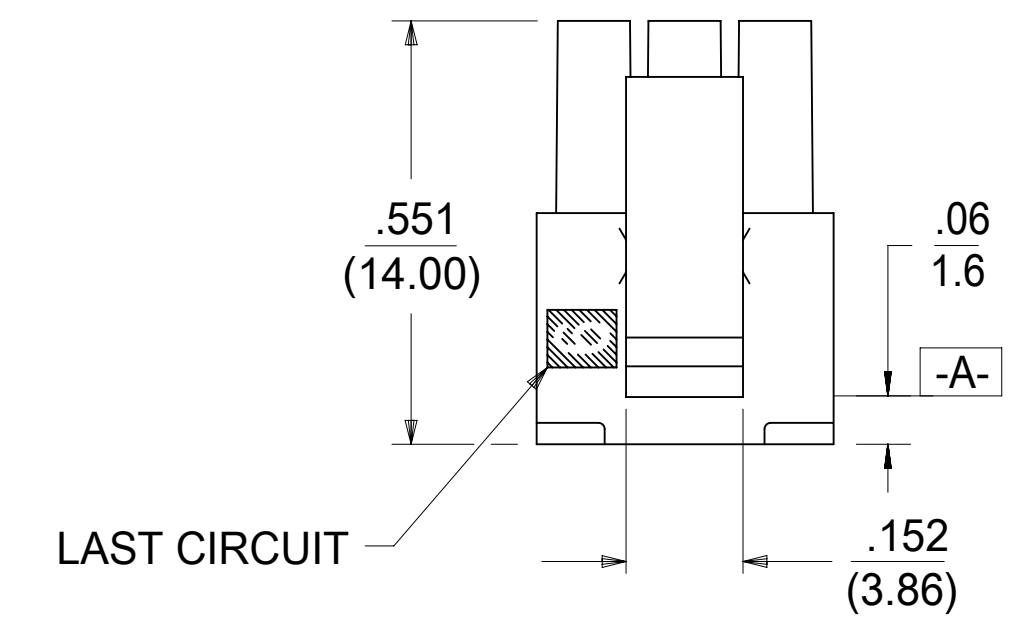
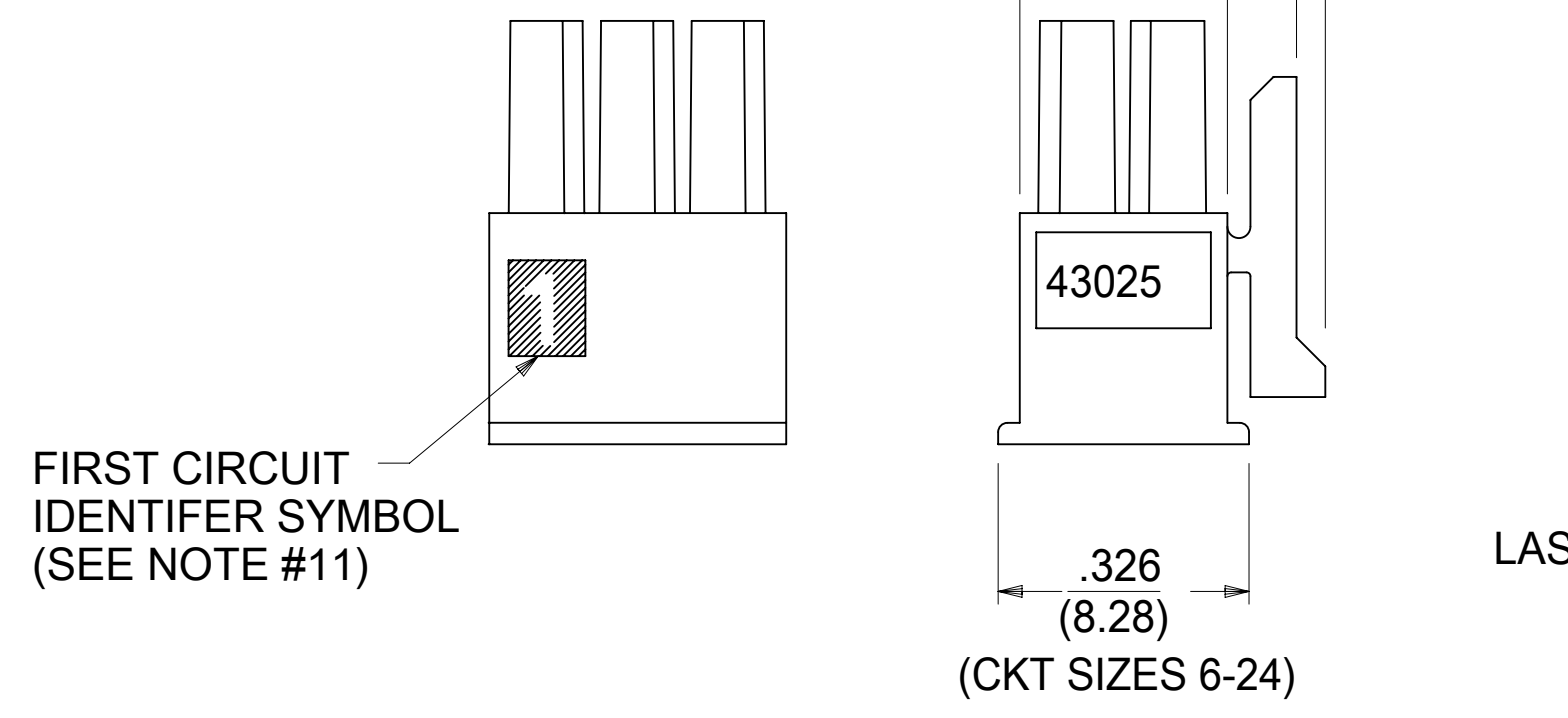
CKT. NO.	DIM. "A" +.014 -.010 +0.35 -0.25	DIM. "B"
2	.152(3.86)	N/A
4	.270(6.85)	.118(3.00)
6	.388(9.85)	.236(6.00)
8	.506(12.85)	.354(9.00)
10	.624(15.85)	.472(12.00)
12	.742(18.85)	.591(15.00)
14	.860(21.85)	.709(18.00)
16	.978(24.85)	.827(21.00)
18	1.096(27.85)	.945(24.00)
20	1.215(30.85)	1.063(27.00)
22	1.333(33.85)	1.181(30.00)
24	1.451(36.85)	1.299(33.00)



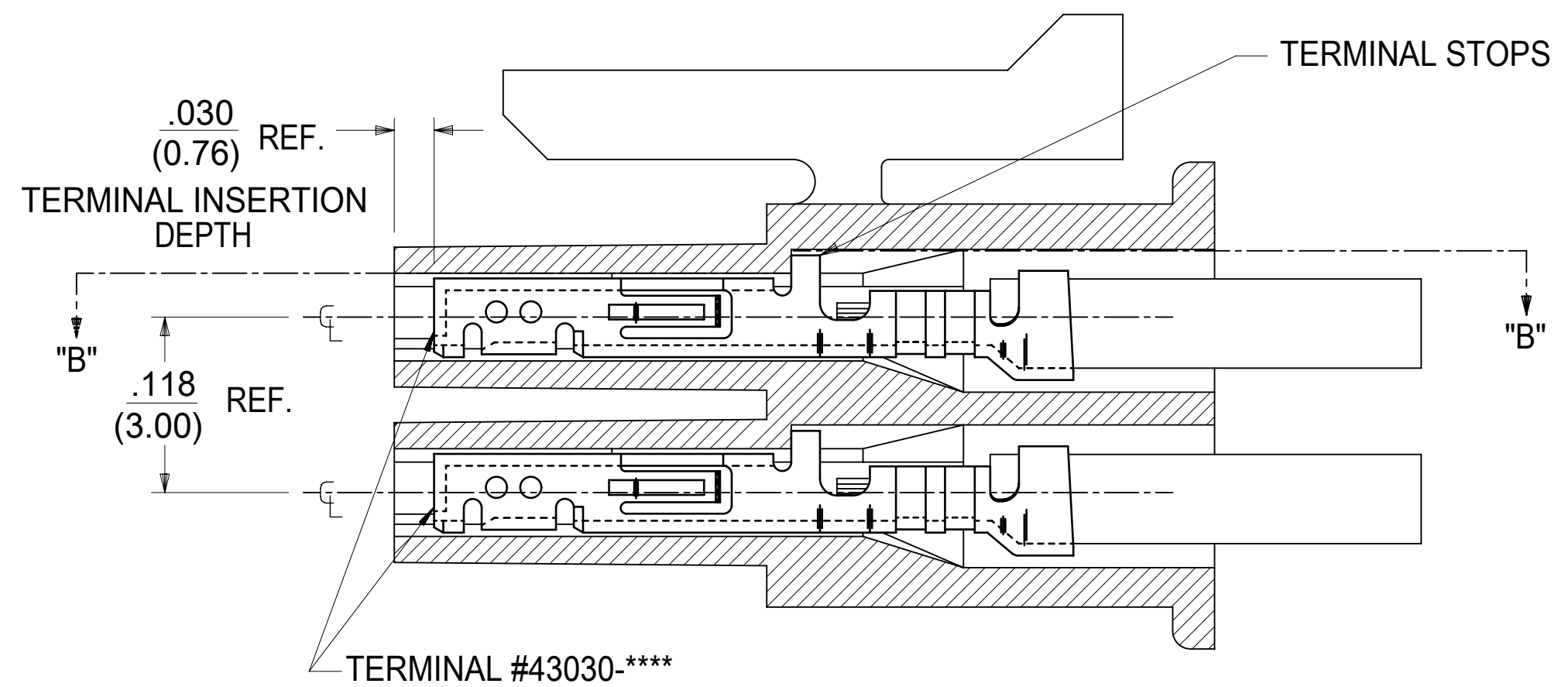
HOUSING SHOWN WITH FIRST CIRCUIT IDENTIFIER RIB (SEE NOTE #11)



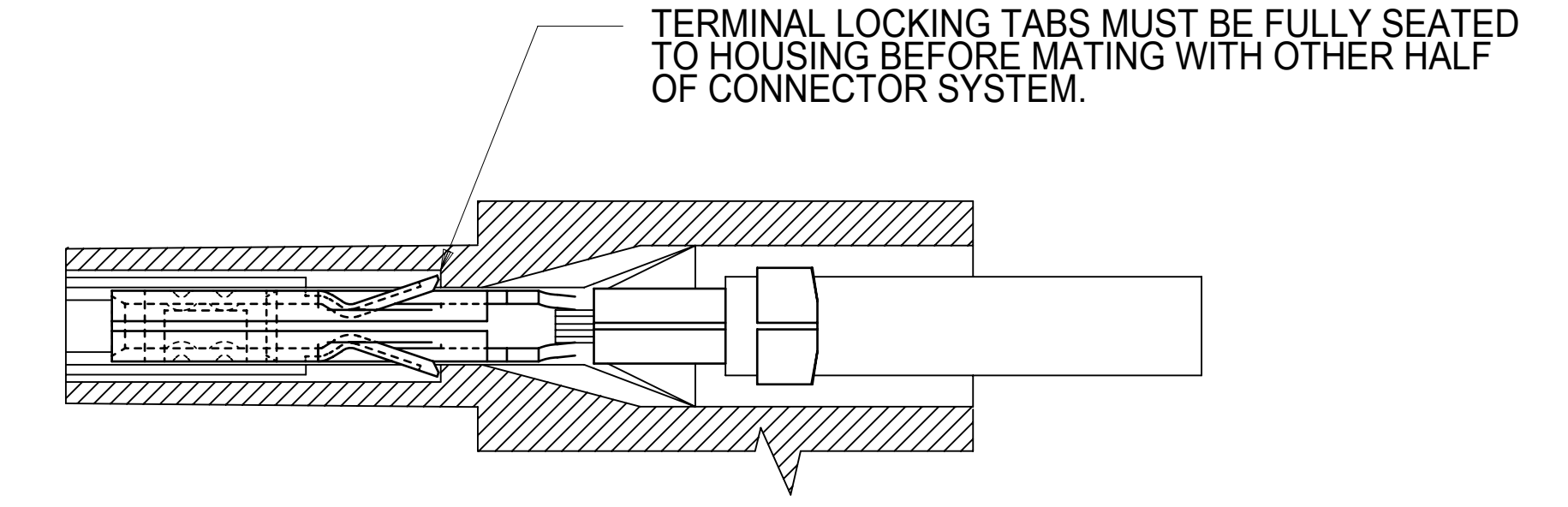
MATED MICRO-FIT CONNECTOR



RECEPTACLE ISO VIEW (8 CURCUIT SHOWN) (SEE NOTE 9 FOR TESTING)



SECTION "A"-"A" WITH TERMINAL (SCALE 10:1)



SECTION "B"-"B" (SCALE 10:1)

- NOTES:
- 1) HOUSING MATERIAL: UNFILLED NYLON, RATED UL 94V-0, COLOR IS BLACK, (LOW HALOGEN)
 - 2) FINISH: N/A
 - 3) PRODUCT SPECIFICATION: PS-43045
 - 4) PACKAGING SPECIFICATION: PK-43025-001
 - 5) THIS RECEPTACLE MATES WITH 43020, 43045
 - 6) THIS RECEPTACLE TO BE USED WITH MOLEX FEMALE TERMINAL SERIES 43030 OR 46235. SEE SECTION "A"-"A" FOR TERMINAL ORIENTATION IN HOUSING.
 - 7) FOR OVERMOLDING PARAMETERS SEE APPLICATION SPECIFICATION 430250000-AS
 - 8) TOP PULL TABS ARE NOT AVAILABLE ON 2 AND 4 CIRCUIT PARTS
 - 9) MOLEX RECOMMENDS THE USE OF MICRO-FIT TEST PLUG, SERIES NO. 44242-**** WHENEVER TESTING IS PERFORMED. TEST PLUGS MUST NOT BE USED FOR MAKE OR BREAK UNDER LOAD. MOLEX DOES NOT RECOMMEND USING STANDARD MATING COMPONENTS FOR HARNESS TESTING PURPOSES.
 - 10) SOME HOUSINGS MAY HAVE A SMALL GATE BLEMISH NEAR THE GATE THAT DOES NOT AFFECT FUNCTIONALITY
 - 11) HOUSINGS HAVE EITHER AN IDENTIFIER RIB OR ENGRAVED "1" SYMBOL TO INDICATE CIRCUIT #1. IDENTIFIER TYPE IS TOOL DEPENDENT AND NOT SELECTABLE.
 - 12) DIMENSION 'A' MEASURED AT DATUM
 - 13) THIS PART CONFORMS TO CLASS 'B' REQUIREMENTS OF COSMETIC SPECIFICATION PS-45499-002
 - 14) TEXT ON PART IS FOR REFERENCE ONLY. TEXT AND TEXT LOCATION MAY VARY DEPENDING ON PART NUMBER AND/OR TOOL.

SYMBOLS	THIS DRAWING CONTAINS INFORMATION THAT IS PROPRIETARY TO MOLEX ELECTRONIC TECHNOLOGIES, LLC AND SHOULD NOT BE USED WITHOUT WRITTEN PERMISSION		CURRENT REV DESC: UPDATE NOTE 7	
	DIMENSION UNITS	SCALE		
▽ = 0	IN/MM	NTS		
▽ = 0	GENERAL TOLERANCES (UNLESS SPECIFIED)			
▽ = 0		MM	INCH	
▽ = 0	4 PLACES	±	±	
▽ = 0	3 PLACES	±	± 0.01	
▽ = 0	2 PLACES	±	± 0.014	
▽ = 0	1 PLACE	±	± 0.35	
⊠ = 0	0 PLACES	±	±	
■ = 0	ANGULAR TOL		± 0.5 °	
▽ = 0	DRAFT WHERE APPLICABLE MUST REMAIN WITHIN DIMENSIONS			
	THIRD ANGLE PROJECTION	DRAWING	SERIES	
		D-SIZE	43025	
		MATERIAL NUMBER	CUSTOMER	
		SEE CHART	GENERAL MARKET	
		SHEET NUMBER	1 OF 1	



MICRO-FIT (3.0) RECEPTACLE, LOW HALOGEN DUAL ROW / 2 THRU 24 CIRCUIT

PRODUCT CUSTOMER DRAWING

DOCUMENT NUMBER	DOC TYPE	DOC PART	REVISION
SD-43025-001	PSD	001	A8