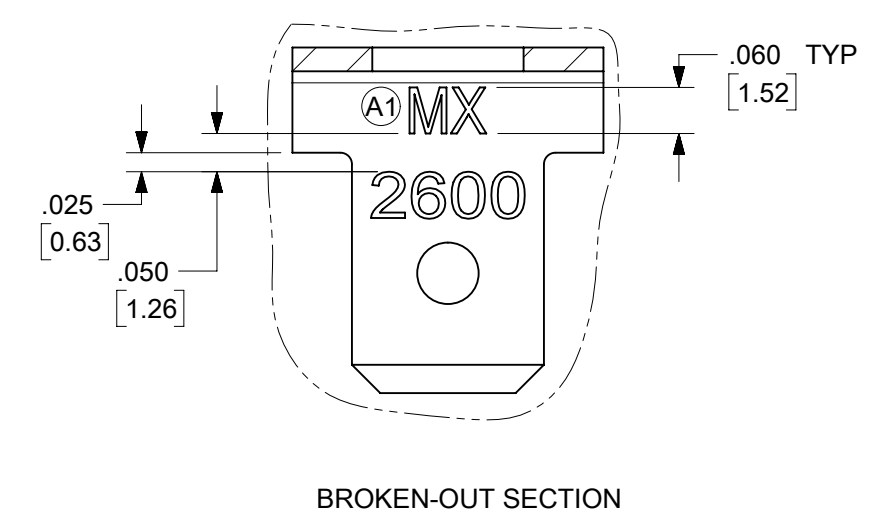
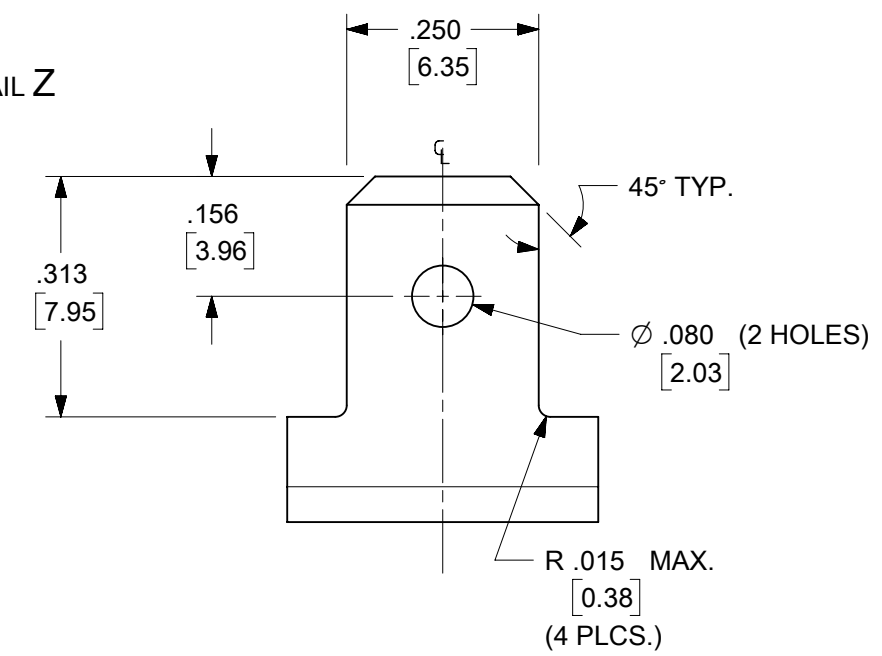
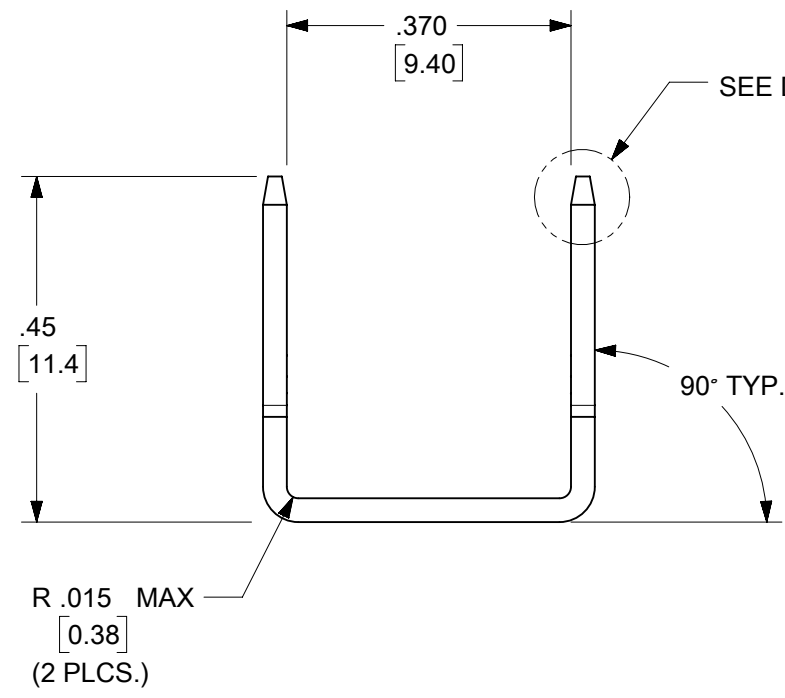
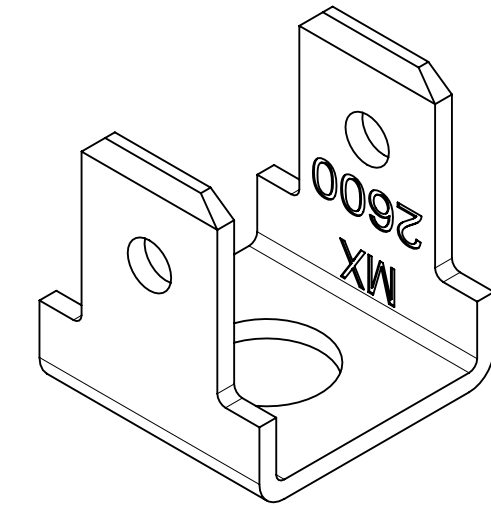
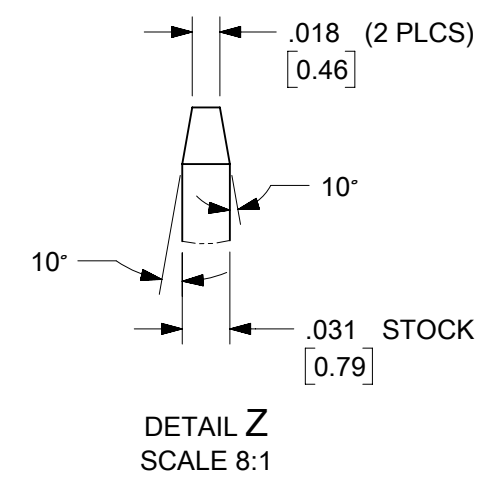
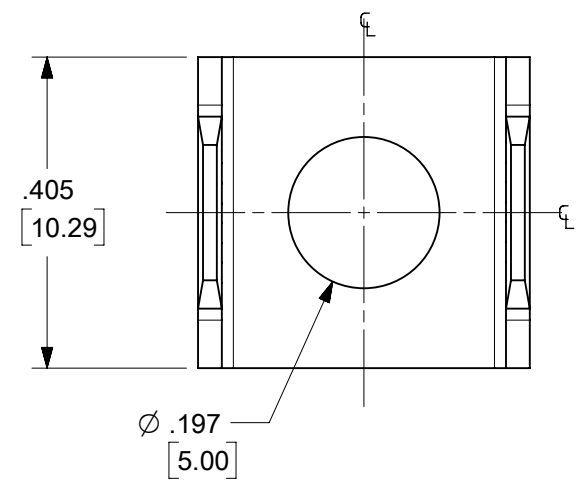


10	9	8	7	6	5	4	3	2	1
MATERIAL NO.	ENGINEERING NO.	DESCRIPTION	MATERIAL	FINISH					
380020441	2612	TERMINAL, FAST TAB, VRVR	BRASS	TIN PLATE					

NOTES:  
 1. ALL DIM'S SHOWN ARE BEFORE PLATING.  
 2. PART IS RoHS COMPLIANT.



THIS DRAWING CONTAINS INFORMATION THAT IS PROPRIETARY TO MOLEX ELECTRONIC TECHNOLOGIES, LLC AND SHOULD NOT BE USED WITHOUT WRITTEN PERMISSION									
DIMENSION UNITS in/[mm]		SCALE 4:1		CURRENT REV DESC: "MX" WAS "BEAU"				<b>molex</b>	
GENERAL TOLERANCES (UNLESS SPECIFIED)				EC NO: 650468 DRWN: RMV02 2020/11/13 CHK'D: DMYRICK 2020/12/04 APPR: EJOHNSON04 2020/12/18					
		MM	INCH					TERMINAL, FAST TAB, VRVR	
4 PLACES ±		± 0.0015		PRODUCT CUSTOMER DRAWING					
3 PLACES ±		0.038 ±	0.005	INITIAL REVISION:				DOCUMENT NUMBER	
2 PLACES ±		0.13 ±	0.01	DRWN: DRWN BY 0099/99/99				SD-38002-0441	
1 PLACE ±		0.3 ±		APPR: APPR BY 0099/99/99				DOC TYPE DOC PART REVISION	
0 PLACES ±		±		THIRD ANGLE PROJECTION				PSD 001 A1	
ANGULAR TOL ±		2.0°		DRAWING		SERIES		MATERIAL NUMBER CUSTOMER SHEET NUMBER	
DRAFT WHERE APPLICABLE MUST REMAIN WITHIN DIMENSIONS				B-SIZE		38002		SEE TABLE GENERAL MARKET 1 OF 1	

DOCUMENT STATUS	P1	RELEASE DATE	2020/12/18 14:47:48
-----------------	----	--------------	---------------------