

1 2 3 4 5 6 7

A

A

B

B

C

C

D

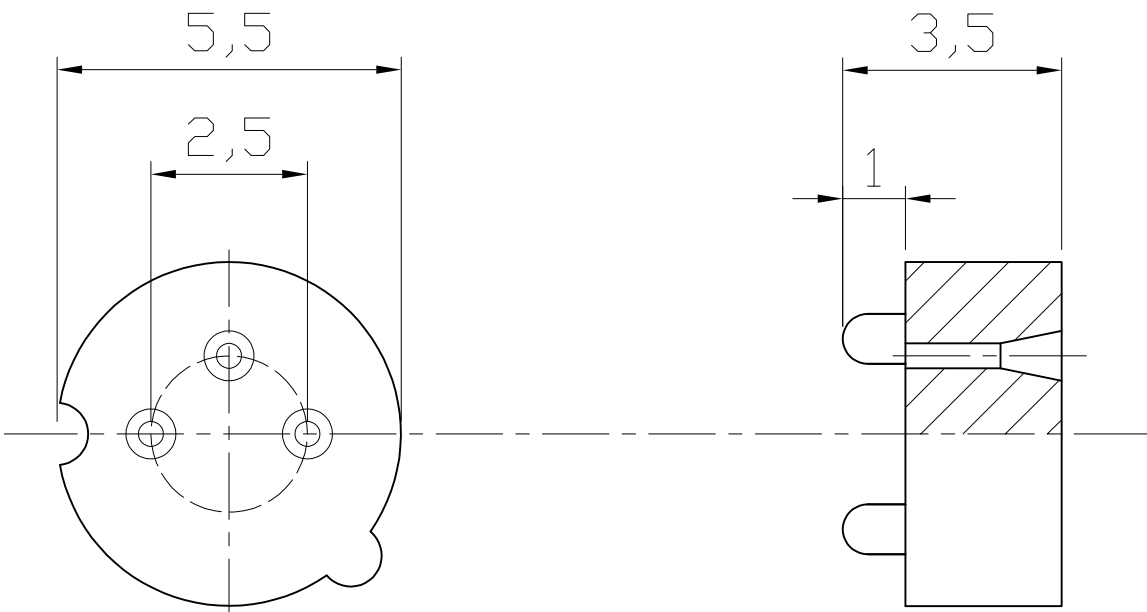
D

E

E

F

F



RoHS compliant  
Unit:mm

Material : PA 6

Scale	1:1					Date	Name	Customer-No.
TOLERANCE					Drawn	20.08.2009	Dean	
X.	±X	④	Change Material	01.07.2021	Larsen	Approved	01.07.2021	Larsen
X.X	±X	③	Material add.	31.05.2011	Schulz			
X.XX	±X	②	Modify drawing layout	10.03.2010	Alex			
DIM	TOL	①	Drawn	20.08.2009	Dean			
X.°	±X°							
X.X°	±X°							
Angle	TOL	Id.	Modification	Date	Name			

ASSMANN WSW-No. V4718

Drawing-No. ASS 0925 HS rev04

Replace Sheet



1 2 3 4 5 6 7

G

G

H

H