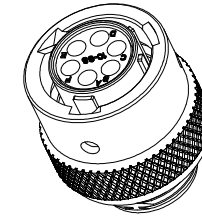
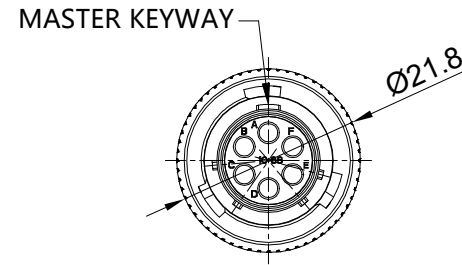
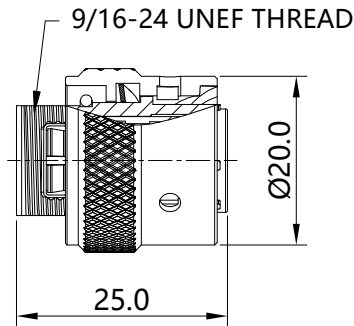


REVISIONS					
REV	ECO	DESCRIPTION	DATE	BY	APPR
B1	--	RELEASED DRAWING	JUN-26-2014	BEN	TOMMY
B2	--	MODIFY THE INSERT LETTER LOCATION	MAY-20-2016	BEN	TOMMY
B3	--	UPDATE RATED VOLTAGE	NOV-11-2022	JUN	TOMMY



NOTES: (UNLESS OTHERWISE SPECIFIED)

1. MATERIAL:

- SHELL: ZINC ALLOY, NICKEL PLATED.
- INSERT: THERMOPLASTIC, UL94 V-0.
- COUPLING NUT: AL ALLOY, NICKEL PLATED.
- WAVE WASHER: STAINLESS STEEL.
- O-RING: NBR/SILICONE RUBBER.

2. SPECIFICATIONS:

2.1 RATED CURRENT:

- 2.1.1 STAMPED CONTACT: 5A (MAX) .
- 2.1.2 MACHINED CONTACT : 7.5A (MAX) .

**B3** 2.2 RATED VOLTAGE: 250V (AC/DC) .

2.3 OPERATING TEMPERATURE: SEE CHART.

2.4 DIELECTRIC WITHSTANDING VOLTAGE: LESS THAN 2 MILLIAMPS CURRENT LEAKAGE@1500 VOLTS AC.

2.5 INSULATION RESISTANCE: 5000 MEGOHMS MIN.

2.6 IP--CLASS: IP67.

2.7 MATING CYCLES DURABILITY: 500 CYCLES MIN.

2.8 RoHS COMPLIANT.

3. SUITABLE CONTACTS : 20# CONTACTS.

4. ALL DIMENSIONS ARE FOR REFERENCE USE ONLY.

KEY POS	PART NUMBER	
	-40°C ~ 105°C	-40°C ~ 125°C
N	RT0W6106SNH	RT0W6106SNH03
W	RT0W6106SWH	RT0W6106SWH03
X	RT0W6106SXH	RT0W6106SXH03
Y	RT0W6106SYH	RT0W6106SYH03
Z	RT0W6106SZH	RT0W6106SZH03

QUANTITY	PART NUMBER	DESCRIPTION	ITEM
<b>MATERIALS LIST</b>			
<b>UNLESS OTHERWISE SPECIFIED</b> 1) All dimensions are in metric(mm). 2) Tolerances are as follows: 1 PL DEC ±0.30 2 PL DEC ±0.15 3 PL DEC ±0.08 Fractions ±1/64 Angles ±1° 3) Note reference =		<b>SIGNATURES</b> <b>DATE</b> DRAWN: JUN    NOV-11-2022 CHECKED: ORION    DEC-12-2022 ENGINEER: APPROVAL: TOMMY    DEC-14-2022 CUSTOMER:	 Sine Systems - www.amphenol-sine.com 44724 Morley Drive Clinton Township, MI 48036
MATERIAL SPECIFICATIONS: THIS DRAWING IS SUPPLIED FOR INFORMATION ONLY. DESIGN FEATURES, SPECIFICATIONS AND PERFORMANCE DATA SHOWN HEREON ARE THE PROPERTY OF THE AMPHENOL CORPORATION. NO RIGHTS OF REPRODUCTION ARE IMPLIED. ALL DIMENSIONS ARE SUBJECT TO NORMAL MANUFACTURING VARIATIONS.		ECO-MATE, PLUG, SIZE 10, 6POS, SOCKET.	DWG NO: <b>RT0W6106S*H*</b> REVISION <b>B3</b>
NEXT ASSY:	SCALE: NONE	SHEET 1 OF 1	

TITLE: ECO-MATE, PLUG, SIZE 10, 6POS, SOCKET.  
 DWG NO: RT0W6106S\*H\*  
 REV: B3  
 SH: 1  
 OF: 1