



PART NAME

PLASTIC INTERNAL PANEL

PART No.

PTX-25342-P

REVISION DATE

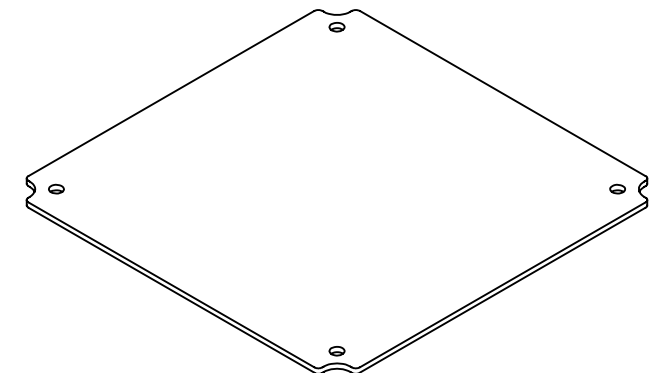
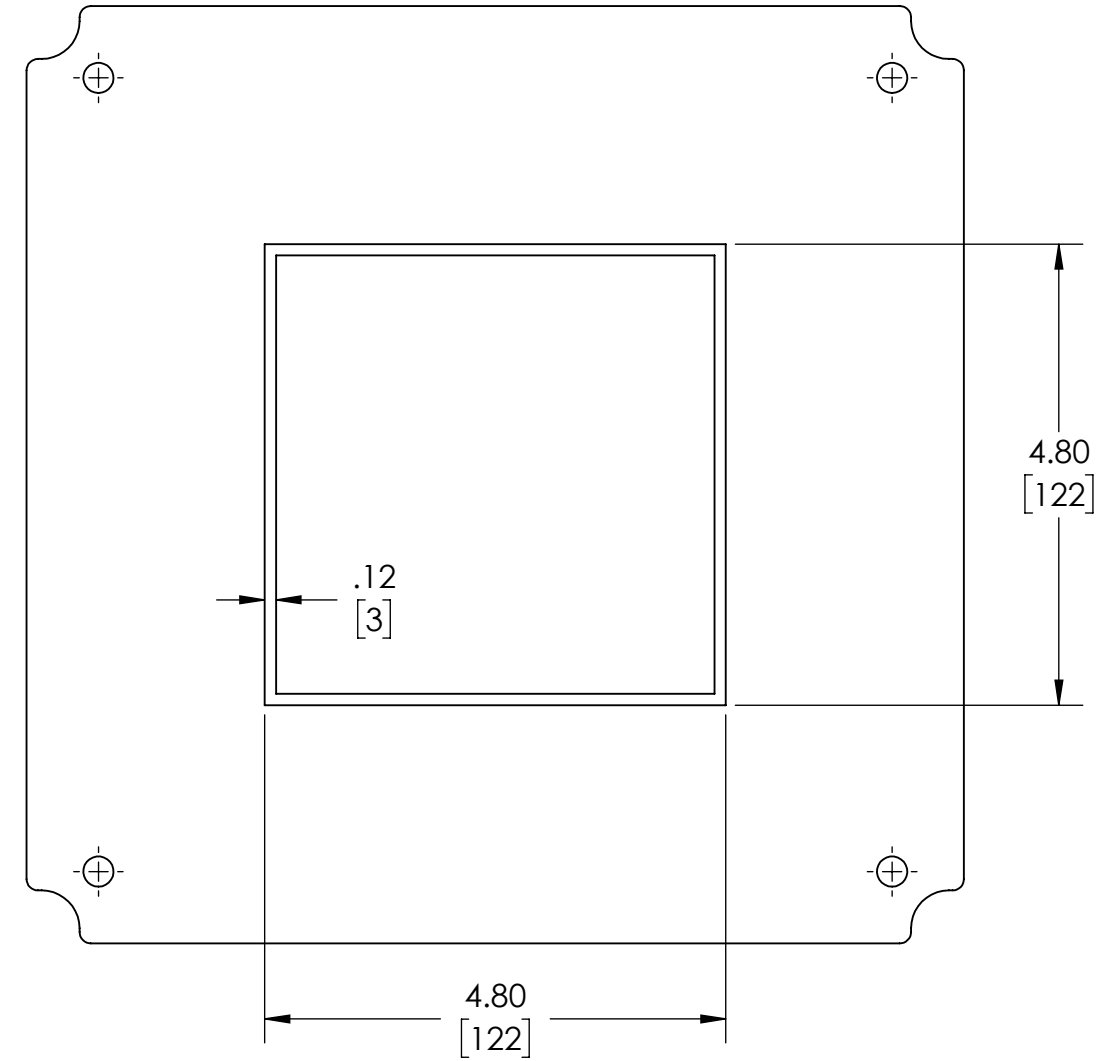
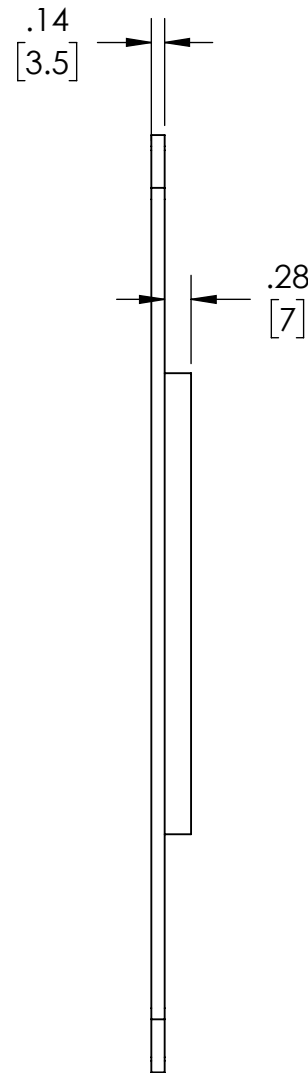
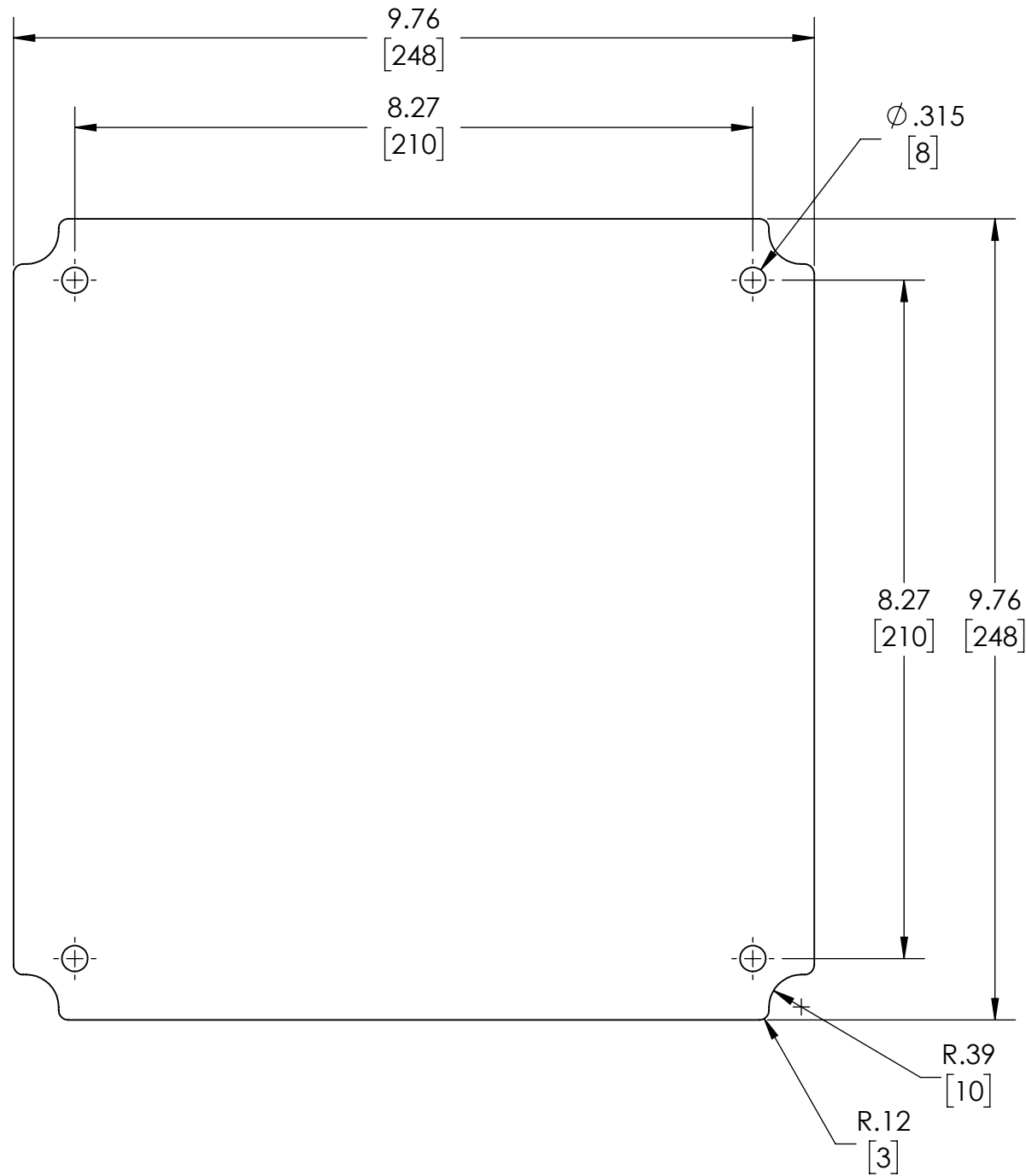
11-5-15

**DRAWING FOR REFERENCE**  
WE RESERVE THE RIGHT TO MAKE CHANGES TO OUR STANDARD PRODUCTS. PLEASE CONSULT WITH BUD INDUSTRIES PRIOR TO USING THIS DRAWING FOR DESIGN PURPOSE.

MATERIAL: ABS

COLOR: LIGHT GRAY

DIMENSIONS ARE INCH [MM]



PANEL FITS ENCLOSURE: #PTS-25342 & #PTS-25342-C  
(MOUNTING HARDWARE SUPPLIED WITH ENCLOSURE)