

5 Steps To Setup The Evaluation Board...

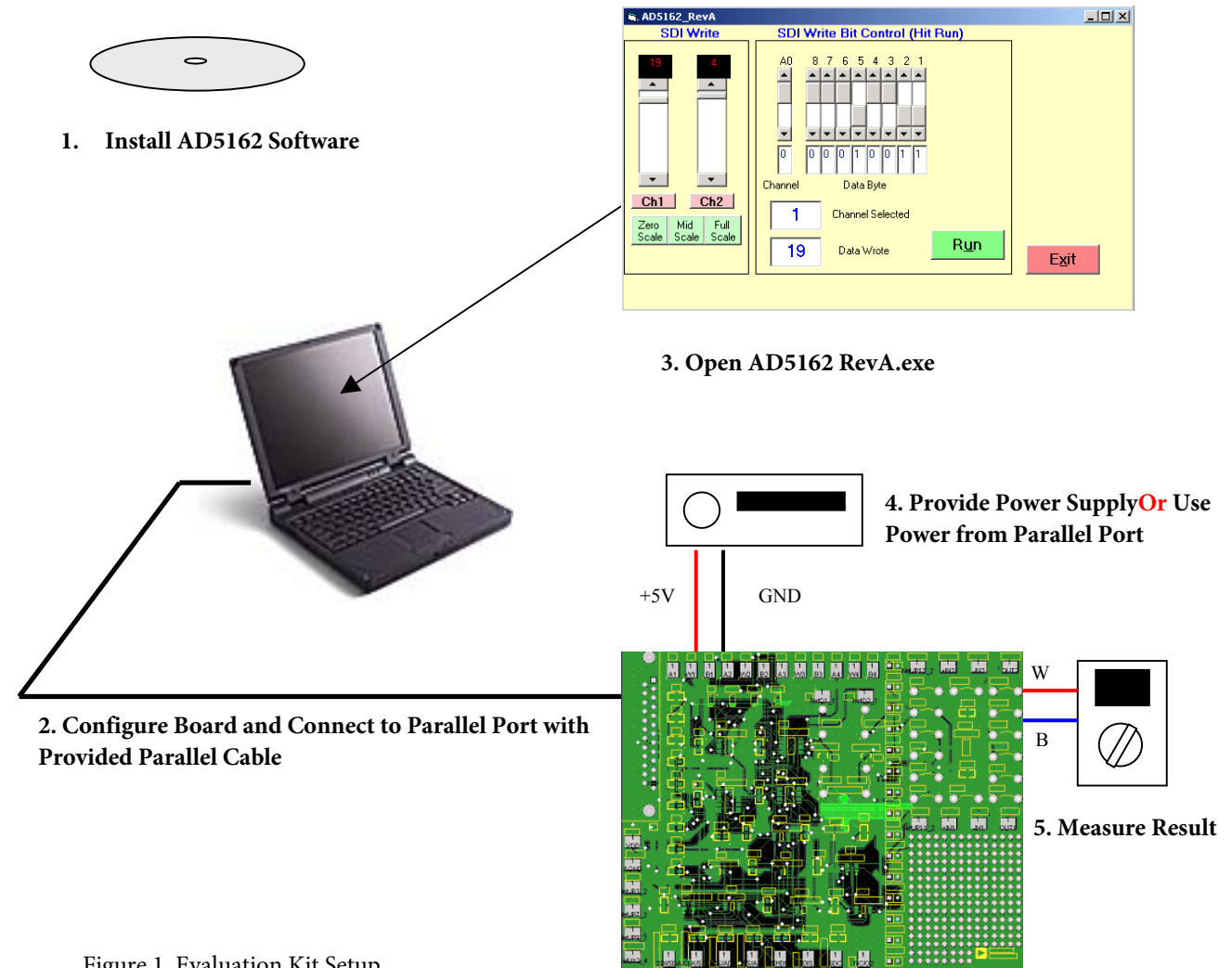


Figure 1. Evaluation Kit Setup

**No Programming
Skills Required!**

General Overview

This evaluation board provides the user with a simple and quick solution to evaluate digital potentiometers from Analog Devices. Only one digital pot can be placed on the board at a time. For the user's convenience, a general purpose opamp, 2.5V voltage reference, and two power MOSFETs are included and can be configured in a variety of flexible configurations. The digital pot can be used by itself or in conjunction with these other components.

How to Get Started

1. Click on the Install Software link in the Digital POT CD browser or setup.exe if you don't have the CD browser.
2. Configure board to your liking (refer to "Configuring Other Components" on page 4 for more details). A two channel opamp (AD822B), 2.5V reference (ADR03), and two power mosfets (FDV301N) are provided for your convenience. **If you would simply like to evaluate the digital pot, then ignore Step 2 and proceed to Step 3.**
3. **Apply a separate power supply or use power from the parallel port** (refer to "Powering the AD5162" on page 4 to avoid damaging the part).
4. Connect board to parallel port with provided parallel cable.
5. Open the AD5162 Rev A program from the Windows Start – Program. Move scroll bar to program resistance settings. The operation is self-explanatory.

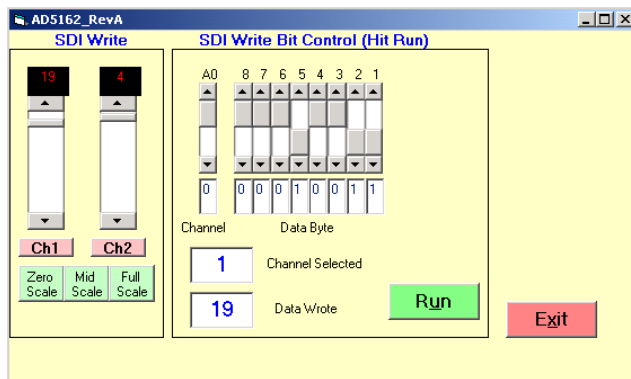


Figure 2. AD5162 Software Graphic al Interface

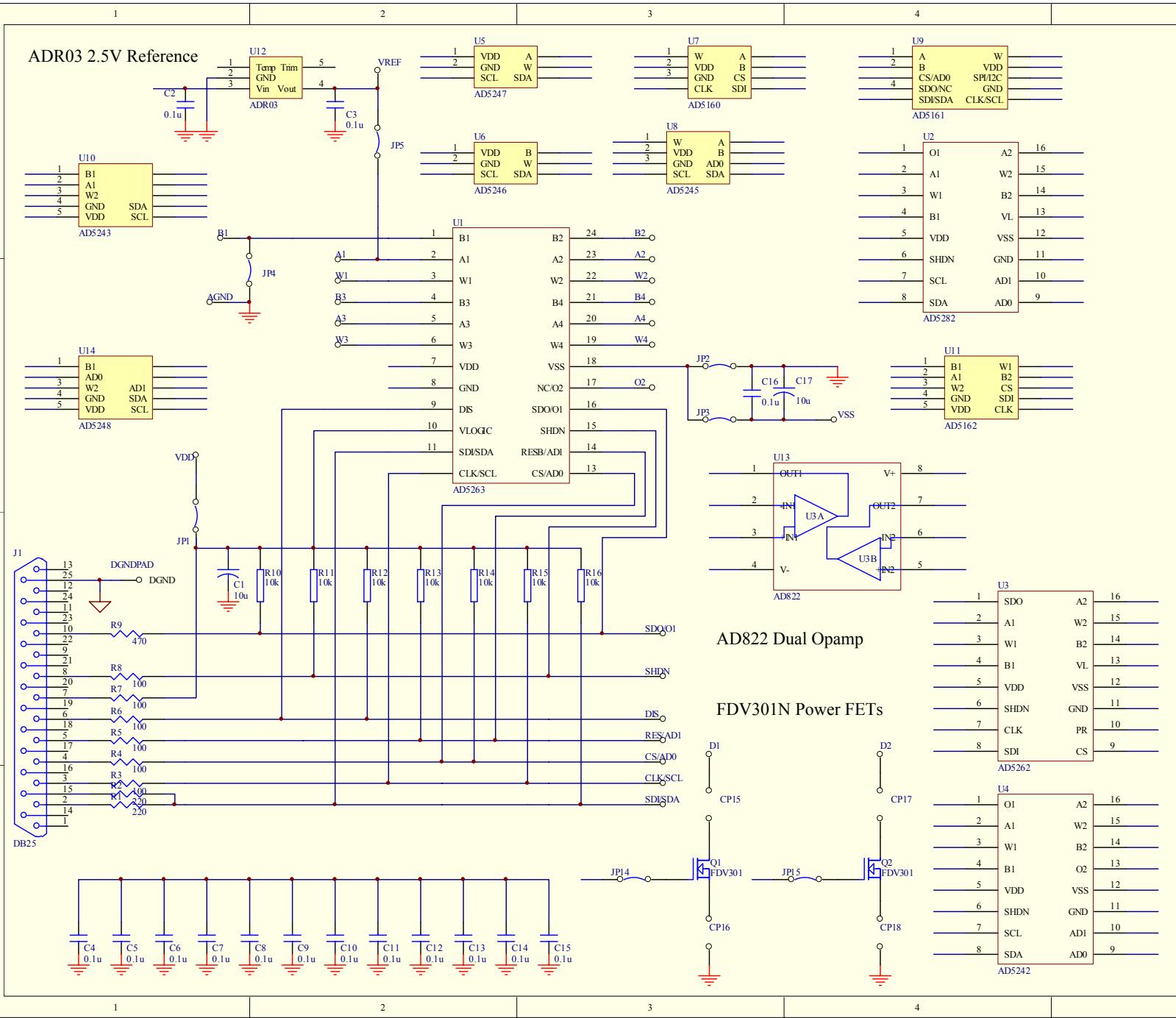


Figure 3. Evaluation Board Schematic

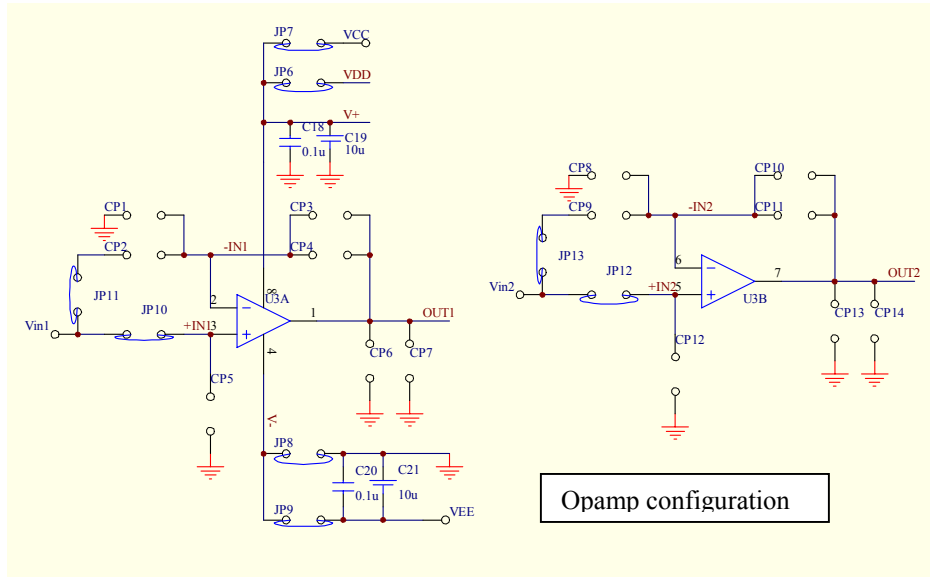


Figure 4. Detailed Opamp Connections

Powering the AD5162: Two Options for Powering

I. Using the power from the parallel port as VDD

Simply connect JP1.

The voltage level will be whatever your parallel port operates at.

II. Using a separate supply

DO NOT connect JP1.

Connect voltage supply power and ground to the VDD and GND pads on the board.

Configuring other Components

Two Channel Opamp - AD822

Positive Supply

To use the same VDD as the AD5162, connect JP6.

To use a separate positive supply, connect JP7 and apply positive supply (no more than +15V) to the VCC pad.

Negative Supply

To use GND, simply connect JP8.

To use a negative supply, connect JP9 and apply negative supply to VEE pad.

For more details on connectors and jumpers around the opamp, refer to Figure 4.

2.5V Voltage Reference – ADR03

By connecting JP5, the voltage reference is connected to the A-terminal of channel-1 of the AD5162. You don't need to worry about applying VDD because it is hardwired from the same source that is powering the AD5162.

Power Mosfets – FDV301N**Q1**

By connecting JP14, the wiper of channel-1 is connected to the gate of Q1. CP15 can be used to place a resistor between the drain and pad D1. CP16 can be used to place a degenerative resistor between the source and GND.

Q2

By connecting JP15, the wiper of channel-2 is connected to the gate of Q2. CP17 can be used to place a resistor between the drain and pad D2. CP18 can be used to place a degenerative resistor between the source and GND.

