

LAYOUT SHOWN AS EXAMPLE

Keying Shown as example

CHARACTERISTICS

- Standard : Based on MIL-DTL-38999 Series III
- Shell Material : Stainless Steel
- Shell Plating : Nickel
- Insulator : Thermoplastic
- Contacts : Copper Alloy
- Seals & Grommet : Silicon Elastomer
- Contact Plating : Gold over copper Alloy 0.8µm minimum
- Durability : 500 Mating cycles
- Delivered with Souriau contacts and Accessories
- Temperature Range : -65°C to +200°C
- Salt Spray : 500 hours

| Connector dimension | |
|---------------------|-----------------|
| Dim | Nominal |
| A | 44.5±0.3 |
| B | 30.15+0.1/-0.15 |
| R | 32.5Max |
| S | 41.3±0.4 |
| W | 2.2+0.9/-0.1 |
| VV THREAD | M25x1-6g |

SOURIAU shall not be liable for any non-conformity or damage due to a use of the Products which does not comply with the Specifications issued by either of the Parties or by a third party (professional recommendation, technical notice.)

| Country | Jurisdiction & Control List |
|---------|-----------------------------|
| FR | Not Listed |

PN: 8D717S20BA

| | | | |
|--------------|------------|--------------------------|-------------------------|
| A | 30-09-2016 | First Release | |
| ISS | DATE | Latest modification - by | MOD N° |
| Designed By: | | Date: | CUSTOMER DRAWING |

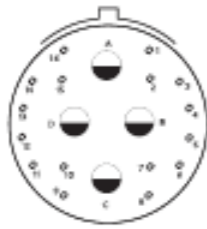
| | | | |
|--------------|--------------------------------------|--------------------------------|-------------------------------|
| TITLE | Stainless Steel Receptacle 8D series | | |
| SCALE | | General linear Tolerances: ±-- | NPRDS / PROJECT 859 |

| | | | | | | | | |
|---------------|--------------------------|---|---|----|---|----|---|------------------------------------|
| BASIC SERIES: | 8D | 7 | - | 17 | S | 20 | B | A |
| SHELL TYPE | : Jam nut Receptacle | | | | | | | |
| CONTACT TYPE | : Standard Crimp Contact | | | | | | | |
| SHELL SIZE | : 17 | | | | | | | |
| PLATING | : S = Nickel | | | | | | | |
| | | | | | | | | ORIENTATION : A |
| | | | | | | | | CONTACT TYPE : SOCKET(500 Matings) |
| | | | | | | | | CONTACT LAYOUT : 17-20 |

| | | | |
|---------------------|------------------------------------|---|--------------|
| SOURIAU | WWW.SOURIAU.COM | This document is the property of SOURIAU it must not be reproduced or communicated without permission | |
| FORMAT A3 | SOURIAU DRG N° 8D717S20BA-C | | SHEET 1/2 |

Contact Layout

20*

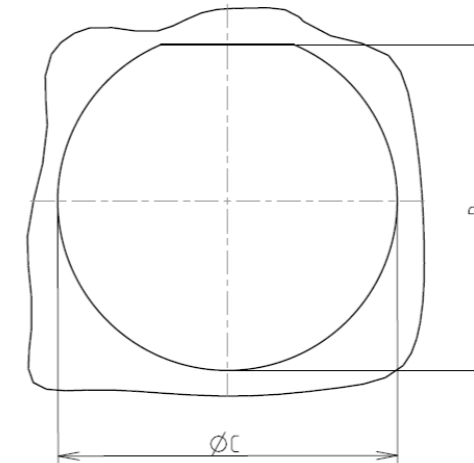


4#12
16#22D

| 17-20 | | |
|-------|-------|-------|
| Ctc | X | Y |
| A | 0 | 5.51 |
| B | 3.17 | 0 |
| C | 0 | -5.51 |
| D | -3.17 | 0 |
| 1 | 4.16 | 7.06 |
| 2 | 4.29 | 4.29 |
| 3 | 7.11 | 4.03 |
| 4 | 8.05 | 1.4 |
| 5 | 8.05 | -1.4 |
| 6 | 7.11 | -4.03 |
| 7 | 4.29 | -4.29 |
| 8 | 4.16 | -7.06 |
| 9 | -4.16 | -7.06 |
| 10 | -4.29 | -4.29 |
| 11 | -7.11 | -4.03 |
| 12 | -8.05 | -1.4 |
| 13 | -8.05 | 1.4 |
| 14 | -7.11 | 4.03 |
| 15 | -4.29 | 4.29 |
| 16 | -4.16 | 7.06 |

Panel cutout

JAM NUT RECEPTACLE (TYPE 7)



| Dim | Nominal |
|-----|---------------|
| B | 30.73+0/-0.25 |
| ØC | 32.01+0.25/-0 |

SOURIAU shall not be liable for any non-conformity or damage due to a use of the Products which does not comply with the Specifications issued by either of the Parties or by a third party (professional recommendation, technical notice.)

| Country | Jurisdiction & Control List |
|---------|-----------------------------|
| FR | Not Listed |

PN: 8D717S20BA

| | | | |
|---------------------|---|--------------------------------|---|
| A | 30-09-2016 | First Release | |
| ISS | DATE | Latest modification - by | MOD N° |
| Designed By: | | Date: | CUSTOMER DRAWING |
| TITLE | Stainless Steel Receptacle 8D series | | |
| SCALE | | General linear Tolerances: ±-- | NPRDS / PROJECT 859 |
| SOURIAU | WWW.SOURIAU.COM | | This document is the property of SOURIAU it must not be reproduced or communicated without permission |
| FORMAT A3 | SOURIAU DRG N° 8D717S20BA-C | | SHEET 2/2 |