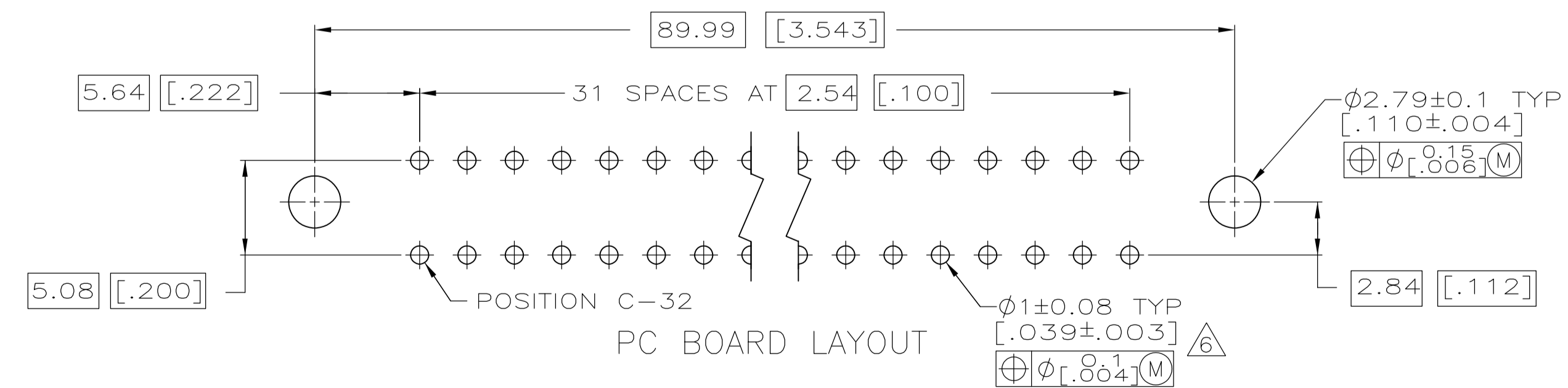
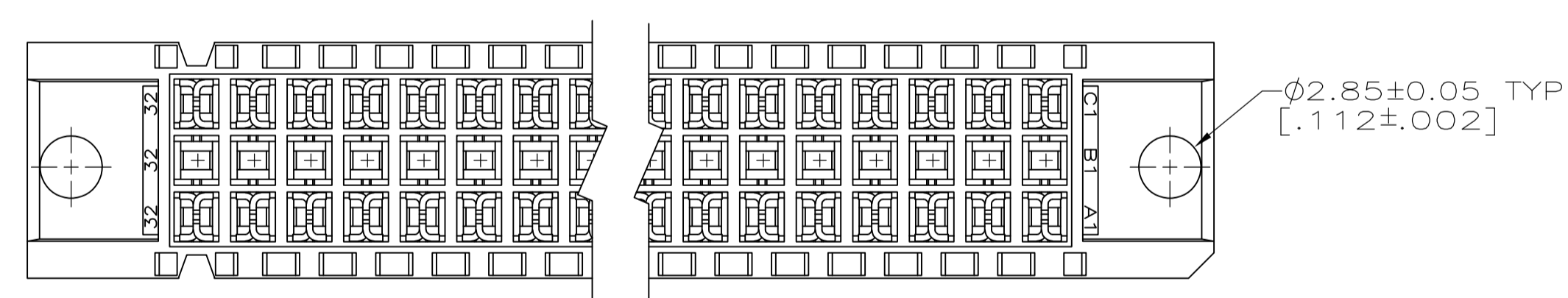
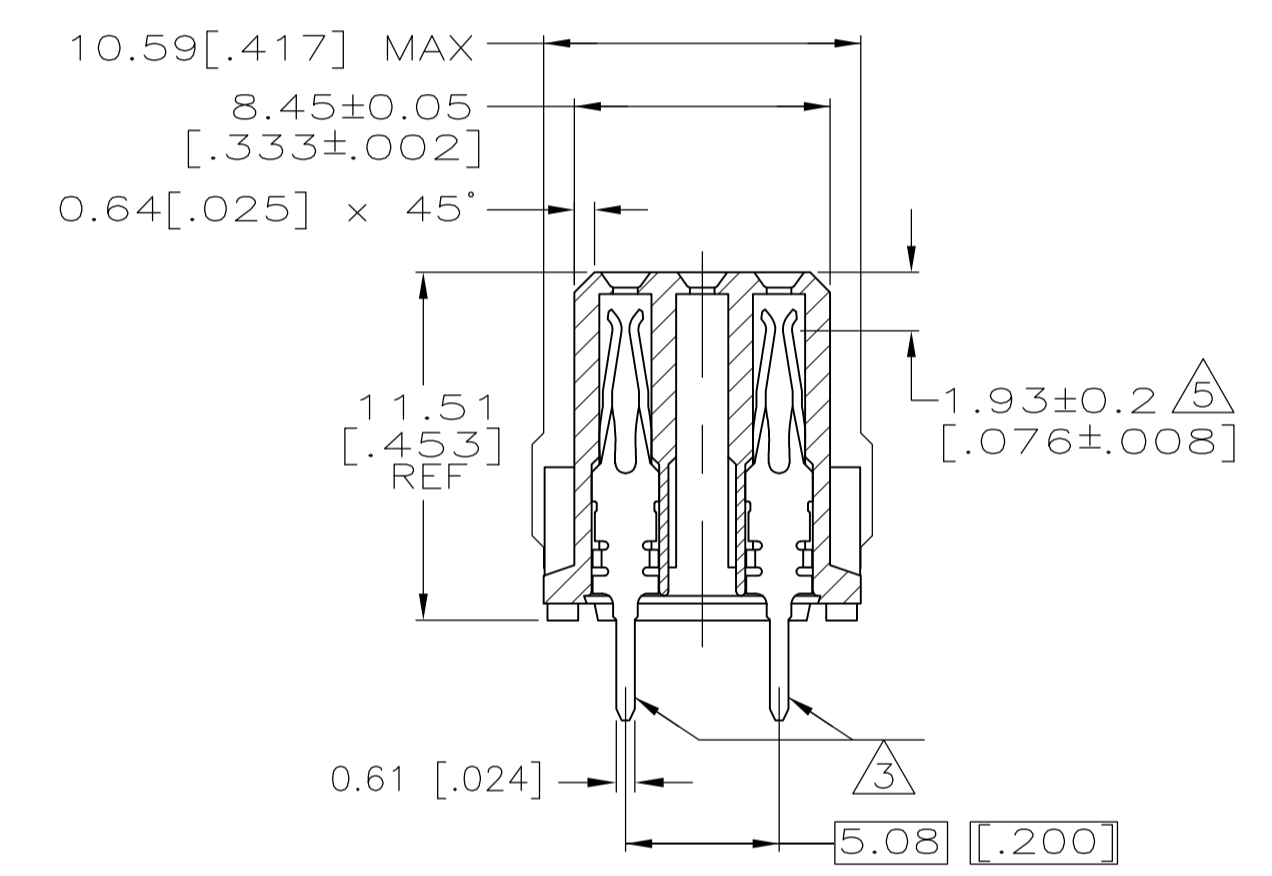
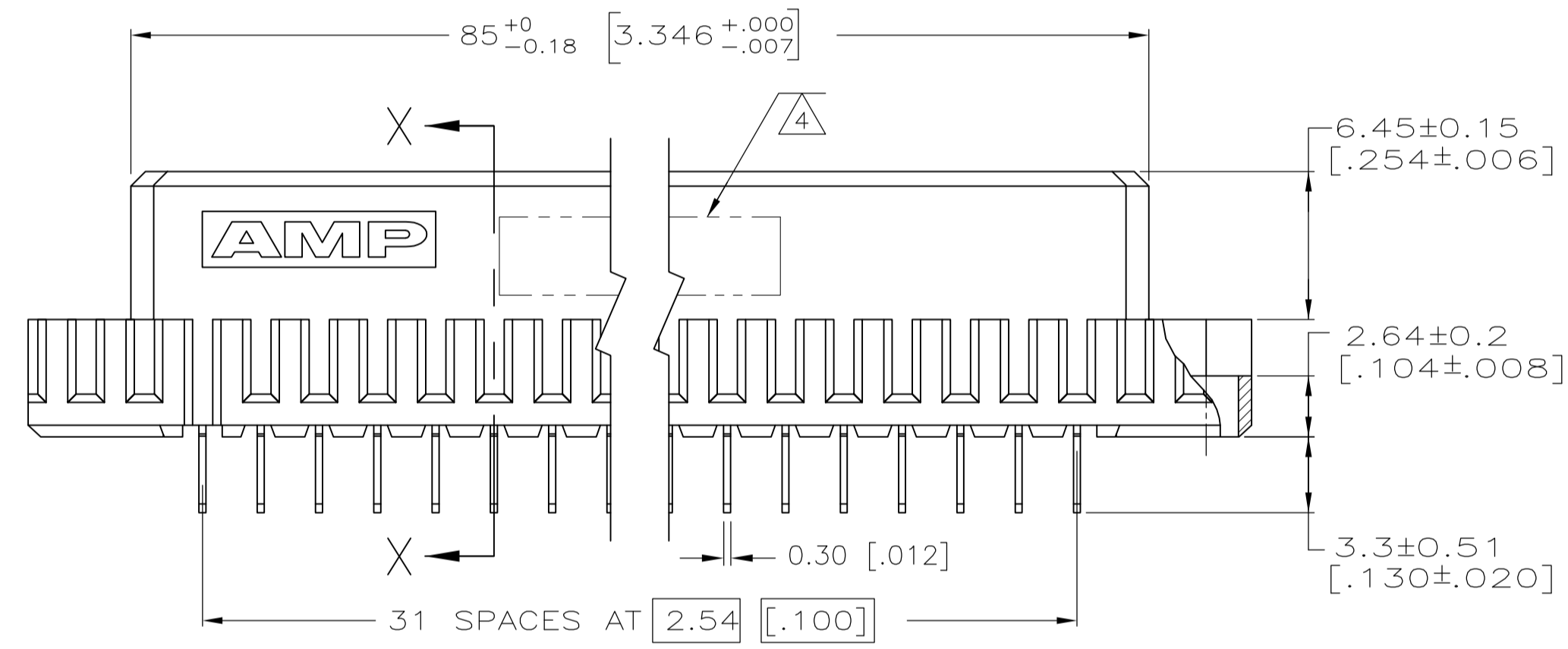
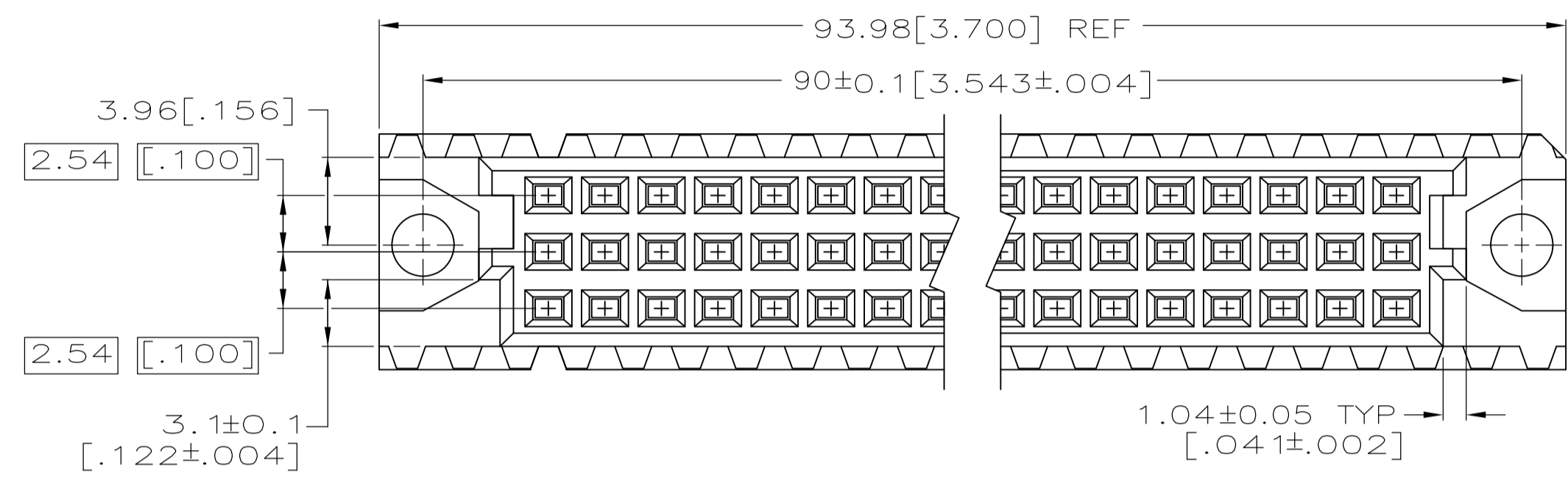


- ① HOUSING MATERIAL: GLASS-FILLED POLYMER.
- ② CONTACT MATERIAL: COPPER ALLOY.
- ③ CONTACT FINISH: DIN 41612 CLASS 2 IN CONTACT AREA. TIN PLATE ON POSTS.
- ④ PART NUMBER, DATE CODE IDENTIFICATION, CSA LOGO IN THIS APPROXIMATE AREA, ON REVERSE SIDE.
- ⑤ CONTACT POINT.
- ⑥ RECOMMENDED HOLE SIZE FOR MANUAL APPLICATION OF CONNECTOR ONTO PC BOARD.
- ⑦ CONTACT FINISH: 0.000076 [.000003] MIN GOLD IN CONTACT AREA. 0.00127 [.000050] NICKEL UNDERPLATE ALL OVER. TIN ON POSTS. CONTACT AREA LUBRICATED WITH BELLCORE APPROVED LUBRICANT, TECHNICAL REFERENCE GR-1217-CORE, ISSUE 1, NOVEMBER 1995.
- ⑧ HOUSING MATERIAL: HIGH TEMP GLASS-FILLED POLYMER.



①/②	③	1-32	C	32	5650956-5
		NONE	B	0	
⑧/②	③	1-32	A	32	5650956-8
		NONE	B	0	
①/②	⑦	1-32	C	32	5650956-3
		NONE	B	0	
		1-32	A	32	
MATERIAL	FINISH	POSITIONS LOADED	ROWS	NO. OF LOADED POSITIONS	PART NUMBER

THIS DRAWING IS A CONTROLLED DOCUMENT.

DIMENSIONS: mm [INCHES]	TOLERANCES UNLESS OTHERWISE SPECIFIED:	DIN J. POLIGNONE 03JUN05	STE TE Connectivity
0 PLC ± -	1 PLC ± -	APVD A. SHARPE 03JUN05	NAME ASSEMBLY, RECEPTACLE, EUROCARD, TYPE C, LEAD-FREE, A and C, 64/96 POSITION, 3.30 [.130] SOLDER POSTS
2 PLC ± -	3 PLC ± 0.1 [.005]	PRODUCT SPEC	SIZE A1 00779 C=5650956
4 PLC ± -	ANGLES ± -	APPLICATION SPEC	RESTRICTED TO
MATERIAL SEE TABLE	FINISH SEE TABLE	WEIGHT	SCALE 4:1 SHEET 1 OF 1 REV B
CUSTOMER DRAWING		SCALE 4:1 SHEET 1 OF 1 REV B	