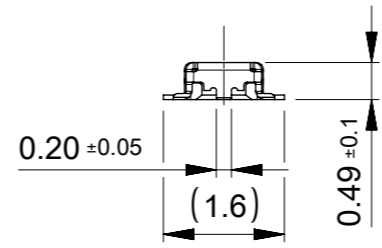
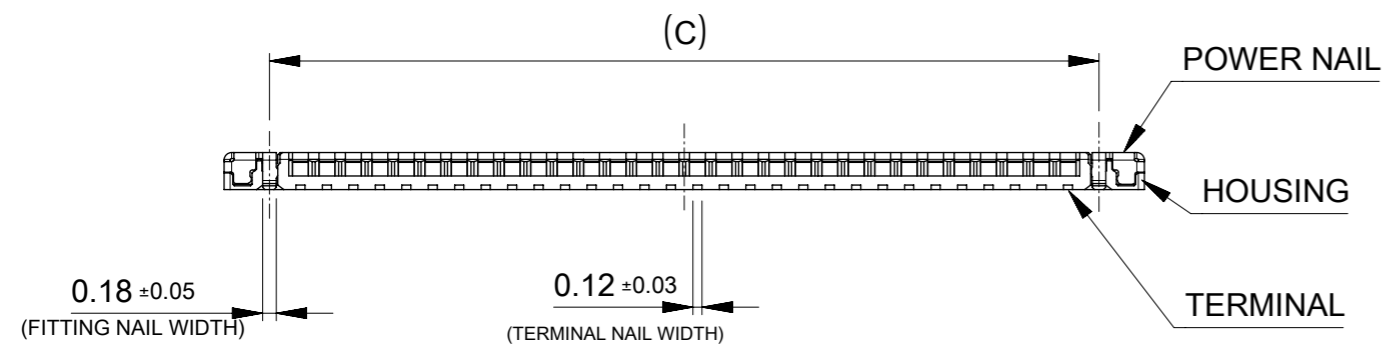
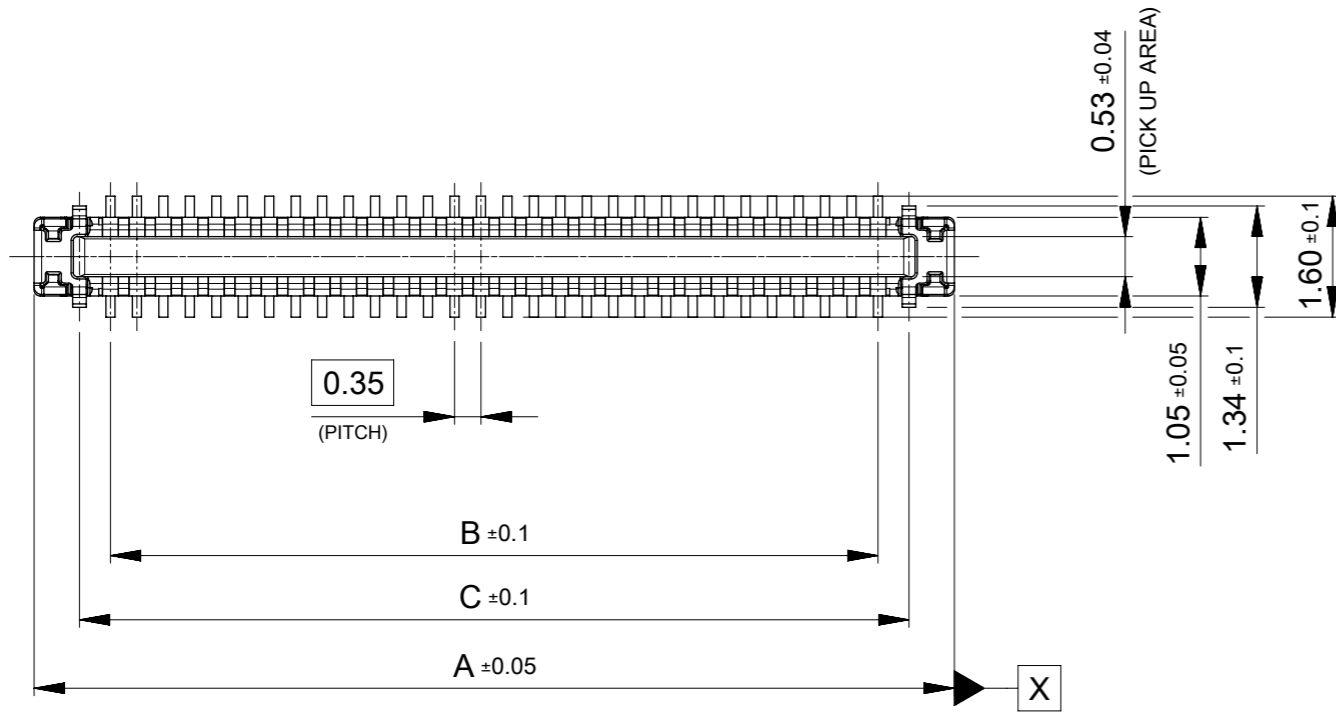


GENERAL DRAWING

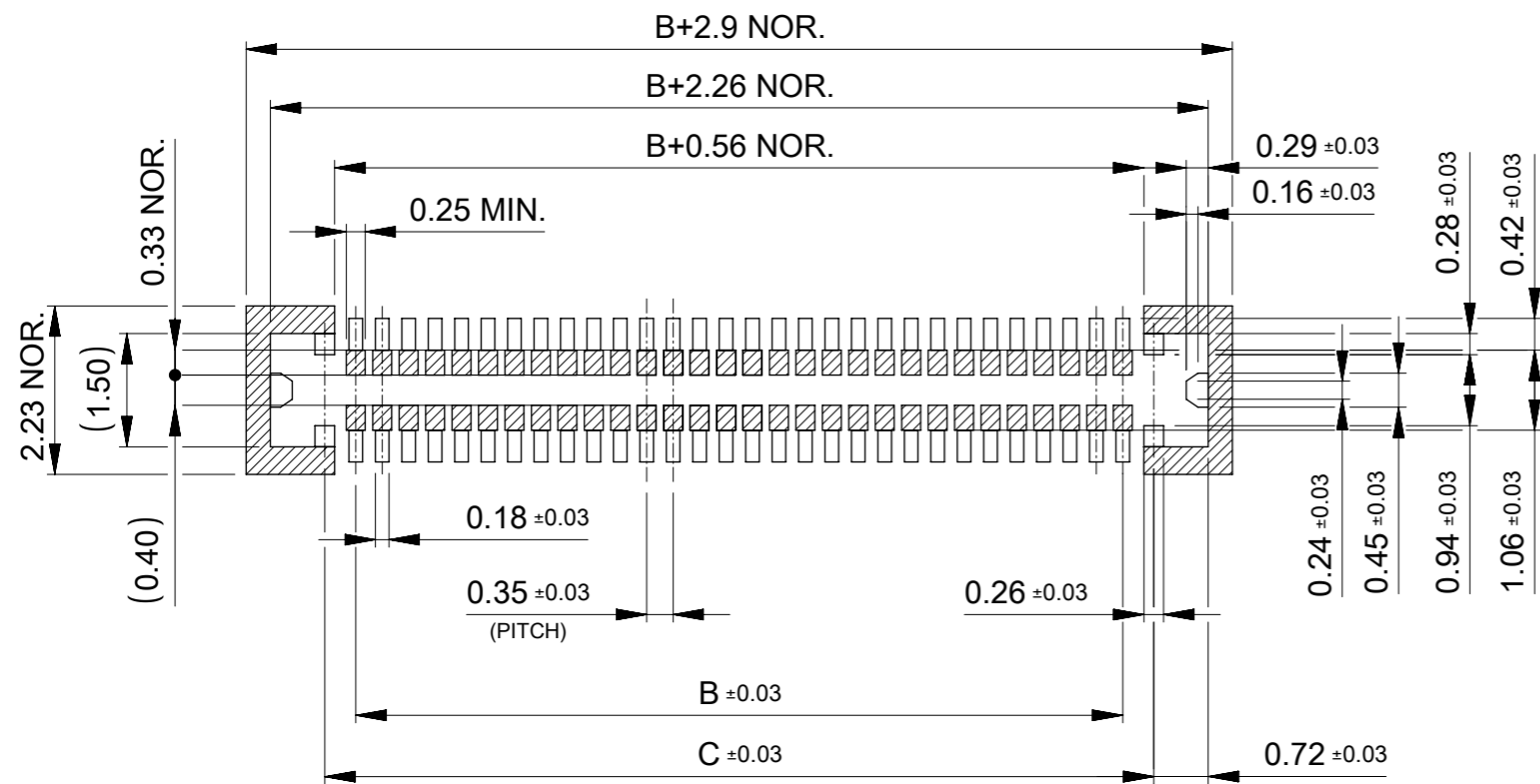


NOTES

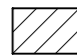
- MATERIAL
HOUSING : LIQUID CRYSTAL POLIMER UL94V-0 (COLOR : BLACK)
TERMINAL : COPPER ALLOY
FITTING NAIL : COPPER ALLOY
- PLATING
TERMINAL :
CONTACT AREA : GOLD PLATING(0.1µm MINIMUM)
SOLDER TAIL AREA : GOLD PLATING(0.05µm MINIMUM)
UNDER PLATING : NICKEL OVERALL(1.0µm MINIMUM)
* DIVIED INTO PARTS THE GOLD PLATING OF THE CONTACT AND THE TAIL PART BY THE NICKEL PLATING.
FITTING NAIL :
CONTACT AREA :GOLD PLATING(0.1µm MINIMUM)
SOLDER TAIL AREA : GOLD PLATING(0.05µm MINIMUM)
UNDER PLATING : NICKEL OVERALL(1.0µm MINIMUM)
* DIVIED INTO PARTS THE GOLD PLATING OF THE CONTACT AND THE TAIL PART BY THE NICKEL PLATING.
- MATE WITH : 216700****
- COPLANARITY : SHALL BE 0.08MAX. ON BOTH OF TERMINAL AND NAIL.
AND 0.1 MAXIMUM AFTER REFLOW
- PROHIBITED AREA OF PATTERN WIRING AND SOLDER.
(FOR EACH AREA, THE WIRING THAT TOUCHES ON THE SOLDER CAN BE ATTACHED, THEN COVERED WITH A FILM TO KEEP SOLDER OUT)

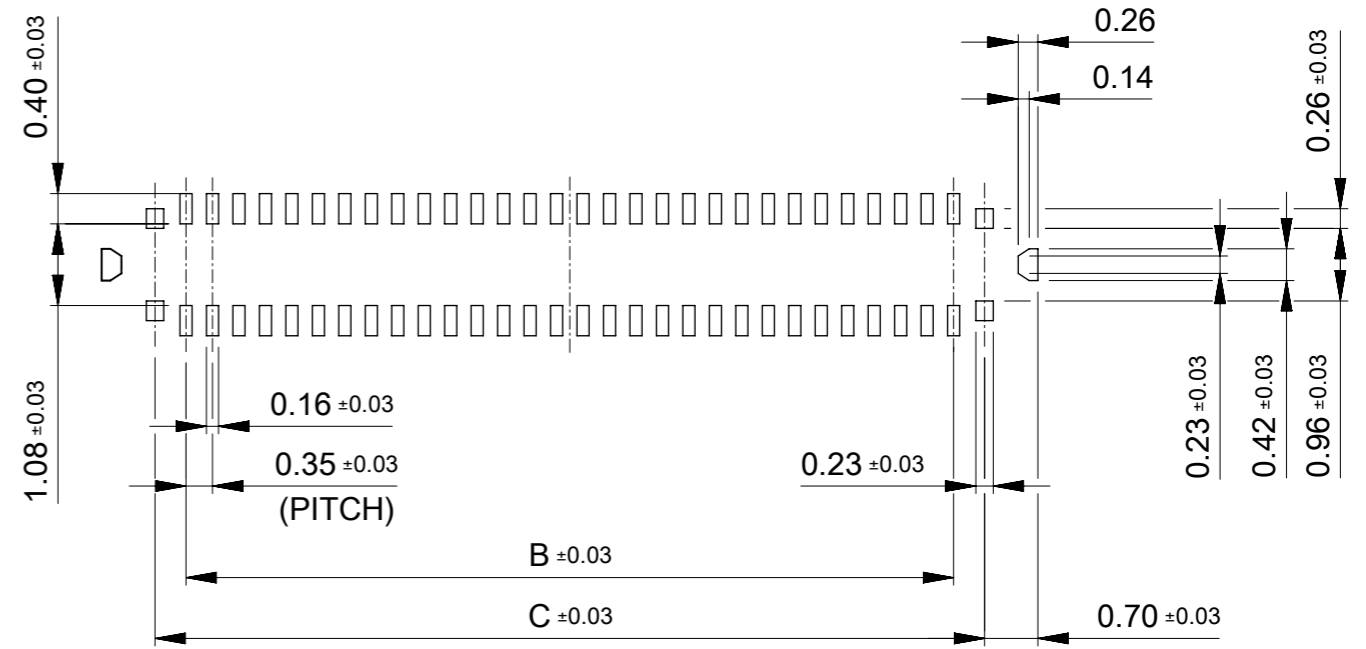
10.97	10.15	12.17	2167010609	---	O	60
9.92	9.10	11.12	2167010549	O	---	54
9.22	8.40	10.42	2167010509	O	---	50
7.47	6.65	8.67	2167010409	O	---	40
5.72	4.90	6.92	2167010309	---	O	30
4.67	3.85	5.87	2167010249	---	O	24
3.97	3.15	5.17	2167010209	O	---	20
2.22	1.40	3.42	2167010109	---	O	10
C	B	A	EMBOSSSED TAPE PACKAGE	HIGH VOL. TOOL	LOW VOL. TOOL	Ckts
ORDER No.			SAMPLE PREPARATION			
			O : TOOLED			
			□ : WORK PROCESS			
			--- : TOOLING TO BE CONFIRMED			
CONNECTOR SERIES No. : 2167010***						

FUNCTIONAL SYMBOLS	THIS DRAWING CONTAINS INFORMATION THAT IS PROPRIETARY TO MOLEX ELECTRONIC TECHNOLOGIES, LLC AND SHOULD NOT BE USED WITHOUT WRITTEN PERMISSION		CURRENT REV DESC:		molex		
	△/A = 0	mm	SCALE 10:1				
△/E = 0	GENERAL TOLERANCES (UNLESS SPECIFIED)				0.35 BB CONN H=0.6 ACB6 PLUS PLUG ASSY		
△/V = 0	ANGULAR TOL ± 1.0°						
DIVISIONAL SYMBOLS	4 PLACES	± 0.05	EC NO: 746141	2023/04/14	PRODUCT CUSTOMER DRAWING		
	3 PLACES	± 0.05	DRWN: DWLEE02	2023/04/14			
	2 PLACES	± 0.05	CHK'D: JHCHANG	2023/04/17			
	1 PLACE	± 0.1	APPR: JBJIN				
	0 PLACES	± 0.2	INITIAL REVISION:				
DRAFT WHERE APPLICABLE MUST REMAIN WITHIN DIMENSIONS		THIRD ANGLE PROJECTION	DRAWING	SERIES	MATERIAL NUMBER	CUSTOMER	SHEET NUMBER
			A3-SIZE	216701	2167010000-SD	GENERAL	1 OF 2



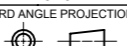
RECOMMENDED P.C.BOARD PATTERN LAYOUT
(FOR REFERENCE)

 SOLDER PROHIBITED AREA.
WHEN WIREING IS LOCATED,
THE WIRING MUST BE MASKED BY COVER LAY OR RESIST FILM.

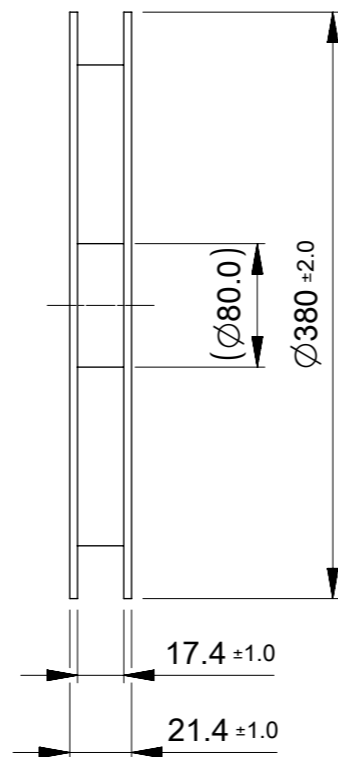
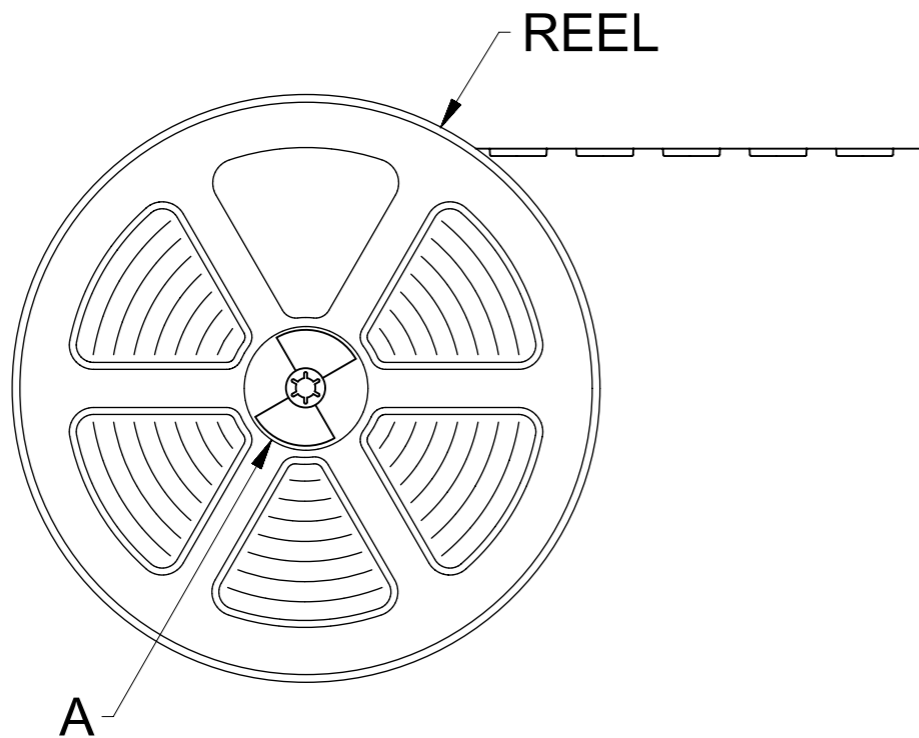


RECOMMENDED METAL MASK LAYOUT
(FOR REFERENCE)

RECOMMENDED THICKNESS : 0.08mm
RECOMMENDED APERTURE DIMENSION IS JUST SAME AS SHOWN FIGURE ABOVE.
FOR THIS DIMENSION, APERTURE RATIO ARE SIGNAL TERMINAL AND
FITTING NAIL ALL 80%.

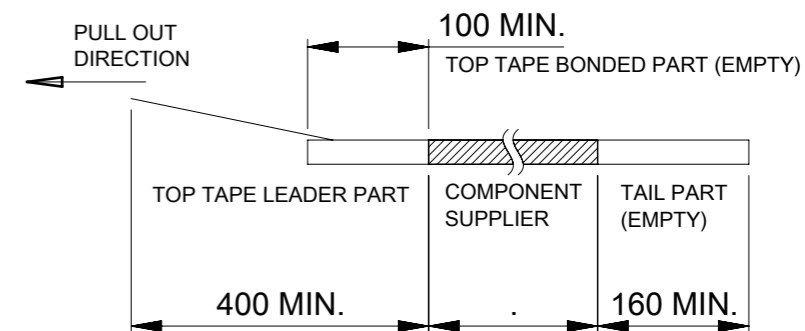
FUNCTIONAL SYMBOLS	THIS DRAWING CONTAINS INFORMATION THAT IS PROPRIETARY TO MOLEX ELECTRONIC TECHNOLOGIES, LLC AND SHOULD NOT BE USED WITHOUT WRITTEN PERMISSION		CURRENT REV DESC:		molex					
	▽A = 0	mm						10:1		
▽E = 0	GENERAL TOLERANCES (UNLESS SPECIFIED)		EC NO: 746141 DRWN: DWLEE02 2023/04/14 CHK'D: JHCHANG 2023/04/14 APPR: JBJIN 2023/04/17		0.35 BB CONN H=0.6 ACB6 PLUS PLUG ASSY					
▽F = 0	ANGULAR TOL ± 1.0 °				PRODUCT CUSTOMER DRAWING					
DIVISIONAL SYMBOLS	4 PLACES	± 0.05			INITIAL REVISION:		DOCUMENT NUMBER	DOC TYPE	DOC PART	REVISION
	3 PLACES	± 0.05			DRWN: JHCHANG 2023/04/13		2167010000-SD	PSD	001	A
	2 PLACES	± 0.05			APPR: JBJIN 2023/04/17		SEE CHART	GENERAL		
1 PLACE	± 0.1	DRAFT WHERE APPLICABLE MUST REMAIN WITHIN DIMENSIONS		THIRD ANGLE PROJECTION	DRAWING	SERIES	MATERIAL NUMBER	CUSTOMER	SHEET NUMBER	
0 PLACES	± 0.2				A3-SIZE	216701	SEE CHART	GENERAL	2 OF 2	

⇒ PULL OUT DIRECTION

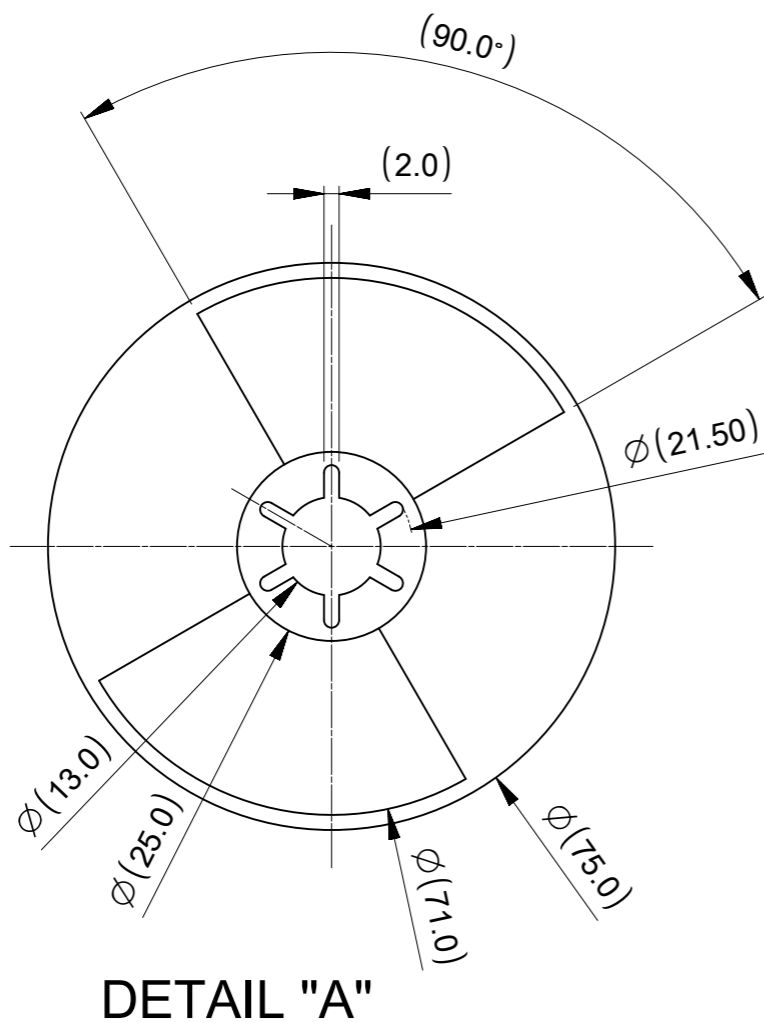


NOTES

1. RE DETAILED DIMENSION, SEE PRODUCT DRAWING.
2. NUMBER OF CONNECTORS : 20,000PCS/REEL
3. LEAD TAPE LENGTH :



4. PEEL OFF FORCE OF THE TOP TAPE IS DEFINDED BY IEC 60286-3.
5. MATERIAL
 - CARRIER TAPE : POLYSTYRENE OR PET
 - TOP TAPE : PET, OTHER
 - REEL : POLYSTYRENE(PS) [RECYCLE MATERIAL CONTAINED]



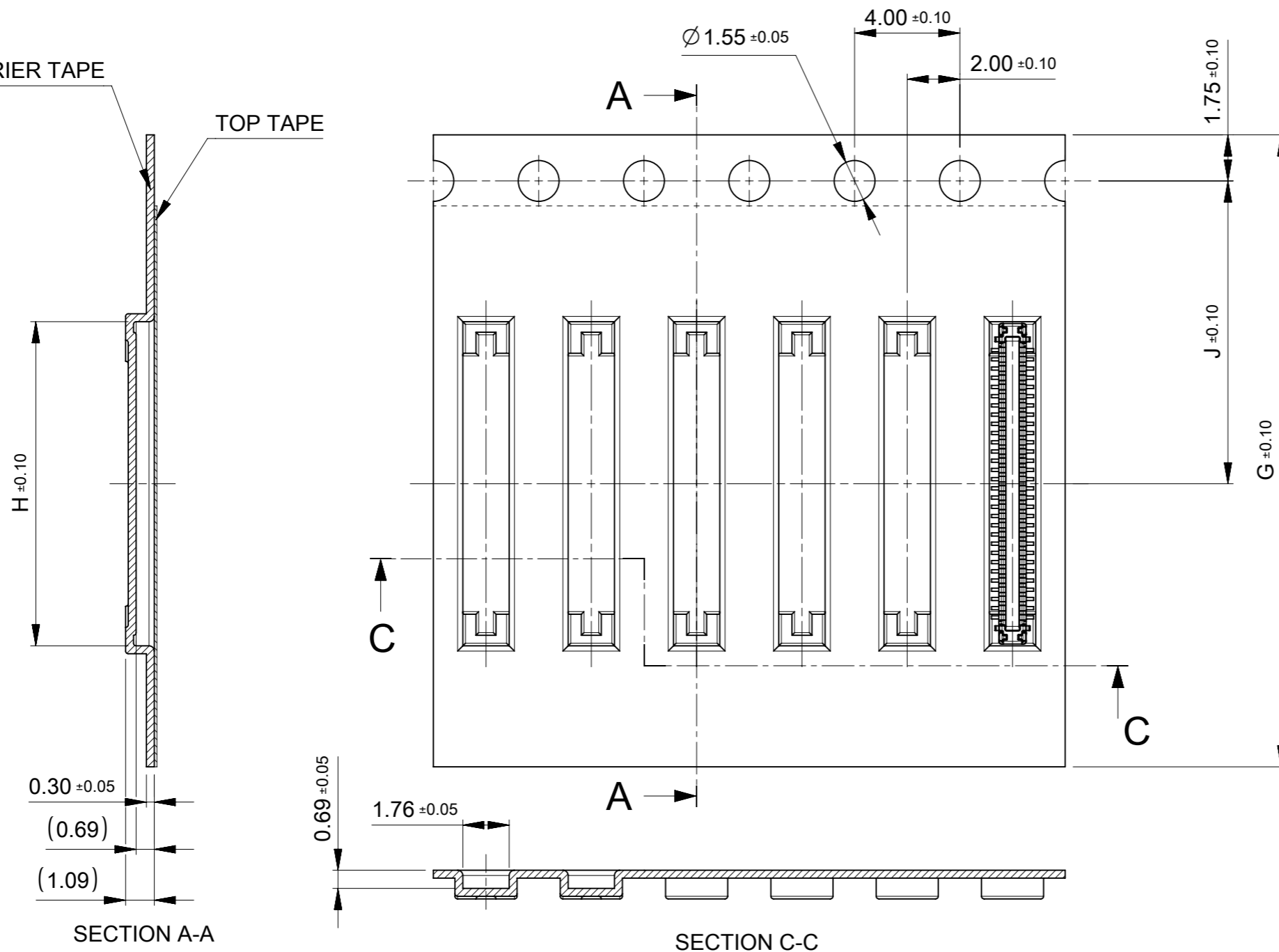
DETAIL "A"

FUNCTIONAL SYMBOLS	THIS DRAWING CONTAINS INFORMATION THAT IS PROPRIETARY TO MOLEX ELECTRONIC TECHNOLOGIES, LLC AND SHOULD NOT BE USED WITHOUT WRITTEN PERMISSION		CURRENT REV DESC:		molex				
	DRWN: DWLEE02	2023/04/14	0.35 BB CONN H=0.6 ACB6 PLUS PLUG PKG						
DRWN: JHCHANG	2023/04/14	PRODUCT CUSTOMER DRAWING		DOCUMENT NUMBER	DOC TYPE	DOC PART	REVISION		
APPR: JBJIN	2023/04/17	INITIAL REVISION:						2167010001-SD	PSD
DIVISIONAL SYMBOLS	DRWN: JHCHANG	2023/04/13	APPR: JBJIN	2023/04/17	MATERIAL NUMBER	CUSTOMER	SHEET NUMBER		
4 PLACES	± 0.05	THIRD ANGLE PROJECTION		DRAWING	SERIES	216701	SEE SHEET2	GENERAL	1 OF 2
3 PLACES	± 0.05	DRAFT WHERE APPLICABLE MUST REMAIN WITHIN DIMENSIONS		A3-SIZE					
2 PLACES	± 0.05								
1 PLACE	± 0.1								
0 PLACES	± 0.2								

PULL OUT DIRECTION →

EMBOSS CARRIER TAPE

TOP TAPE



SECTION A-A

SECTION C-C

12.31	11.50	24.00	2167010609	---	O	60
11.26			2167010549	O	---	54
10.56			2167010509	O	---	50
8.81	9.25	16.00	2167010409	O	---	40
7.06			2167010309	---	O	30
6.01			2167010249	---	O	24
5.34			2167010209	O	---	20
3.56			2167010109	---	O	10
H	J	G	EMBOSSED TAPE PACKAGE	HIGH VOL. TOOL	LOW VOL. TOOL	Ckts
ORDER No.			SAMPLE PREPARATION			
			O : TOOLED □ : WORK PROCESS --- : TOOLING TO BE CONFIRMED			
CONNECTOR SERIES No. : 216701****						

FUNCTIONAL SYMBOLS	THIS DRAWING CONTAINS INFORMATION THAT IS PROPRIETARY TO MOLEX ELECTRONIC TECHNOLOGIES, LLC AND SHOULD NOT BE USED WITHOUT WRITTEN PERMISSION		CURRENT REV DESC:		molex
▽ _A = 0	mm	SCALE 5:1			
▽ _E = 0	GENERAL TOLERANCES (UNLESS SPECIFIED)				0.35 BB CONN H=0.6 ACB6 PLUS PLUG PKG
▽ _F = 0	ANGULAR TOL ± 1.0°				PRODUCT CUSTOMER DRAWING
DIVISIONAL SYMBOLS	4 PLACES ± 0.05	EC NO: 746141			DOCUMENT NUMBER
	3 PLACES ± 0.05	DRWN: DWLEE02	2023/04/14		2167010001-SD
	2 PLACES ± 0.05	CHK'D: JHCHANG	2023/04/14		PSD 001 A
	1 PLACE ± 0.1	APPR: JBJIN	2023/04/17		REVISION
	0 PLACES ± 0.2	INITIAL REVISION:			
		DRWN: JHCHANG	2023/04/13		
		APPR: JBJIN	2023/04/17		
DRAFT WHERE APPLICABLE MUST REMAIN WITHIN DIMENSIONS	THIRD ANGLE PROJECTION	DRAWING	SERIES	MATERIAL NUMBER	CUSTOMER
		A3-SIZE	216701	SEE SHEET2	GENERAL
					SHEET NUMBER
					2 OF 2