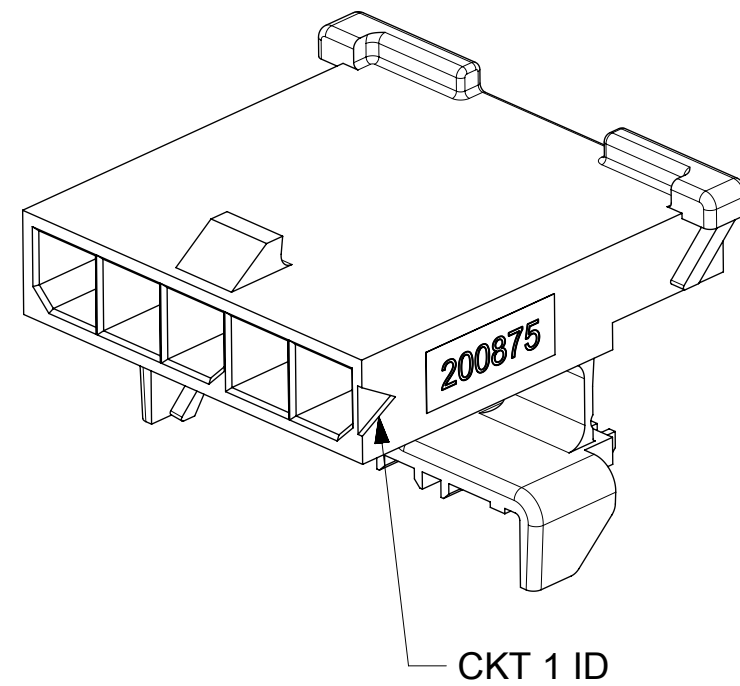
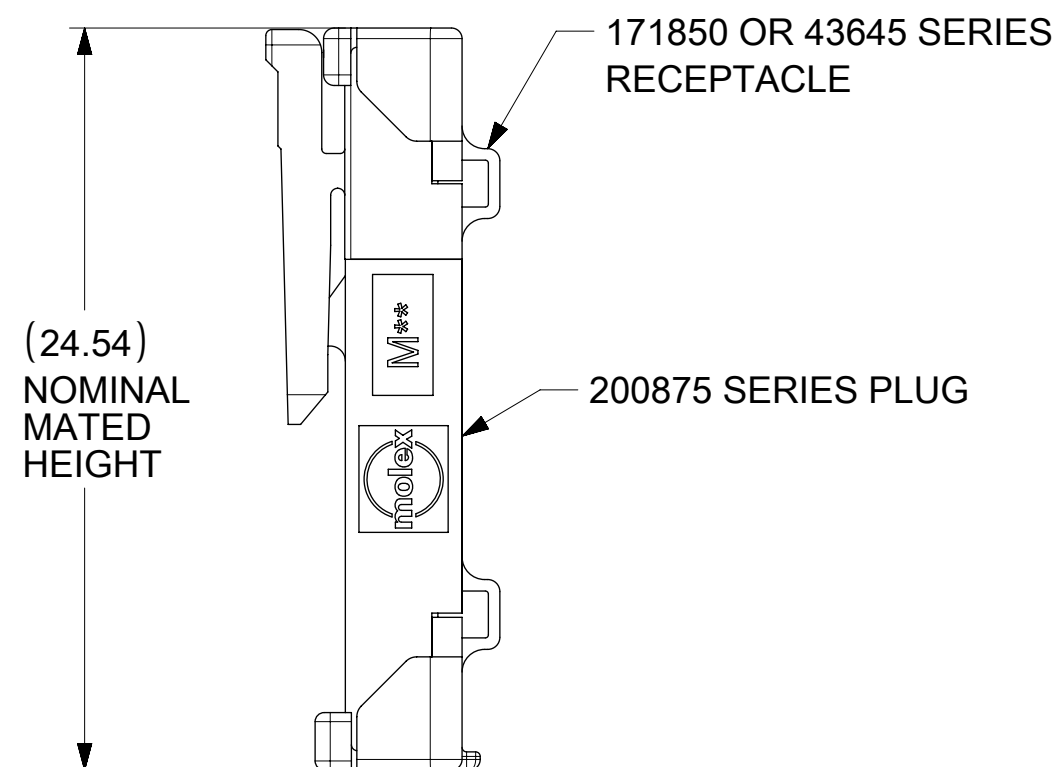
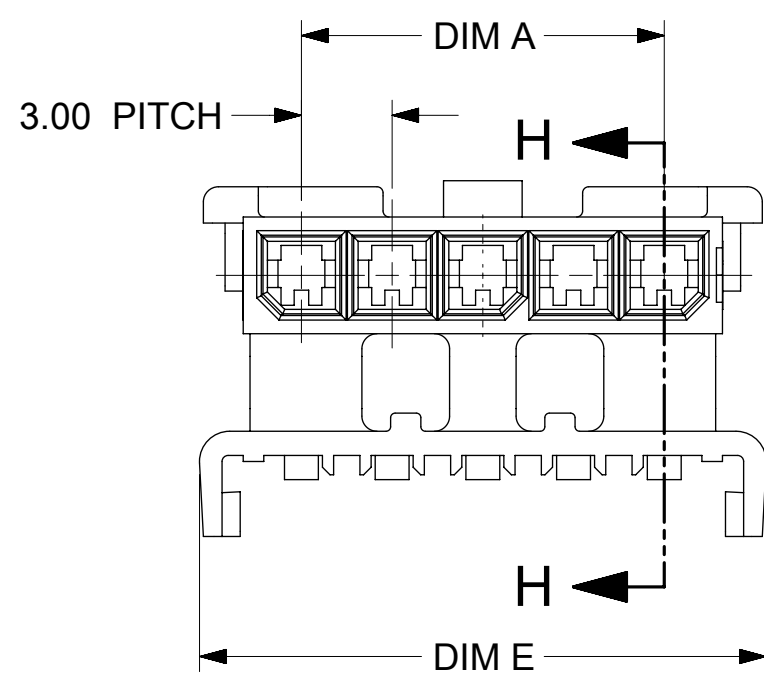
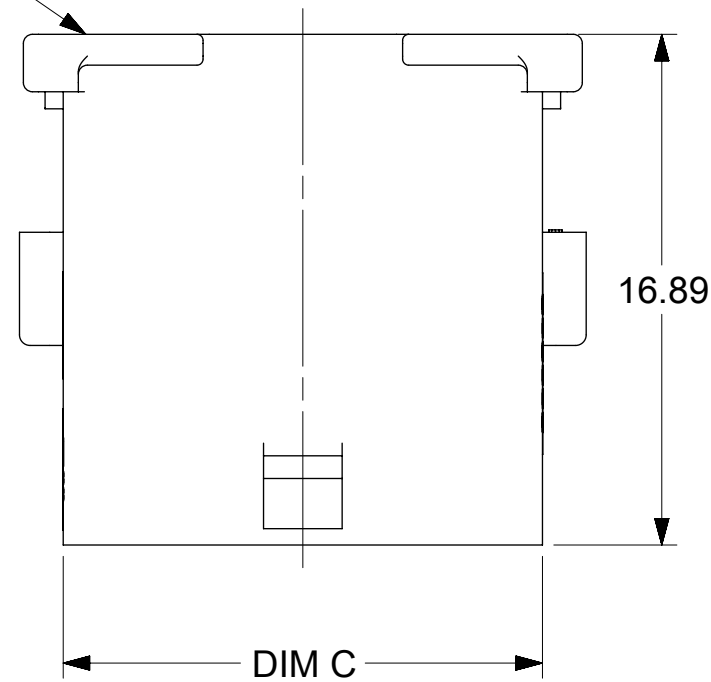
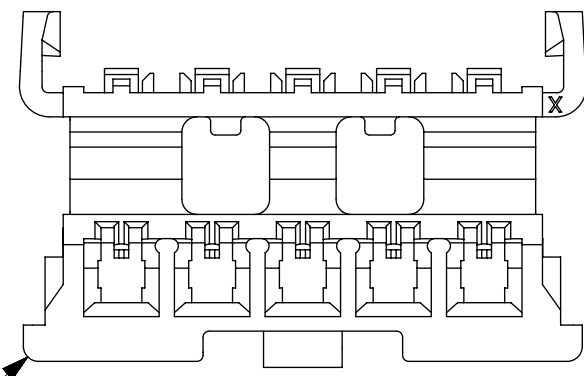


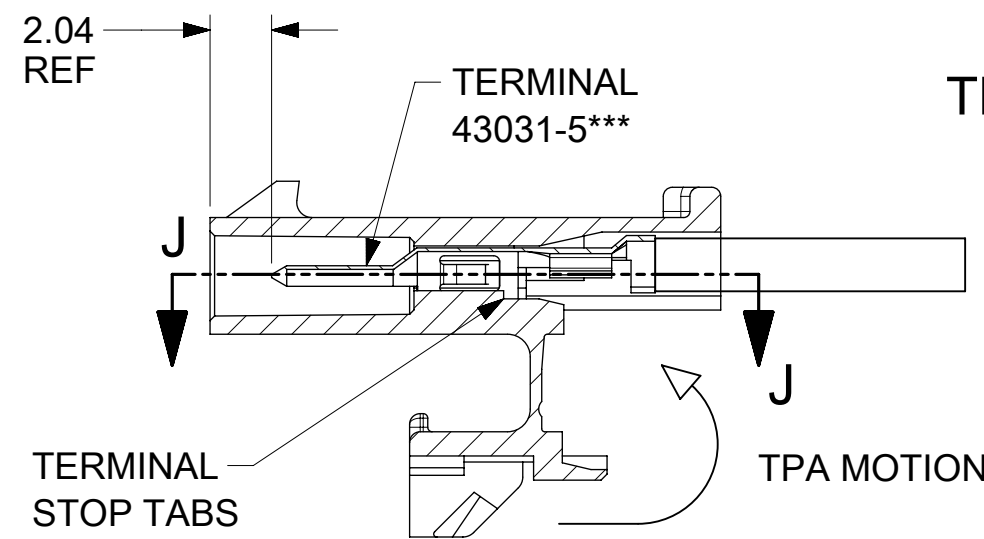
2008750005
SHOWN
AS MOLDED



FREE HANGING OPTION

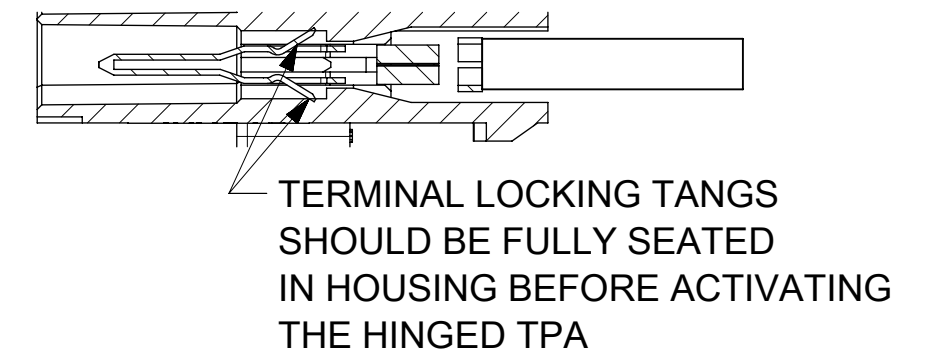
NOTES:

1. MATERIAL: NYLON, V-0 LOW HALOGEN, COLOR: BLACK
2. FINISH: NONE
3. PRODUCT SPECIFICATION: PS-43650
4. PACKAGING SPECIFICATION: 2008750000-PK
5. THIS HOUSING TO BE USED WITH MOLEX MALE TERMINAL NUMBERS 430315***.
6. THIS PART MATES WITH MOLEX SERIES 171850 AND 43645.
7. THIS PART CONFORMS TO CLASS 'B' REQUIREMENTS OF COSMETIC SPECIFICATION PS-45499-002.
8. REFER TO AS-45499-001 FOR MOISTURIZING NYLON CONNECTOR PARTS.
9. PRODUCT MUST BE USED WITH TPA INSTALLED.
10. TPA IS INTENDED FOR ONE TIME USE.
11. INTENDED FOR USE WITH 20-30 AWG WIRES ONLY.
12. SOME HOUSINGS MAY HAVE A SMALL GATE BLEMISH NEAR THE GATE THAT DOES NOT AFFECT FUNCTIONALITY.
13. CIRCUIT SIZES 6 TO 12 HAVE ADDITIONAL TPA LATCHING GEOMETRY NEAR THE CENTER OF THE PART THAT MUST BE FULLY ENGAGED FOR TPA TO BE PROPERLY CLOSED.
14. PLUG DESIGNED FOR 1.57 TO 2.30 THICK STAMPED PANEL OR PRINTED CIRCUIT BOARD.
15. PANEL MOUNT FEATURES MUST LOCK ON SIDE OPPOSITE PUNCH SIDE FOR OPTIMUM RETENTION.
16. TEXT ON PART IS FOR REFERENCE ONLY. TEXT AND TEXT LOCATION MAY VARY DEPENDING ON PART NUMBER AND/OR TOOL.



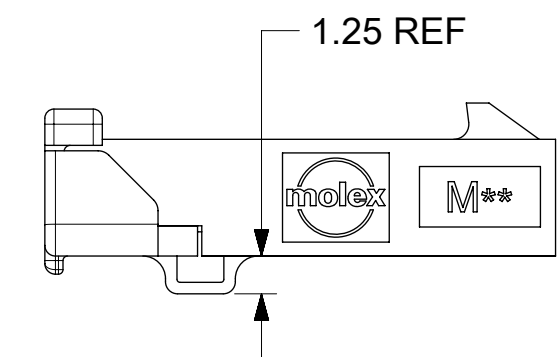
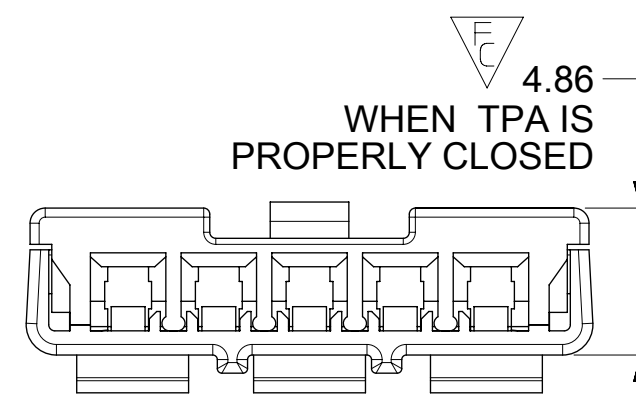
SECTION H-H

TPA OPEN



SECTION J-J
TERMINAL LOCKING TANGS SHOULD BE FULLY SEATED IN HOUSING BEFORE ACTIVATING THE HINGED TPA

TPA CLOSED



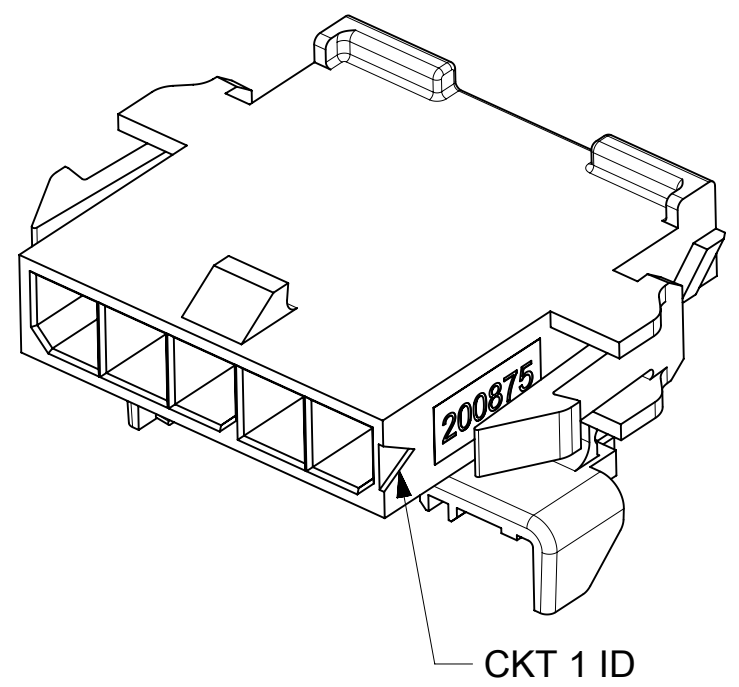
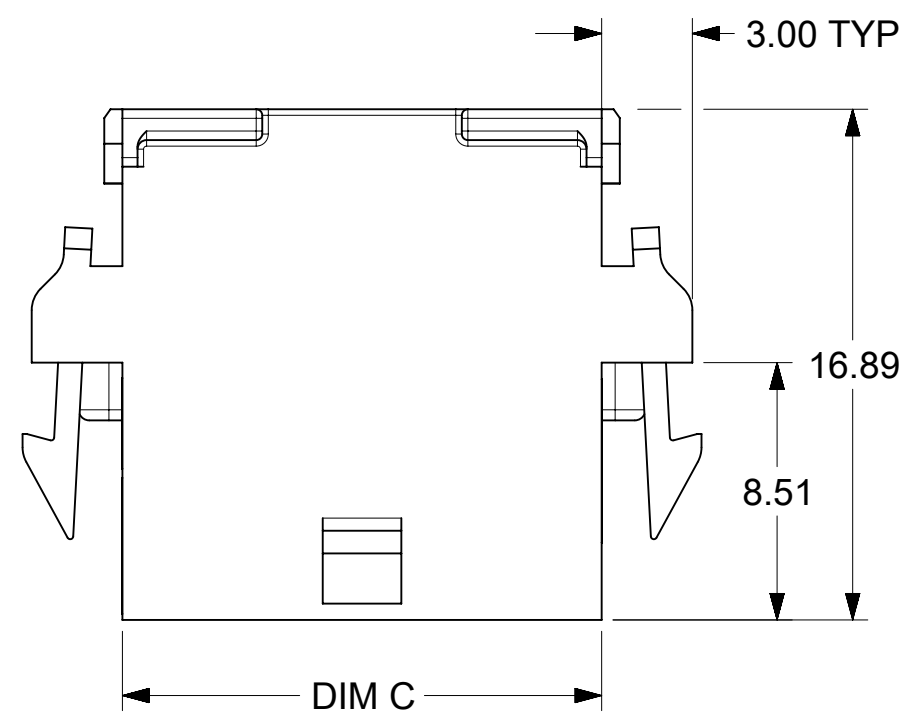
SYMBOLS		THIS DRAWING CONTAINS INFORMATION THAT IS PROPRIETARY TO MOLEX ELECTRONIC TECHNOLOGIES, LLC AND SHOULD NOT BE USED WITHOUT WRITTEN PERMISSION	
DIMENSION UNITS	SCALE	CURRENT REV DESC: ADD PANEL MOUNT	
$\nabla = 0$	mm	4:1	
$\nabla = 1$	GENERAL TOLERANCES (UNLESS SPECIFIED)		
$\nabla = 0$	ANGULAR TOL	\pm	$^{\circ}$
$\nabla = 0$	4 PLACES	\pm	
$\nabla = 0$	3 PLACES	\pm	
$\nabla = 0$	2 PLACES	\pm	0.25
$\nabla = 0$	1 PLACE	\pm	0.35
$\nabla = 0$	0 PLACES	\pm	
$\blacksquare = 0$	DRAFT WHERE APPLICABLE MUST REMAIN WITHIN DIMENSIONS		
$\nabla = 0$	THIRD ANGLE PROJECTION	DRAWING	SERIES
		C-SIZE	200875
		EC NO: 620281	2019/06/28
		DRWN: AFAVAZZA	2019/07/16
		CHK'D: SSOUSEK	2019/08/12
		APPR: FSMITH	
		INITIAL REVISION:	
		DRWN: TGREGORI	2017/01/05
		APPR: RHODGE	2017/01/06
DOCUMENT NUMBER		DOC TYPE	DOC PART
2008750000-SD		PSD	000
MATERIAL NUMBER		CUSTOMER	SHEET NUMBER
SEE TABLE		GENERAL MARKET	1 OF 3

molex

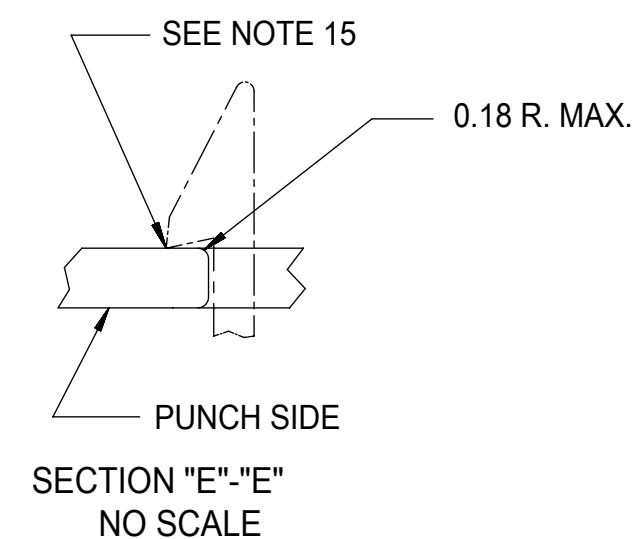
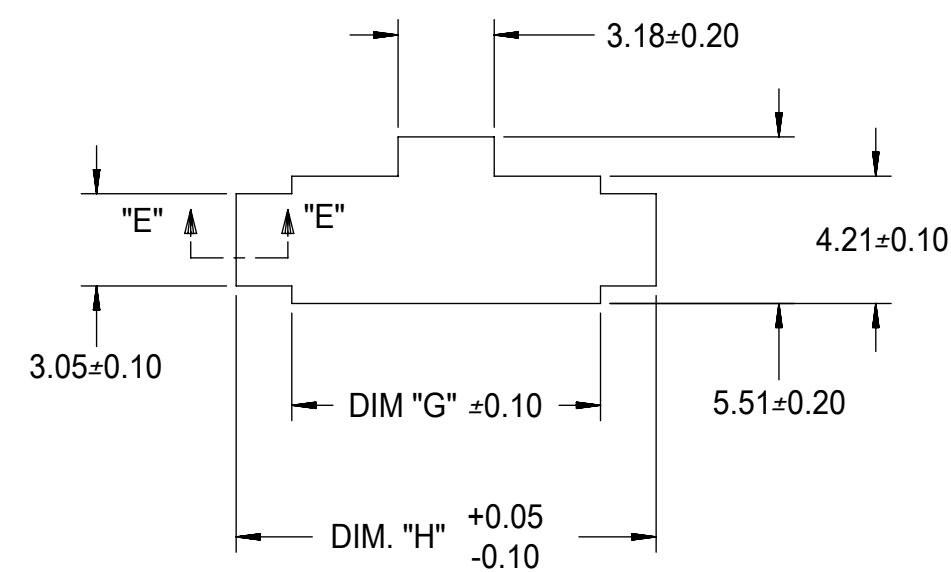
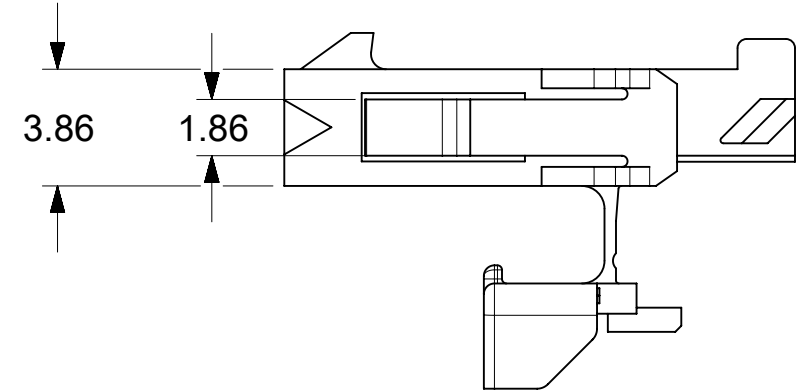
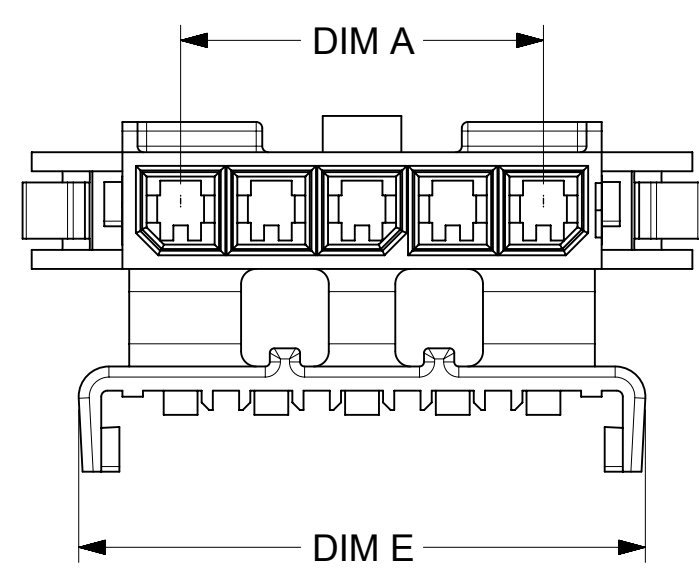
MICRO-FIT TPA SINGLE ROW PLUG HOUSING

PRODUCT CUSTOMER DRAWING

MICRO FIT SINGLE ROW TPA PLUG WITH PANEL MOUNT



PANEL MOUNTED OPTION

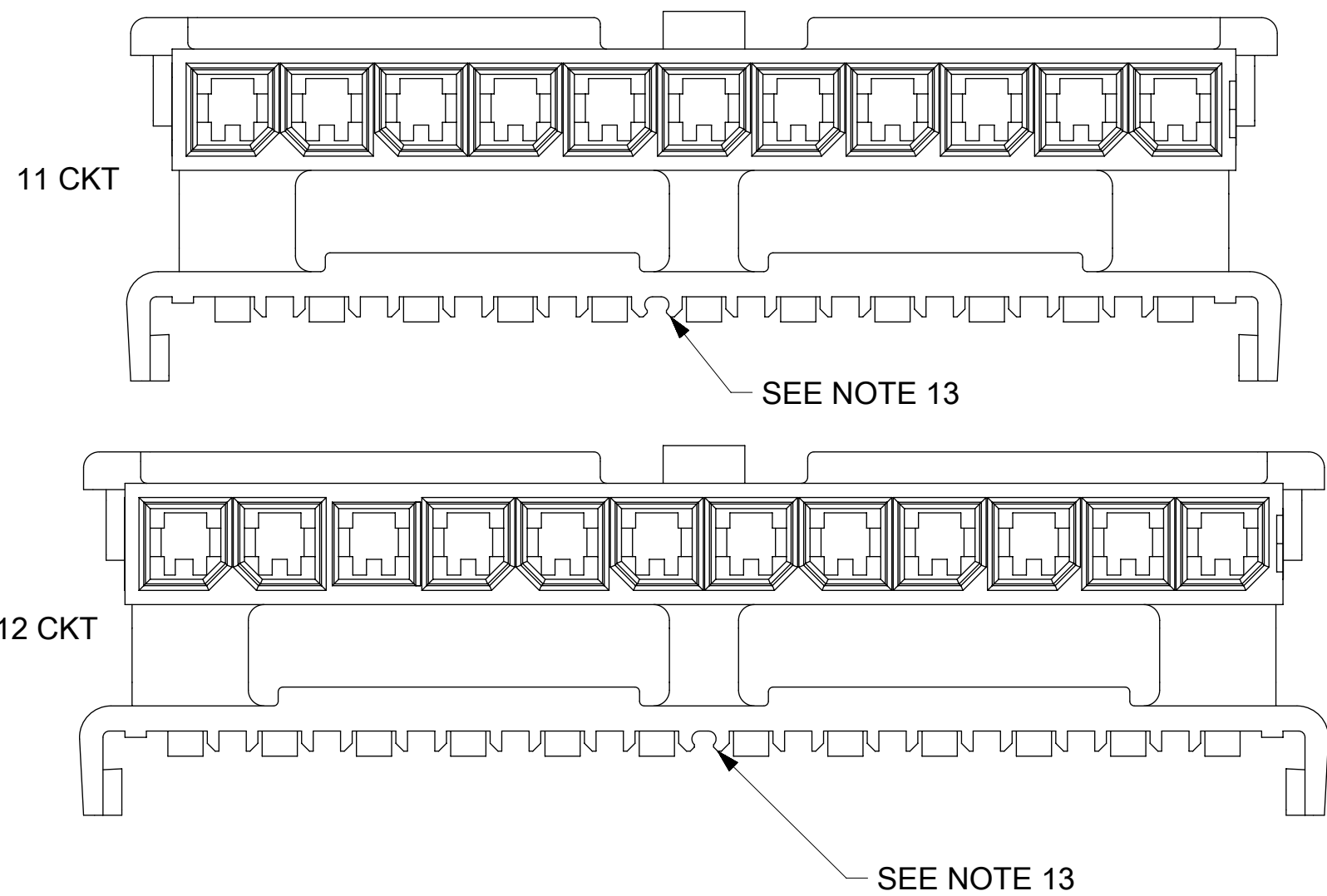
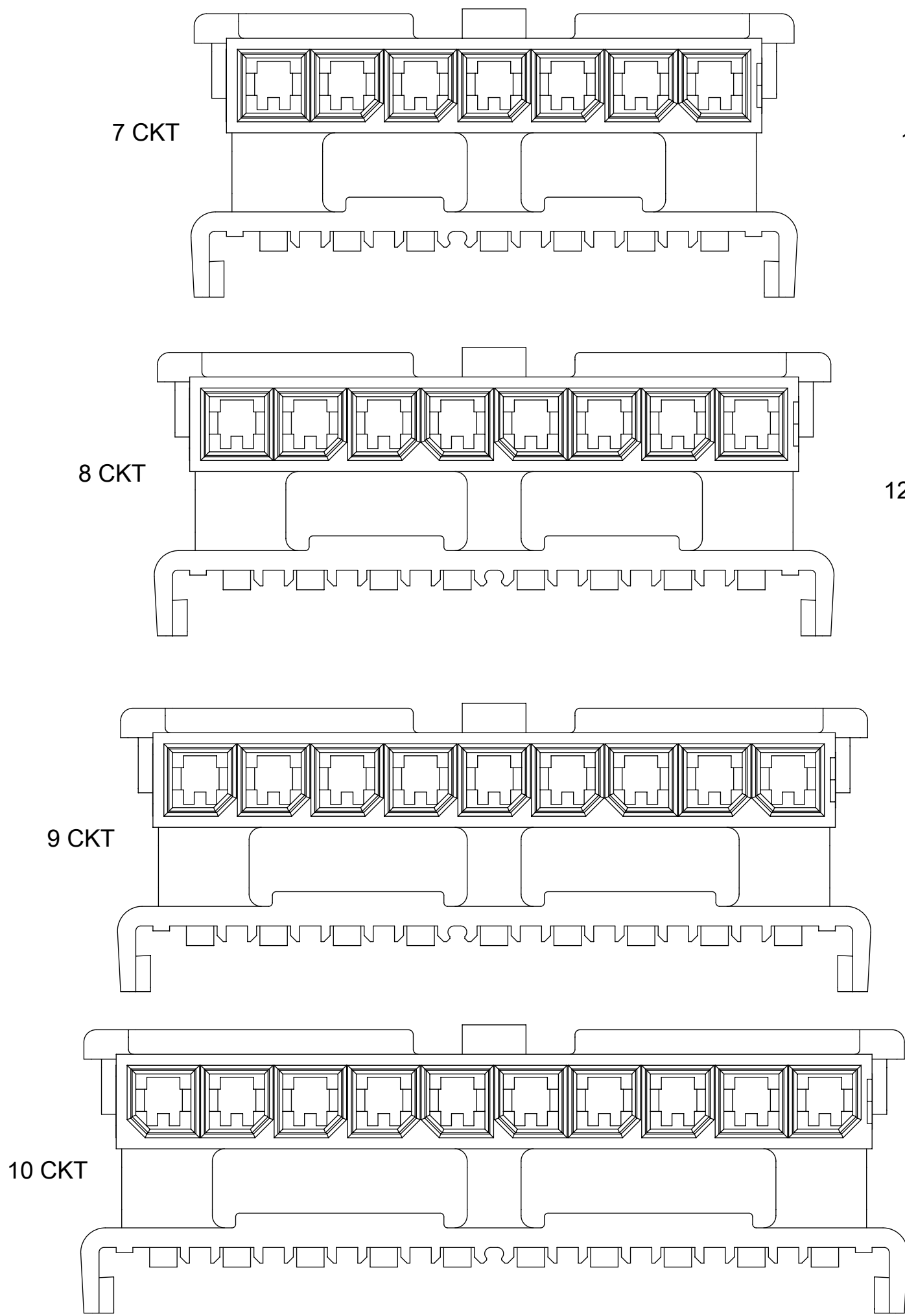
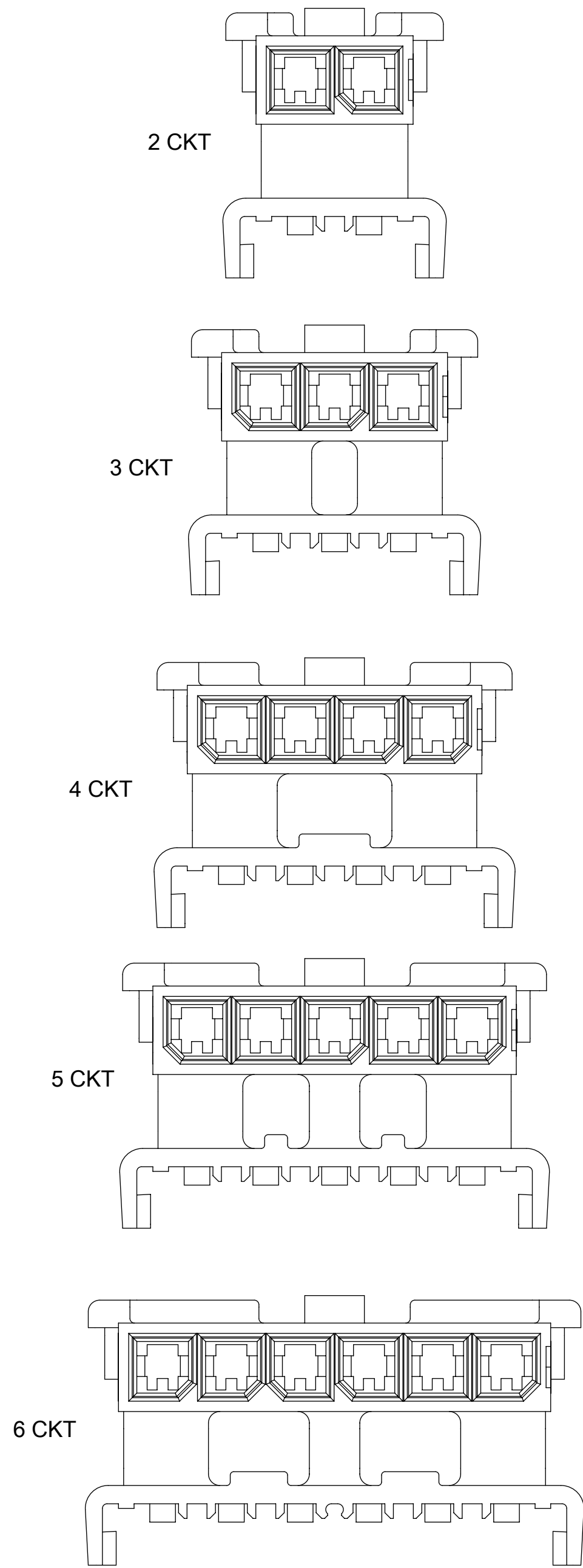


RECOMMENDED PANEL CUT-OUT
(SEE NOTES 14 AND 15)

CIRCUIT SIZE	FREE HANGING PART NUMBER	PANEL MOUNTED PART NUMBER	DIM A	DIM C	DIM E	DIM G	DIM H
2	2008750002	2008750102	3.00	6.85	9.74	7.21	10.89
3	2008750003	2008750103	6.00	9.85	12.74	10.21	13.89
4	2008750004	2008750104	9.00	12.85	15.74	13.21	16.89
5	2008750005	2008750105	12.00	15.85	18.74	16.21	19.89
6	2008750006	2008750106	15.00	18.85	21.74	19.21	22.89
7	2008750007	2008750107	18.00	21.85	24.74	22.21	25.89
8	2008750008	2008750108	21.00	24.85	27.74	25.21	28.89
9	2008750009	2008750109	24.00	27.85	30.74	28.21	31.89
10	2008750010	2008750110	27.00	30.85	33.74	31.21	34.89
11	2008750011	2008750111	30.00	33.85	36.74	34.21	37.89
12	2008750012	2008750112	33.00	36.85	39.74	37.21	40.89

SYMBOLS										THIS DRAWING CONTAINS INFORMATION THAT IS PROPRIETARY TO MOLEX ELECTRONIC TECHNOLOGIES, LLC AND SHOULD NOT BE USED WITHOUT WRITTEN PERMISSION									
DIMENSION UNITS		SCALE		CURRENT REV DESC: ADD PANEL MOUNT															
mm		4:1		molex MICRO-FIT TPA SINGLE ROW PLUG HOUSING PRODUCT CUSTOMER DRAWING															
GENERAL TOLERANCES (UNLESS SPECIFIED)														EC NO: 620281 DRWN: AFAVAZZA 2019/06/28 CHK'D: SSOUSEK 2019/07/16 APPR: FSMITH 2019/08/12					
ANGULAR TOL		± °		INITIAL REVISION:															
4 PLACES		±		DRWN: TGREGORI 2017/01/05															
3 PLACES		±		APPR: RHODGE 2017/01/06															
2 PLACES		± 0.25		DOCUMENT NUMBER															
1 PLACE		± 0.35		2008750000-SD															
0 PLACES		±		DOC TYPE DOC PART REVISION															
DRAFT WHERE APPLICABLE MUST REMAIN WITHIN DIMENSIONS		THIRD ANGLE PROJECTION		DRAWING		SERIES		MATERIAL NUMBER		CUSTOMER		SHEET NUMBER							
				C-SIZE		200875		GENERAL MARKET		PSD 000		D1 2 OF 3							

POLARIZATION LAYOUT



THIS DRAWING CONTAINS INFORMATION THAT IS PROPRIETARY TO MOLEX ELECTRONIC TECHNOLOGIES, LLC AND SHOULD NOT BE USED WITHOUT WRITTEN PERMISSION										
SYMBOLS		DIMENSION UNITS		SCALE		CURRENT REV DESC: ADD PANEL MOUNT				
▽ = 0	▽ = 0	mm	5:1			molex MICRO-FIT TPA SINGLE ROW PLUG HOUSING PRODUCT CUSTOMER DRAWING				
▽ = 0	▽ = 0	GENERAL TOLERANCES (UNLESS SPECIFIED)								
▽ = 0	▽ = 0	ANGULAR TOL ± °				EC NO: 620281 DRWN: AFAVAZZA 2019/06/28 CHK'D: SSOUSEK 2019/07/16 APPR: FSMITH 2019/08/12				
▽ = 0	▽ = 0	4 PLACES ±				INITIAL REVISION: DRWN: TGREGORI 2017/01/05 APPR: RHODGE 2017/01/06				
▽ = 0	▽ = 0	3 PLACES ±				DOCUMENT NUMBER		DOC TYPE	DOC PART	REVISION
▽ = 0	▽ = 0	2 PLACES ± 0.25				2008750000-SD		PSD	000	D1
▽ = 0	▽ = 0	1 PLACE ± 0.35				MATERIAL NUMBER		CUSTOMER		SHEET NUMBER
▽ = 0	▽ = 0	0 PLACES ±				SEE TABLE		GENERAL MARKET		3 OF 3
▽ = 0	▽ = 0	DRAFT WHERE APPLICABLE MUST REMAIN WITHIN DIMENSIONS		THIRD ANGLE PROJECTION		DRAWING	SERIES			
▽ = 0	▽ = 0					C-SIZE	200875			

DOCUMENT STATUS	P1	RELEASE DATE	2019/08/12	17:18:27
-----------------	----	--------------	------------	----------