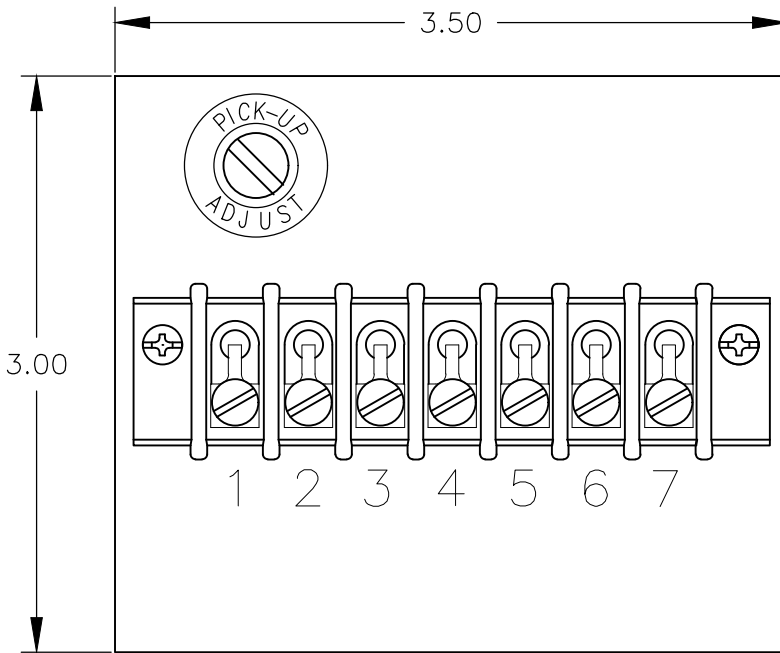


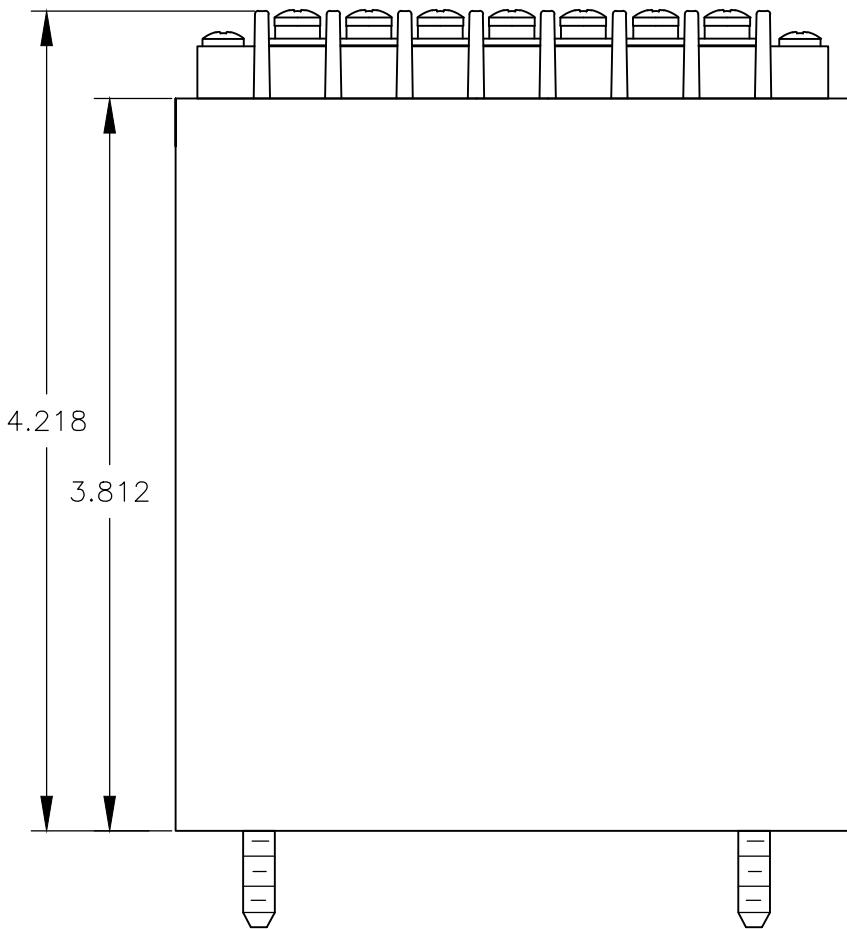
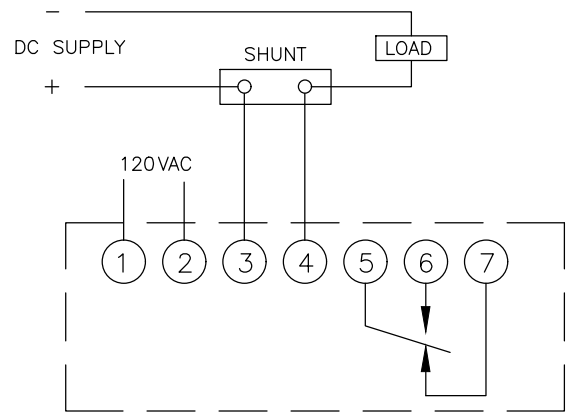
1100-DC OVER CURRENT RELAY

REVISIONS

REV.	ECO	DESCRIPTION	DATE	APPROVED
A	-	INITIAL DRAWING	06NOV2020	TN



CONNECTIONS



STE
TE CONNECTIVITY
CARPINTERIA, CA 93013

TITLE

DC OVER CURRENT RELAY

TE P.N.

-

DWG NO.

1100DC

DS DATA SHEET

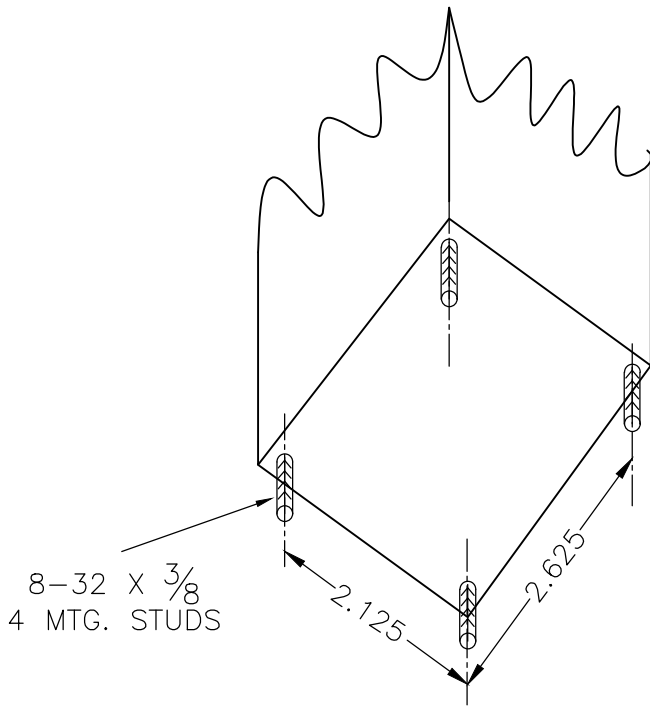
CAGE CODE
18741

SCALE
NONE

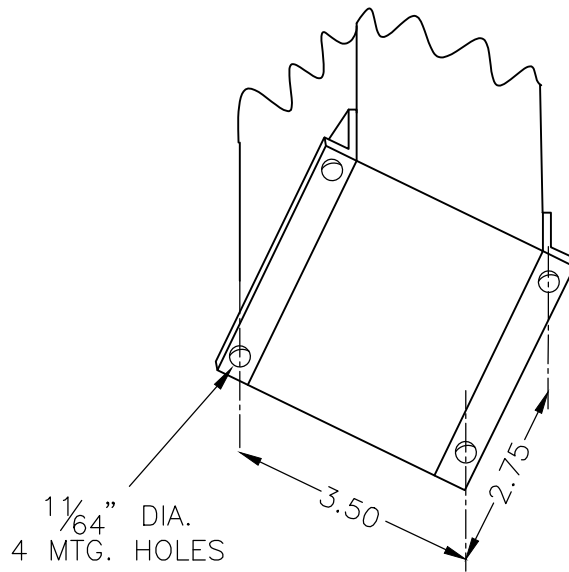
SHEET
1 OF 2

REV
A

MOUNTING CONFIGURATIONS



MODEL 1100DC




MODEL 1100DCX

SPECIFICATIONS

1. CURRENT REQUIREMENTS : TO PRODUCE 0 TO 50 MILLIVOLT DROP ACROSS A D.C. SHUNT.
2. CONTROL VOLTAGE : 120VAC, 50/60Hz.
3. OPERATION : THE SELF CONTAINED OUTPUT RELAY ACTUATES WHEN THE CURRENT(VOLTAGE DROP) EXCEEDS THE PRESET VALUE.
4. TRIP POINT : SCREWDRIVER ADJUSTABLE TO ANY VALUE BETWEEN 10 MILLIVOLTS AND 50 MILLIVOLTS.
5. OUTPUT CONTACTS : SPDT
6. CONTACT RATING : 5 AMP. RESISTIVE AT 120VAC OR 28VDC.
7. CONSTRUCTION : SOLID STATE SENSOR WITH RELAY OUTPUT ENCLOSED IN A SEALED STEEL CAN.

NOTES.

1. REMOVE BLACK SCREW FOR ACCESS TO PICK-UP ADJUSTMENT.
2. CLOCKWISE ROTATION OF THE ADJUSTMENT POTENTIOMETER WILL RAISE THE PICK-UP POINT.
3. CONTACTS ARE SHOWN IN THE DE-ENERGIZED POSITION.

 TE CONNECTIVITY CARPINTERIA, CA 93013		TITLE DC OVER CURRENT RELAY			
		TE P.N. -		DWG NO. 1100DC	
DS	DATA SHEET	CAGE CODE 18741	SCALE NONE	SHEET 2 OF 2	REV A