

Flush-type socket - SACC-CI-M12FSY-8CON-L180 TOR32 - 1413445

Please be informed that the data shown in this PDF Document is generated from our Online Catalog. Please find the complete data in the user's documentation. Our General Terms of Use for Downloads are valid (<http://phoenixcontact.com/download>)



Hybrid flush-type socket, Ethernet, 8-pos., M12-SPEEDCON, with straight solder connection, tape-on-reel packing


M12 female contact carrier, straight

Your advantages

- ✓ Reduced mounting costs thanks to two-piece device connector
- ✓ Packaging available for automated pick and place assembly
- ✓ All common pin assignments and codings available
- ✓ Easy device integration thanks to mechanical port screw connections with threaded attachment, press-in contour or direct integration in the front plate



Key Commercial Data

Packing unit	100 pc
Minimum order quantity	100 pc
GTIN	 4 046356 999076
GTIN	4046356999076

Technical data

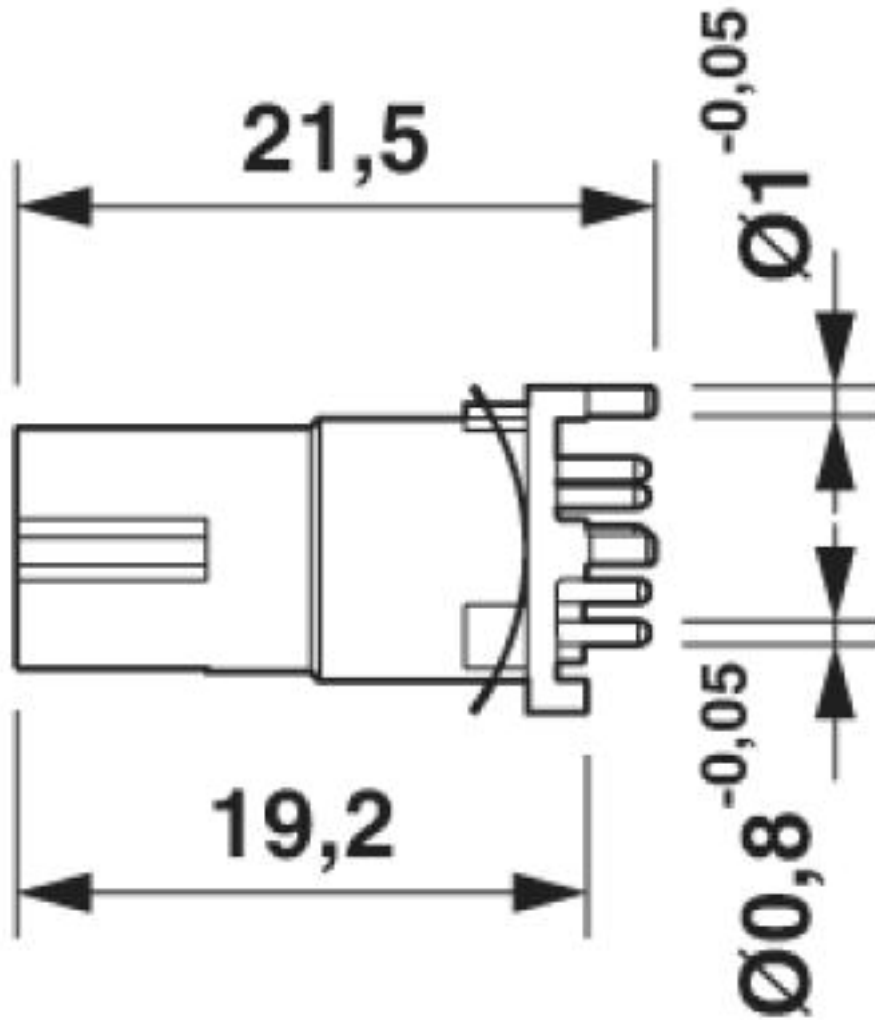
Environmental Product Compliance

	Lead 7439-92-1
China RoHS	Environmentally Friendly Use Period = 50
	For details about hazardous substances go to tab "Downloads", Category "Manufacturer's declaration"

Drawings

Flush-type socket - SACC-CI-M12FSY-8CON-L180 TOR32 - 1413445

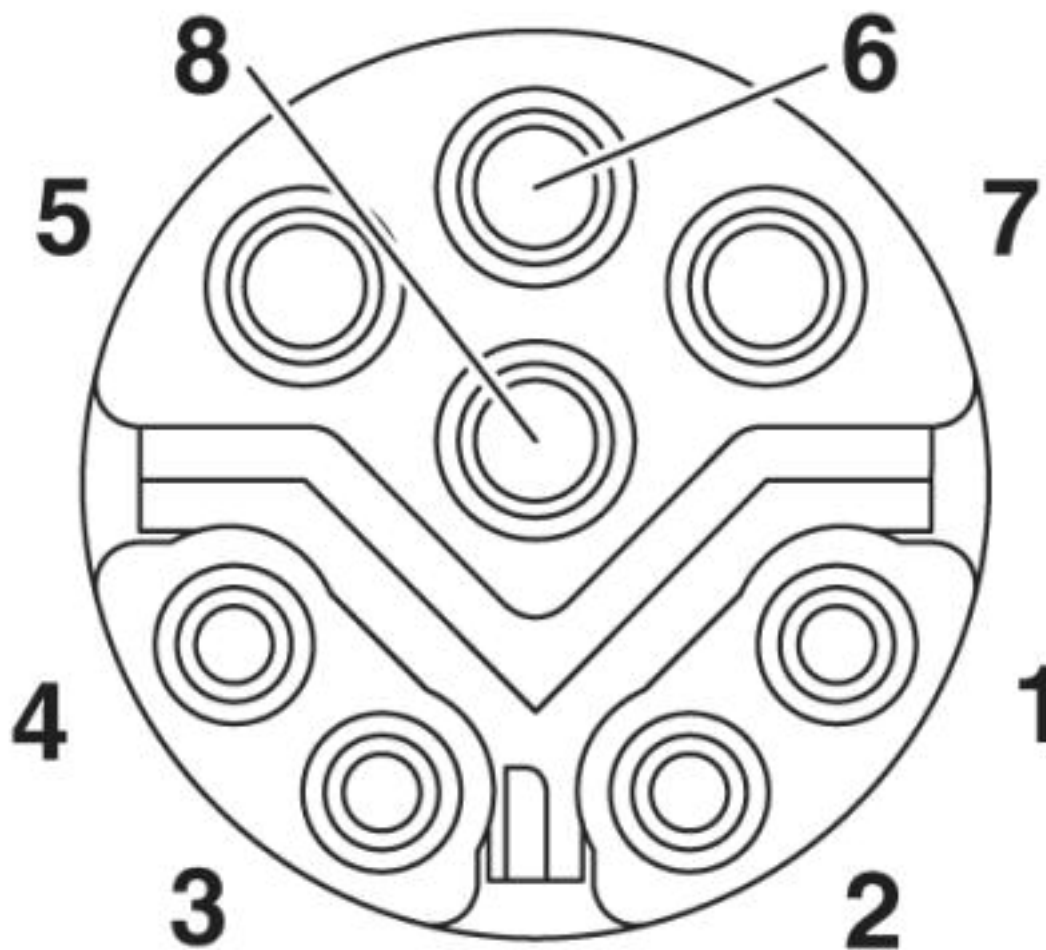
Dimensional drawing



M12 female connector contact carrier

Flush-type socket - SACC-CI-M12FSY-8CON-L180 TOR32 - 1413445

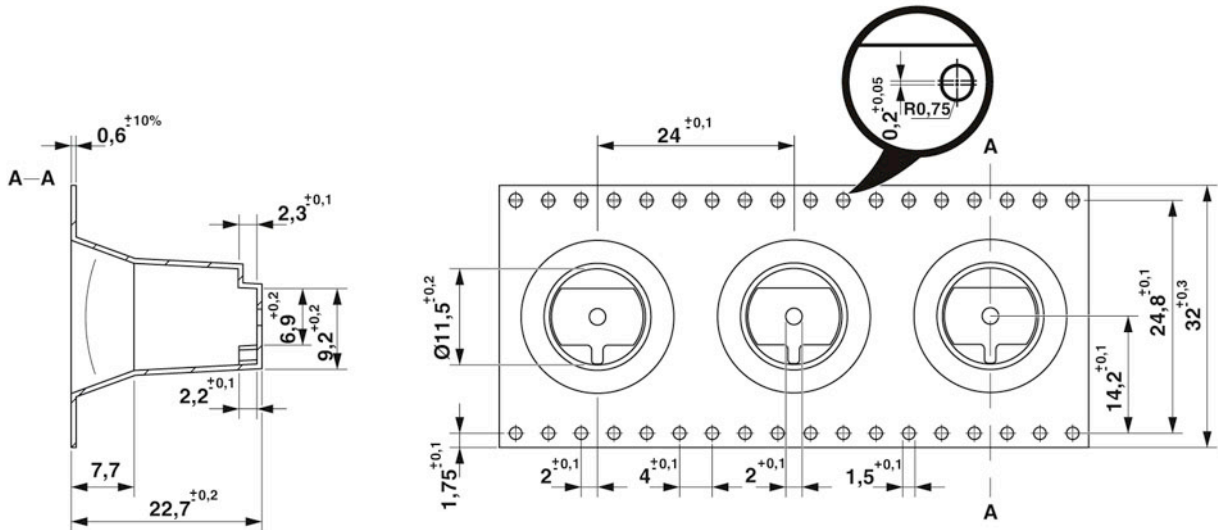
Schematic diagram



Pin assignment M12 connector, 8-pos., view socket side

Flush-type socket - SACC-CI-M12FSY-8CON-L180 TOR32 - 1413445

Dimensional drawing



Dimensions belt

Approvals

Approvals

Approvals


UL Recognized / cUL Recognized / cULus Recognized


Ex Approvals


Flush-type socket - SACC-CI-M12FSY-8CON-L180 TOR32 - 1413445

Approvals

Approval details

UL Recognized		http://database.ul.com/cgi-bin/XYV/template/LISEXT/1FRAME/index.htm E335024-20120308
Nominal voltage UN		30 V
Nominal current IN		4.5 A

cUL Recognized		http://database.ul.com/cgi-bin/XYV/template/LISEXT/1FRAME/index.htm E335024-20120308
Nominal voltage UN		30 V
Nominal current IN		4.5 A

cULus Recognized		
------------------	---	--

Phoenix Contact 2019 © - all rights reserved
<http://www.phoenixcontact.com>

PHOENIX CONTACT GmbH & Co. KG
Flachsmarktstr. 8
32825 Blomberg
Germany
Tel. +49 5235 300
Fax +49 5235 3 41200
<http://www.phoenixcontact.com>