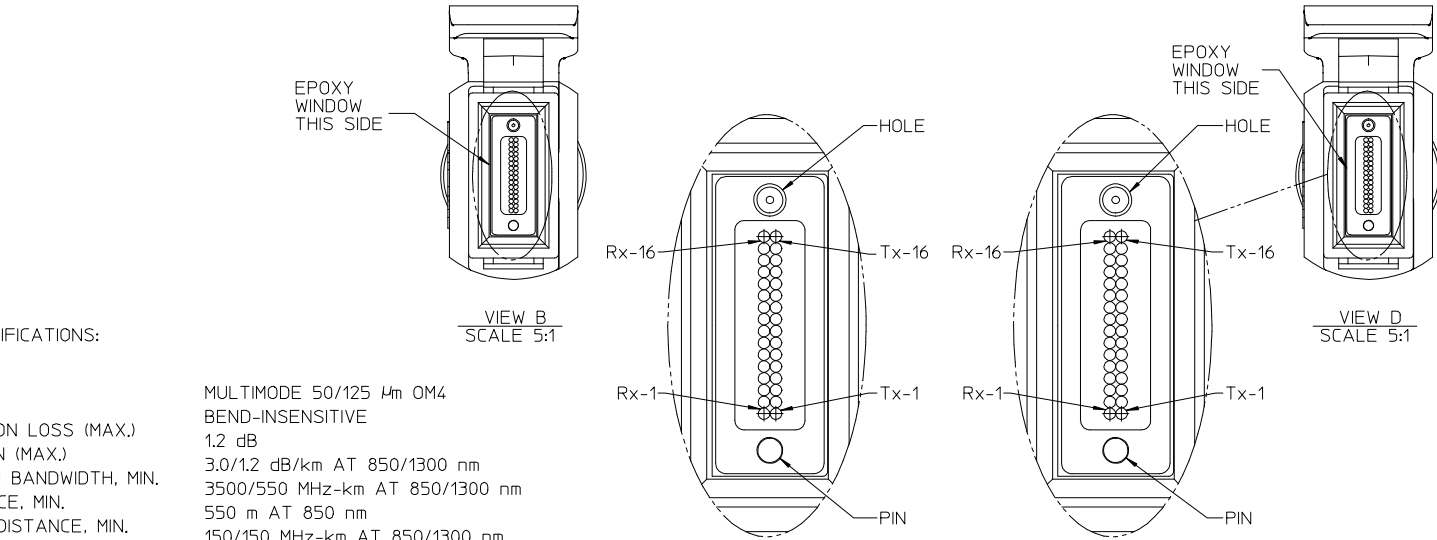
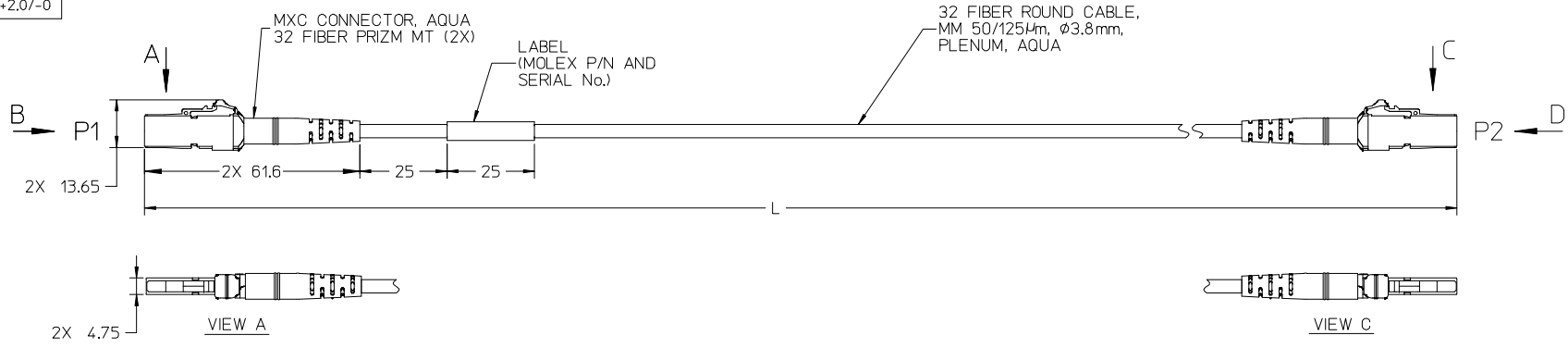


MXC CABLE ASSY P/N	OVERALL LENGTH L (m)
106210-1001	1.0 +0.2/-0
106210-1003	3.0 +0.2/-0
106210-1005	5.0 +0.2/-0
106210-1010	10.0 +0.3/-0
106210-1015	15.0 +0.3/-0
106210-1020	20.0 +0.4/-0
106210-1050	50.0 +1.0/-0
106210-1100	100.0 +2.0/-0

CONNECTIONS	
P1	P2
Rx-1 THRU Rx-16	Tx-1 THRU Tx-16
Tx-1 THRU Tx-16	Rx-1 THRU Rx-16



NOTES:

CABLE ASSEMBLY SPECIFICATIONS:

OPTICAL PROPERTIES

FIBER TYPE

CONNECTOR INSERTION LOSS (MAX.)

CABLE ATTENUATION (MAX.)

OVERFILLED LAUNCH BANDWIDTH, MIN.

10 GbE LINK DISTANCE, MIN.

40 & 100 GbE LINK DISTANCE, MIN.

EFFECTIVE MODAL BANDWIDTH

ENVIRONMENTAL PROPERTIES

CONNECTOR MATERIALS

CABLE FLAMMABILITY RATING

OPERATING TEMPERATURE RANGE

MECHANICAL PROPERTIES

FIBER COUNT

CABLE MIN. BEND RADIUS

SHORT TERM

LONG TERM

NO LOAD

COMPRESSIVE FORCE

MULTIMODE 50/125  $\mu$ m OM4  
 BEND-INSENSITIVE  
 1.2 dB  
 3.0/1.2 dB/km AT 850/1300 nm  
 3500/550 MHz-km AT 850/1300 nm  
 550 m AT 850 nm  
 150/150 MHz-km AT 850/1300 nm  
 4700 MHz-km

UL94 V-0  
 PLENUM OFNP (NFPA 262/UL 910)  
 0°C TO +60°C

32F = 16 Rx / 16 Tx

57 mm  
 20 mm  
 12.5 mm  
 >3.5 N/mm

ENTER DESCRIPTION EC NO: MF2016-0517 DRWN: IGUMIN 2016/04/12 CHKD: IGUMIN APPR: IGUMIN 2016/04/20 REV 4	QUALITY SYMBOLS ▽=0 ▽=0	GENERAL TOLERANCES (UNLESS SPECIFIED)		DIMENSION STYLE	SCALE	DESIGN UNITS	THIRD ANGLE PROJECTION
				MM ONLY	1:1	INCH	
				DRAWN BY	DATE	TITLE	
				CHECKED BY	DATE	MOLEX MXC OPTICAL CABLE ASSEMBLY	
				APPROVED BY	DATE		
				MATERIAL NO.	DOCUMENT NO.	SHEET NO.	
				SEE TABLE	SD-106210-1001	1 OF 1	
				DRAFT WHERE APPLICABLE MUST REMAIN WITHIN DIMENSIONS			
				THIS DRAWING CONTAINS INFORMATION THAT IS PROPRIETARY TO MOLEX INCORPORATED AND SHOULD NOT BE USED WITHOUT WRITTEN PERMISSION			